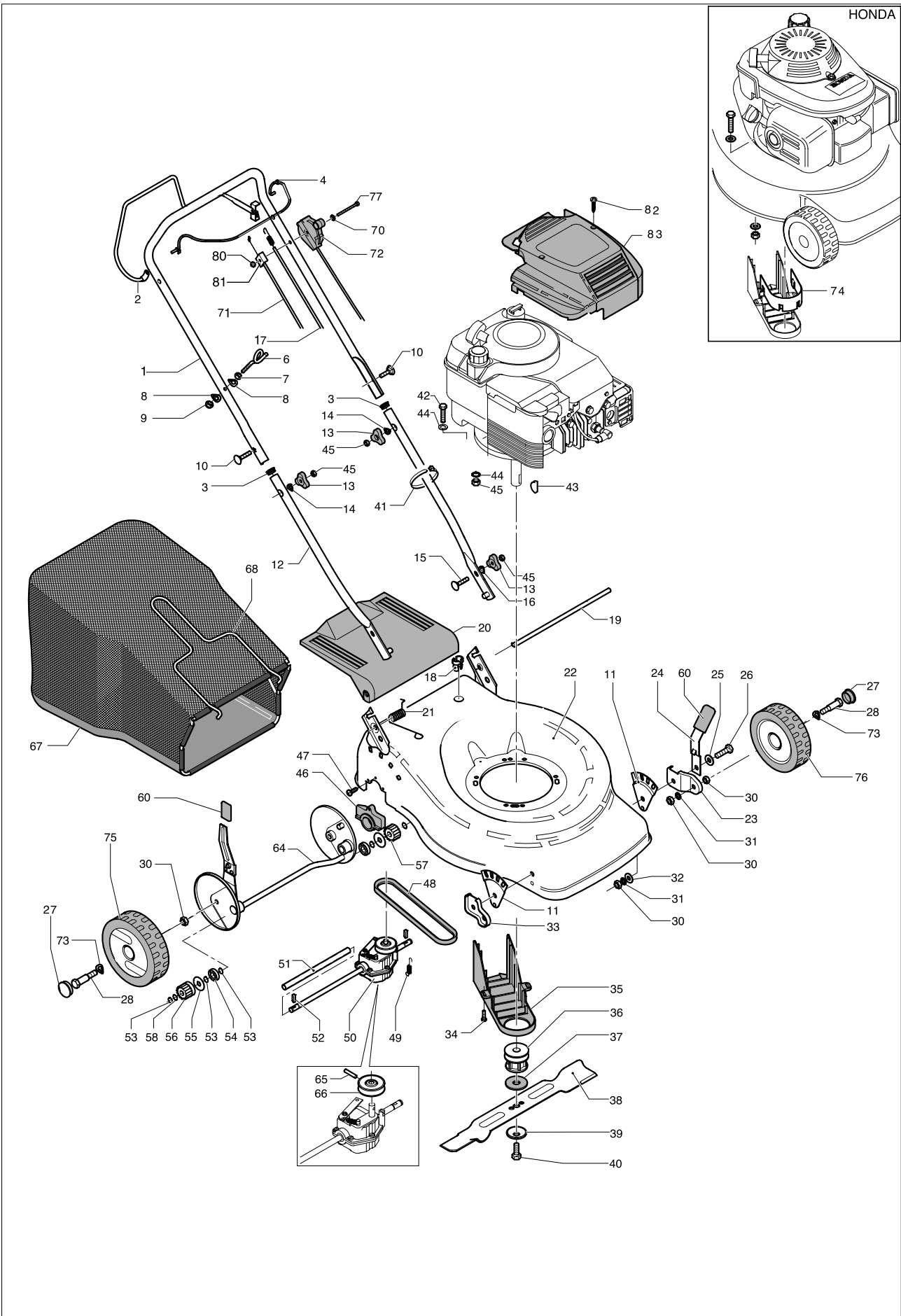


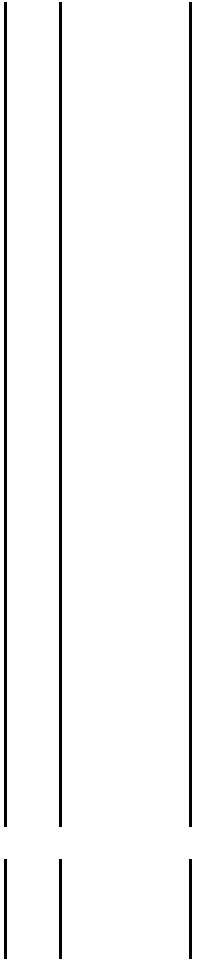
| PNC       | Type/Prefix/nd | Model         | Brand      |
|-----------|----------------|---------------|------------|
| 953878295 |                | ER 651SP      | ERMA       |
| 953878068 |                | P 5051SD      | PARTNER    |
| 953878051 |                | M 5051SD (04) | MC CULLOCH |
| 953878196 |                | MP 651SP      | MEP        |
| 953878197 |                | MP 651SP      | MEP        |

Number of Pages 1 of 3

|                                 |                           |                              |
|---------------------------------|---------------------------|------------------------------|
| <b>Factory: ILY - Parabiago</b> |                           | <b>Product Group: ON 107</b> |
| <b>Publication Number:</b>      | <b>EIPL2005_PP0502001</b> | <b>Petrol Wheeled</b>        |
| <b>Publication Date:</b>        | <b>10/02/05</b>           | <b>Sub Group: 1073</b>       |



| Pos. | PN ELX    | MEP P/n°  | DESCRIPTION       | Q.ty | Pos. | PN ELX    | MEP P/n°  | DESCRIPTION     | Q.ty |
|------|-----------|-----------|-------------------|------|------|-----------|-----------|-----------------|------|
| 1    | 531205204 | 10121743  | HANDLE UPPER      | 1    | 41   | 531205581 | 10135600  | CLAMP           | 2    |
| 2    | 531205208 | 10121823  | CLUTCH HANDLE     | 1    | 42   | 531205196 | 10121700  | SCREW           | 3    |
| 3    | 531208950 | 20833303  | PLUG              | 2    | 43   | 531204907 | 10100900  | KEY             | 1    |
| 4    | 531205168 | 10121463  | BRAKE HANDLE      | 1    | 44   | 531207981 | 20106200  | WASHER          | 6    |
| 6    | 531205169 | 10121470  | CABLE HOOK        | 1    | 45   | 531207982 | 20106300  | NUT             | 7    |
| 7    | 531207165 | 10501200  | NUT               | 1    | 46   | 531205944 | 10146093  | SUPPORT         | 2    |
| 8    | 531204961 | 10115900  | WASHER            | 2    | 47   | 531208216 | 20135720  | SCREW           | 3    |
| 9    | 531208491 | 20281800  | NUT               | 1    | 48   | 531206303 | 10160220  | BELT-Z29-       | 1    |
| 10   | 531207089 | 10402401  | SCREW             | 2    | 49   | 531205216 | 10121920  | SPRING          | 1    |
| 11   | 531210608 | 10146890  | SUPPORT           | 2    | 50   | 531212899 | 9155600   | GEAR-BOX        | 1    |
| 12   | 531206071 | 10150133  | HANDLE LOWER      | 2    | 51   | 531207697 | 10766503  | SPACER TUBE     | 1    |
| 13   | 531204923 | 10114303  | KNOP              | 4    | 52   | 531205108 | 10121160  | KEY             | 2    |
| 14   | 531207090 | 10402402  | WASHER            | 2    | 53   | 531208772 | 20655800  | SEEGER          | 6    |
| 15   | 531204921 | 10114100  | SCREW             | 2    | 54   | 531208778 | 20657600  | BALL-BEARING    | 2    |
| 16   | 531204922 | 10114200  | WASHER            | 2    | 55   | 531207847 | 10831200  | WASHER          | 2    |
| 17   | 531206191 | 10155290  | CABLE             | 1    | 56   | 531205045 | 10120160  | PINION          | 1    |
| 18   | 531205557 | 10135413  | CABLE LOCK        | 1    | 57   | 531205046 | 10120170  | PINION          | 1    |
| 19   | 531205060 | 10120530  | TIE ROD           | 1    | 58   | 531208859 | 20761300  | WASHER          | 2    |
| 20   | 531205982 | 10146211  | DEFLECTOR-Yellow- | 1    | 60   | 531207986 | 20107203  | SHEATING        | 3    |
| 20   | 531205983 | 10146212  | DEFLECTOR-Red-    | 1    | 64   | 531213444 | 1012109ZC | AXLE            | 1    |
| 21   | 531205999 | 10146330  | SPRING            | 1    | 65   | 531207703 | 10768400  | RESILIENT PIN   | 1    |
| 22   | 531213326 | 10187611  | DECK-Yellow-      | 1    | 66   | 531208899 | 20768203  | PULLEY          | 1    |
| 22   | 531213577 | 10187612  | DECK-Red-         | 1    | 67   | 531213264 | 10187553  | GRASS BAG       | 1    |
| 23   | 531212458 | 201073ZC1 | SUPPORT           | 1    | 68   | 531213262 | 10187523  | GRASS BAG FRAME | 1    |
| 24   | 531212457 | 2010720ZC | LEVER             | 2    | 71   | 531213434 | 10173930  | BRAKE\CABLE-B&S | 1    |
| 25   | 531206020 | 10146530  | WASHER            | 2    | 72   | 531206210 | 10155360  | ACCEL. -B&S-    | 1    |
| 26   | 531204912 | 10107100  | SCREW             | 2    | 72   | 531205096 | 10121010  | ACCEL. -Tecna-  | 1    |
| 27   | 531204936 | 10114804  | PLUG-Grey-        | 4    | 72   | 531206030 | 10146670  | ACCEL. -Honda-  | 1    |
| 27   | 531210538 | 10114801  | PLUG-Yellow-      | 4    | 73   | 531206644 | 10275100  | WASHER          | 4    |
| 28   | 531205042 | 10120090  | SCREW             | 4    | 74   | 531206031 | 10146690  | HOUSING-Honda   | 1    |
| 30   | 531207978 | 20101700  | NUT               | 10   | 75   | 531205021 | 10120054  | WHEEL-Grey      | 2    |
| 31   | 531208974 | 30102100  | WASHER            | 4    | 75   | 531210535 | 10120051  | WHEEL-Yellow    | 2    |
| 32   | 531207989 | 20113000  | WASHER            | 2    | 76   | 531205031 | 10120074  | WHEEL-Grey      | 2    |
| 33   | 531212459 | 201073ZC2 | SUPPORT           | 1    | 76   | 531205029 | 10120071  | WHEEL-Yellow    | 2    |
| 34   | 531207856 | 10831800  | SCREW             | 3    | 77   | 531206212 | 10155420  | SCREW           | 1    |
| 35   | 531213270 | 10187563  | BELT HOUSING      | 1    | 80   | 531205213 | 10121890  | NUT             | 1    |
| 36   | 531206169 | 10155040  | BLADE ADAPTER     | 1    | 81   | 531208043 | 20121983  | CABLE-HOOK      | 1    |
| 37   | 531207243 | 10531700  | WASHER            | 1    | 82   | 531211690 | 10173203  | MOTOR COVER     | 1    |
| 38   | 531206546 | 10177510  | BLADE             | 1    | 83   | 531205823 | 10140983  | SCREW           | 1    |
| 39   | 531207237 | 10530900  | WASHER            | 1    |      |           |           |                 |      |
| 40   | 531208008 | 20120580  | SCREW             | 1    |      |           |           |                 |      |











































































































































































































































































































































































































Vertical lines of varying heights.

Vertical lines of varying heights.

Vertical lines of varying heights.

|















































































































































































































































































































































































































