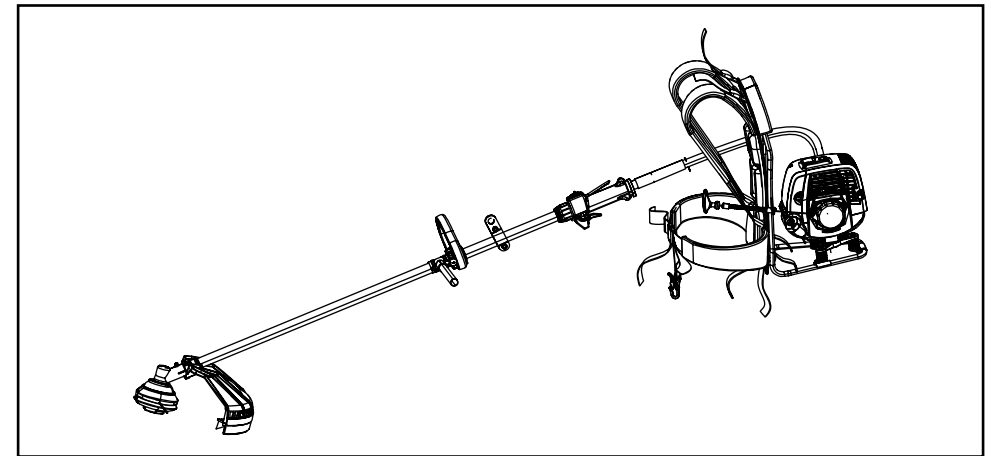


 **Electrolux**
**Elite 4230X BP / Elite 4630X BP**  
**Quattro 52 BP PRO**  
**B 422X BP / B 462X BP / B 522X BP**
**GB****INSTRUCTION MANUAL**

**IMPORTANT INFORMATION:** Please read these instructions carefully and make sure you understand them before using this unit. Retain these instructions for future reference.

**DE**

**BETRIEBSANWEISUNG WICHTIGE INFORMATION:** Lesen Sie diese Hinweise zur Handhabung des Geräts aufmerksam durch. Verwenden Sie es erst, wenn Sie sicher sind, daß Sie alle Anweisungen verstanden haben und gut aufbewahren.

**FR**

**MANUEL D'INSTRUCTIONS RENSEIGNEMENTS IMPORTANTS:** Avant d'utiliser cet appareil, veuillez lire attentivement les instructions et assurez-vous de les avoir comprises. Conservez les instructions pour référence ultérieure.

**NL**

**HANDLEIDING BELANGRIJKE IMPORTANTS:** Lees deze handleiding aandachtig en zorg dat u alles begrijpt alvorens de kettingzaag te gebruiken en be-waar ze voor toekomstige raadpleging.

**NO**

**BRUKERHANDBOK VIKTIG INFORMASJON:** Les disse anvisningene nøye og forsikre deg om at du forstår dem før du bruker enheten og oppbevar dem for senere bruk.

**FI**

**OHJEKIRJA TÄRKEÄÄ TIETOA:** Lue nämä ohjeet huolellisesti ja varmista, että olet ymmärtänyt ne, ennen kuin alat käyttää tätä laitetta ja säilytä myöhempää tarvetta varten.

**SE**

**BRUKSANVISNING VIKTIG INFORMATION:** Läs instruktionerna noggrant och försäkra dig om att du förstår dem innan du använder utrustningen och spara dem för framtida behov.

**DK**

**BRUGERHÅNDBOG VIGTIGE OPLYSNINGER:** Læs instruktionerne omhyggeligt, før du bruger enheden og gemme til senere henvisning.

**ES**

**MANUAL DE INSTRUCCIONES INFORMACIÓN IMPORTANTE:** Lea atentamente las instrucciones y asegúrese de entenderlas antes de utilizar esta aparato. Conserve las instrucciones para la referencia en el futuro.

**PT**

**MANUAL DO OPERADOR INFORMAÇÕES IMPORTANTES:** Queira ler cuidadosamente estas instruções e tenha certeza de entendê-las antes de usar a serra e guarde para consulta futura.

**IT****LIBRETTO D'ISTRUZIONI**

**INFORMAZIONI IMPORTANTI:** Leggere le istruzioni attentamente e capirle bene prima di usare l'utensile. Conservare per ulteriore consultazione.

**HU****HASZNÁLATI ÚTMUTATÓ**

Jótállást vállalni csak rendeltetésszerűen használatba vett gépekre tudunk. Kérj ü hogy a gép használatba vétele előtt gondosan olvassa el a kezelési utasításokat.

**GR**

**ΕΓΧΕΙΡΙΔΙΟ ΧΡΕΙΣΜΟΕ ΣΗΜΑΝΤΙΚΕΣ ΠΛΗΡΟΦΟΡΙΕΣ:** Διαβάστε προσεκτικά αυτές τις οδηγίες και φροντίστε να τις κατανοήσετε από το μηχανήμα και φυλάξτε το για να το συμβουλευέστε στο μέλλον.

**CZ**

**NAVOD K POUŽIVANI DŮLEŽITÁ INFORMACE:** Než začnete stroj používat přečtěte si prosím velmi pozorně tyto instrukce a ujistěte se, že jste jim porozuměli. Uchovejte si tento návod pro použití i v budoucnu.

**PL**

**INSTRUKCJA OBSŁUGI** Gwarancja traci ważność w przypadku uyywania urządzenia do celów innych niż wymienione w instrukcji obsługi. Prosimy o uwayne przeczytanie instrukcji oraz o stowanie się do zaleceń i wskazówek w niej zawartych.

**SK**

**NAVOD NA OBSLUHU DŮLEŽITÁ INFORMÁCIA:** Pred použitím stroja si starostlivo prečítajte tento návod na obsluhu a uistite sa že ste mu dôkladne porozumeli. Návod starostlivo uschovajte pre potrebu v budúcnosti.

**RU**

**РАБОЧИЕ ИНСТРУКЦИИ ТАЖИТЕ СВЕДЕНИЯ:** Внимательно прочитать и понять инструкции перед использованием оборудования. Хранить инструкции для дальнейших консультаций.

**EE**

**KASUTUSJUHEND TAHTIS INFORMATSIOON:** Lugege kasutusjuhend enne seadme kasutamist kindlasti põhjalikult läbi ning veenduge, et olete kõigest täpselt aru saanud.

**LV**

**ROKASGRĀMATA SVĀRĪGA INFORMĀCIJA:** Pirms ierīces izmantošanas uzmanīgi izlasiet rokasgrāmatu un pārliecinieties, ka jūs labi saprotat tās saturu. Saglabājiet rokasgrāmatu, lai nākotnē būtu iespējams atsvaidzināt jūsu zināšanas.

Electrolux Outdoor Products  
Via Como 72  
23868 Valmadrera (Lecco)


**ITALIA**

Phone +39 0341 203111 - Fax +39 0341 581671

www.electrolux.com/mcculloch - www.electrolux.com/partner

Our policy of continuous improvement means that the specification of products may be altered from time to time without prior notice. Electrolux Outdoor Products manufacture products for a number of well known brands under various registered patents, designs and trademarks in several countries.

© Electrolux Outdoor Products Italy

 **The Electrolux Group. The world's No. 1 choice**

The Electrolux Group is the world's largest producer of powered appliances for kitchen, cleaning and outdoor use. More than 55 million Electrolux Group products (such as refrigerators, cookers, washing machines, vacuum cleaners, chain saws and lawn mowers) are sold each year to a value of approx. USD 14 billion in more than 150 countries around the world.



**GB** Due to a constant product improvement programme, the factory reserves the right to modify technical details mentioned in this manual without prior notice.

**DE** Im Sinne des Fortschritts behält sich der Hersteller das Recht vor, technische Änderungen ohne vorherigen Hinweis durchzuführen.

**FR** La Maison se réserve la possibilité de changer des caractéristiques et des données de ce manuel à n'importe quel moment et sans préavis.

**NL** Door konstante produkt ontwikkeling behoud de fabrikant zich het recht voor om technische specificaties zoals vermeld in deze handleiding te veranderen zonder hiervan vooraf bericht te geven.

**NO** Produsenten forbeholder seg all rett og mulighet til å forandre tekniske detaljer i denne manualen uten forhåndsvarsel.

**FI** Jatkuvan tuotteen parannusohjelman tähden valmistaja pidättää oikeuden vaihtaa ilman ennakkovaroitusta tässä ohjekirjasessa mainittuja teknisiä yksityiskohtia.

**SE** Tilverkaren reserverar sig rätten att ändra fakta och uppgifter ur handboken utan förvarning.

**DK** Producenten forbeholder sig ret til ændringer, hvad angår karakteristika og data i nærværende instruktion, når som helst og uden varsel.

**ES** La firma productora se reserva la posibilidad de cambiar las características y datos del presente manual en cualquier momento y sin previo aviso.

**PT** A casa productora se reserva a possibilidade de variar características e dados do presente manual em qualquer momento e sem aviso prévio.

**IT** La casa produttrice si riserva la possibilità di variare caratteristiche e dati del presente manuale in qualunque momento e senza preavviso.

**HU** A gyártó cég fenntartja a jogot arra, hogy a használati utasításban megadott adatokon és technikai tulajdonságokon bármikor és előzetes bejelentés nélkül változtasson.

**GR** Λόγω προγράμματος συνεχοῦς βελτίωσης προϊόντων, το εργοστάσιο επιφυλάσσει το δικαίωμα να τροποποιεί τις τεχνικές λεπτομέρειες που αναφέρονται στο εγχειρίδιο αυτό χωρίς προηγούμενη ειδοποίηση.

**CZ** Vzhledem k pokračujícím inovacím si výrobce vyhrazuje právo minit technické hodnoty uvedené v této příručce bez předchozího upozornění.

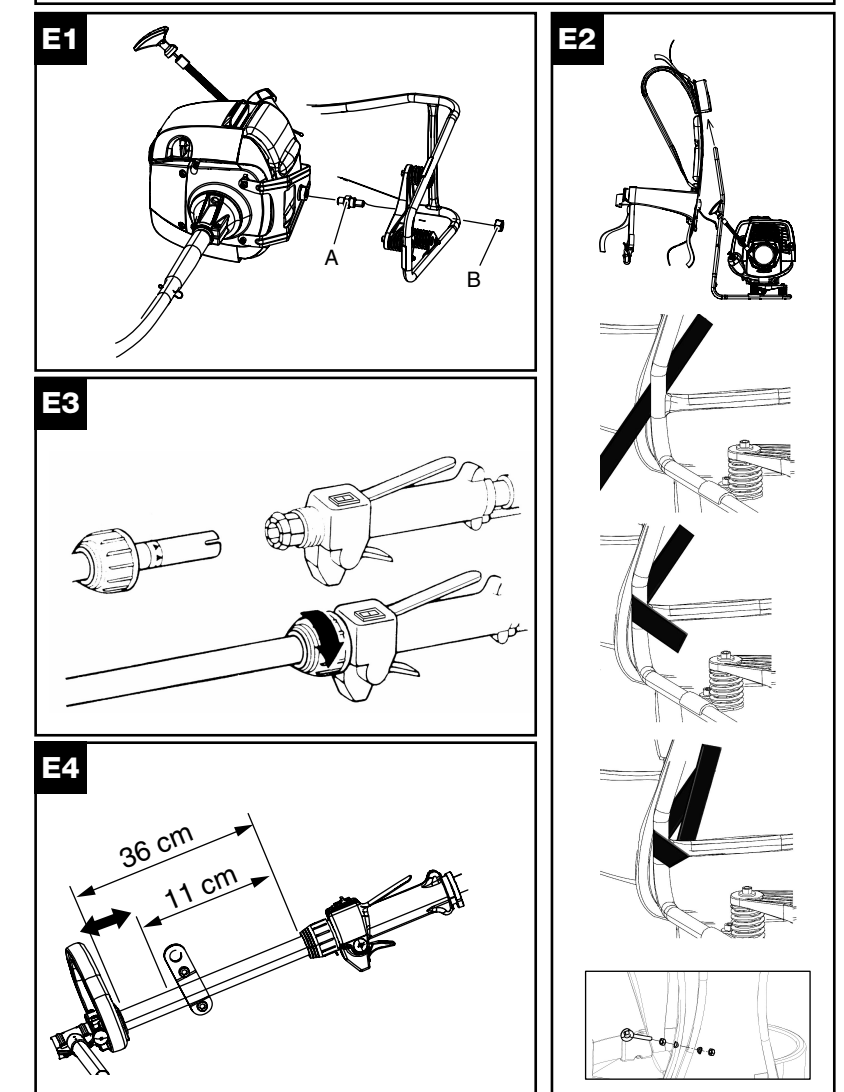
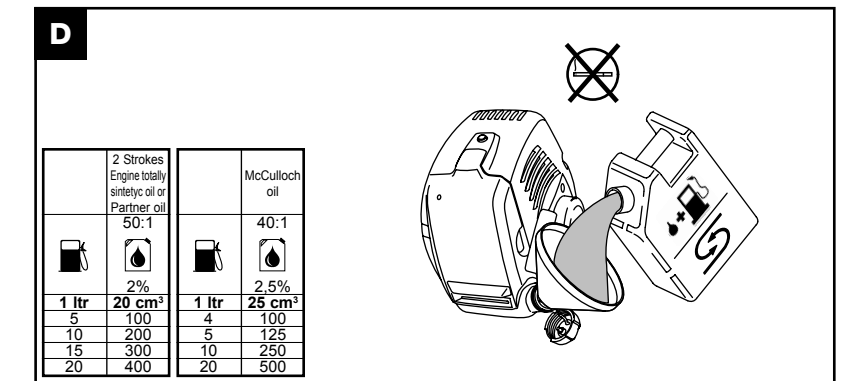
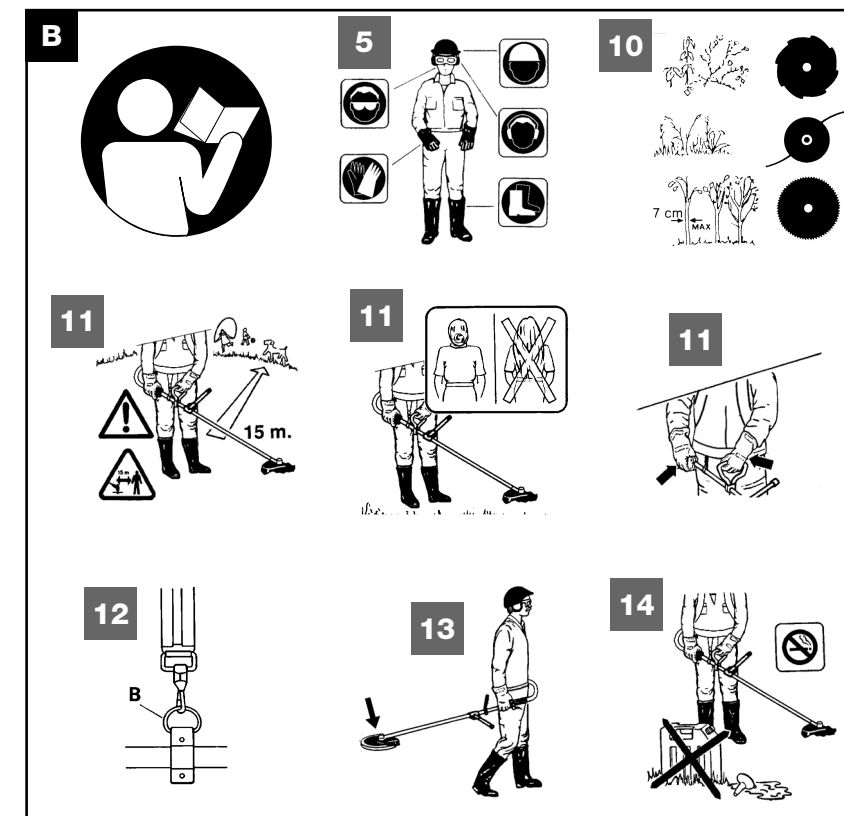
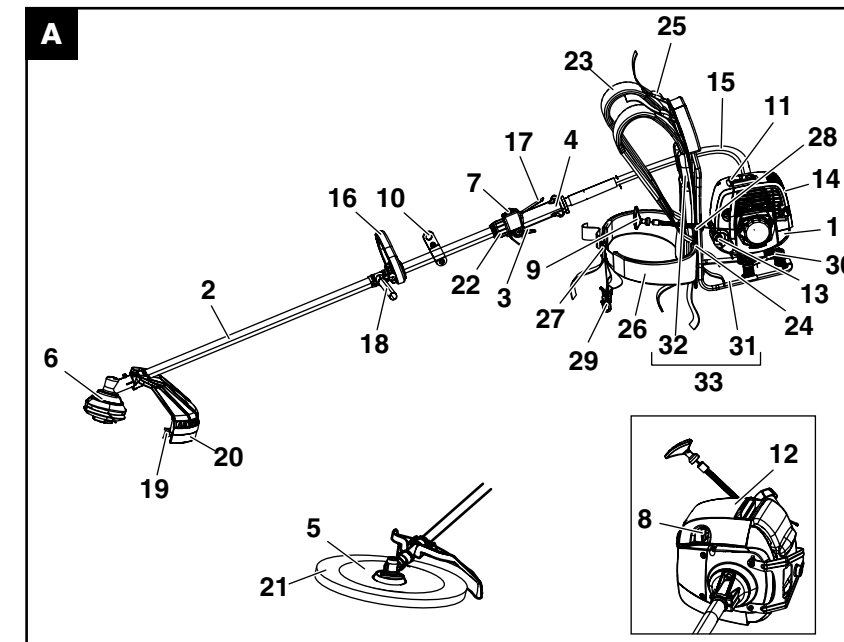
**PL** W związku z programem ciągłego ulepszania swoich wyrobów, producent zastrzega sobie prawo do wprowadzania zmian w szczegółach technicznych wymienionych w tej instrukcji bez uprzedniego zawiadomienia. Instrukcja jest częścią wyposażenia

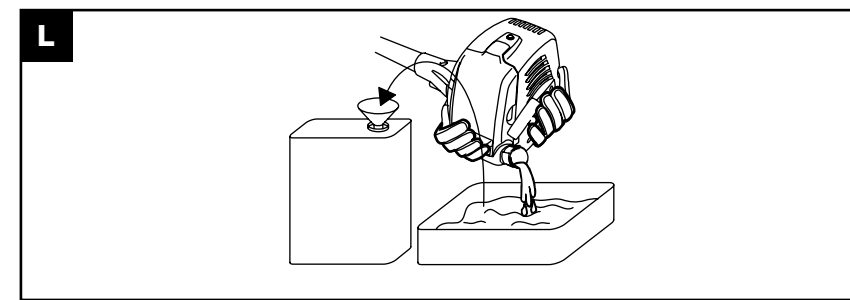
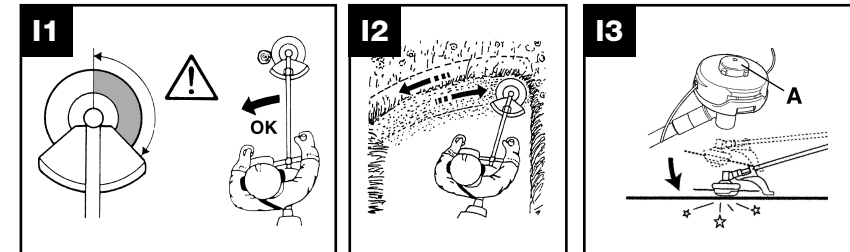
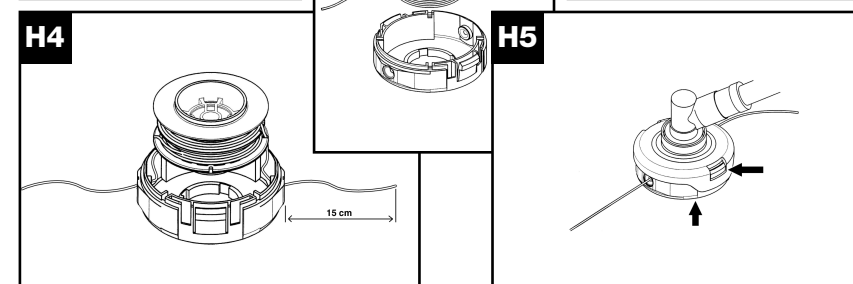
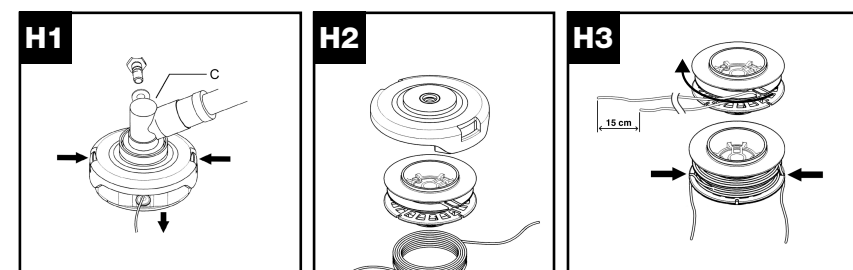
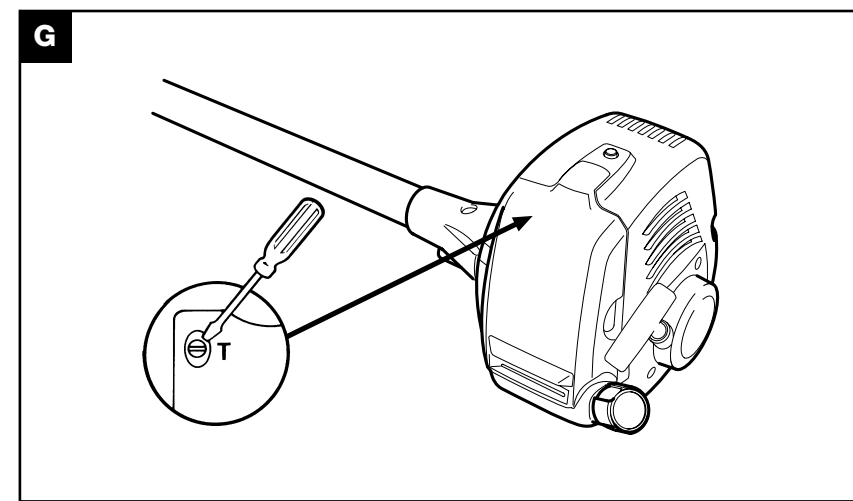
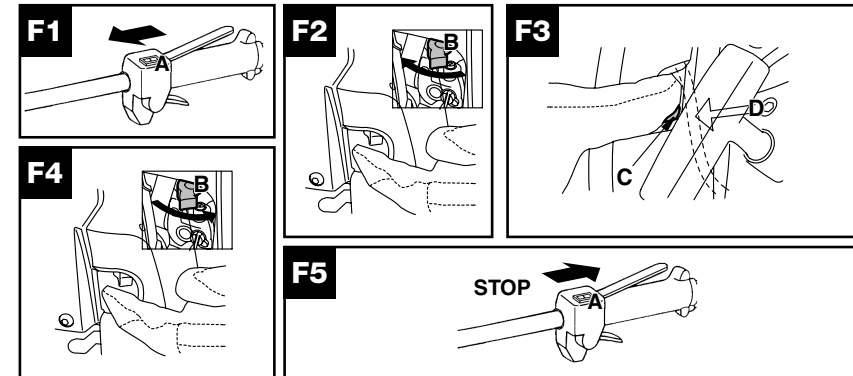
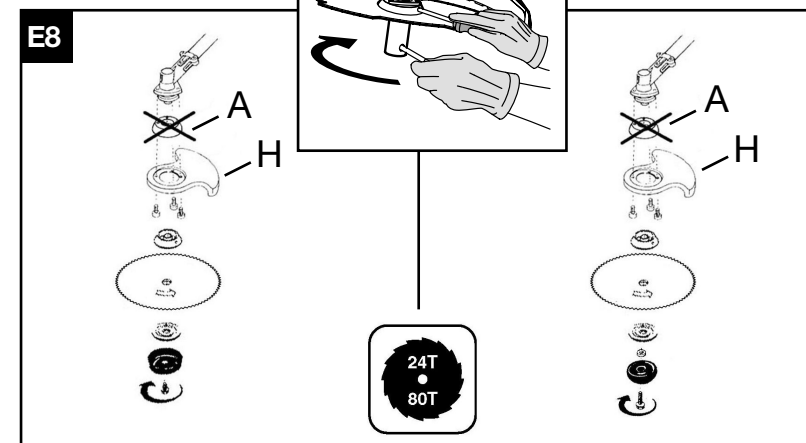
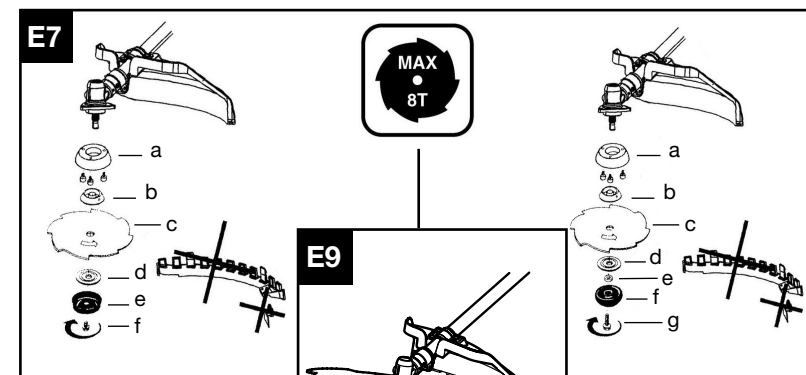
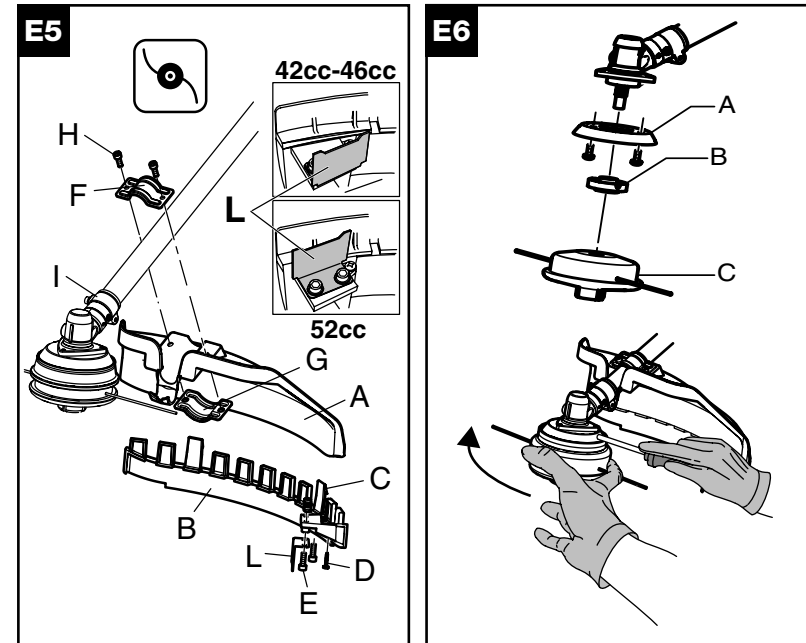
**SK** Proizvajalec si pridržuje pravico, da spremeni značilnosti in podatke pričujočega priročnika v katerem koli trenutku in brez predhodnega obvestila.

**RU** Компания производитель сохраняет за собой право изменять характеристики и данные в настоящем руководстве, в любой момент и без предварительного извещения.

**EE** Tootja jätab endale õiguse muuta käesolevas kasutusjuhendis kirjeldatud omadusi ja andmeid suvalisel hetkel ja sellest eelnevalt ette teatamata.

**LV** Izgatavotājs saglabā tiesības jebkurā brīdī un bez brīdinājuma mainīt šajā rokasgrāmatā esošos datus un raksturlielnes.



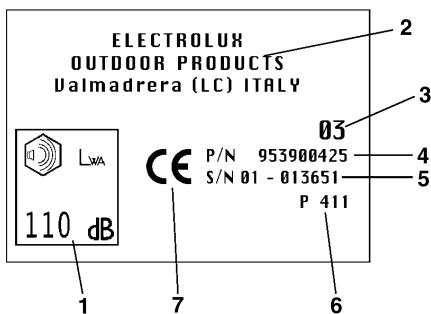


42/46/52cc	
0,095° 2,4 mm 3,0 mm	197" 5000 mm 538249344
	538248960
4T	538026134
4T	538248960
4T	538026135
4T	538248960
8T	538036711
8T	538248960
8T	538036713
8T	538248960
24T	538040998
24T	538240936
24T	538240553
80T	538040953
80T	538240936
80T	538240553

- GB** SUMMARY CHART TO IDENTIFY THE CORRECT GUARD NEEDED, WITH DIFFERENT CUTTING ATTACHMENTS
- DE** ÜBERSICHTSTABELLE ZUR AUSWAHL DES RICHTIGEN SCHUTZBLECHES FÜR DIE EINZELNEN SCHNEIDWERKZEUGE
- FR** TABLEAU RECAPITULATIF POUR LE CORRECT ACCOUPLEMENT LAME OU TÊTE FIL NYLON / DEFENSE DE SECURITE
- NL** OVERZICHTSTABEL OM TE BEPALEN WELKE BESCHERMKAP GEBRUIKT MOET WORDEN BIJ DE DIVERSE MAAI-ONDERDELEN
- NO** TABELL FOR KORREKT MONTERING AV TRÅDSPOLE/ SAGBLAD OG SPRUTSKJÆRM/SIKKERHETSVERN
- FI** TAULOKKO LEIKKAAMAN PÄÄN/TURVASUOJUJUKSEN OIKEASTA YHDISTELMÄSTÄ
- SE** SAMMANFATTANDE TABELL ÖVER KORREKT KOMBINATION AV SKÄRHUVUD/SÄKERHETSSKYDD
- DK** OVERSIGTSTABEL VEDRØRENDE DEN KORREKTE SAMMENSÆTNING AF KNIV OG BESKYTTELSSESKÆRM
- ES** TABLA PARA EL CORRECTO ACOPLAMIENTO DE LA CABEZA CORTANTE Y PROTECTOR DE SEGURIDAD
- PT** TABELA DE RESUMO PARA A CORRETA APLICAÇÃO DA CABEÇA CORTANTE E DEFESA DE SEGURANÇA
- IT** TABELLA RIASSUNTIVA PER IL CORRETTO ABBINAMENTO TESTA TAGLIANTE/DIFESA DI SICUREZZA
- HU** ÖSSZEFOGLALÓ TÁBLÁZAT: A NYÍRÓFEJ ÖSSZEÁLLITÁSA / BALESETVEDELEM
- GR** ΠΕΡΙΛΗΠΤΙΚΟΣ ΠΙΝΑΚΑΣ ΓΙΑ ΤΗΝ ΕΠΙΣΗΜΑΝΣΗ ΤΟΥ ΚΑΤΑΛΛΗΛΟΥ ΠΡΟΦΥΛΑΚΤΗΡΑ, ΜΕ ΔΙΑΦΟΡΑ ΚΟΠΤΙΚΑ ΕΡΓΗΜΑΤΑ
- CZ** SHRNUJÍCÍ TABULKA PRO SPRÁVNOU KOMBINACI REZNÁ HLAVY/BEZPEČNOSTNÍ OCHRANA
- PL** TABELA ZBIORCZA POPRAWNEGO ZESTAWIENIA GŁOWICY TNĄCEJ / OSŁONY ZABEZPIECZAJĄCEJ
- SK** TABELA – POVZETEK ZA PRAVILNO POVEZAVO GLAVI/ ZASCITA
- RU** ОБЗОРНАЯ ТАБЛИЦА ДЛЯ ПРАВИЛЬНОГО СОЧЕТАНИЯ РЕЖУЩЕЙ ГОЛОВКИ / ПРЕДОХРАНИТЕЛЬНОГО УСТРОЙСТВА
- EE** KOKKUVÕTLIK TABEL TRIMMPEEA JA SELLE KAITSME KORREKTSEKS MONTEERIMISEKS
- LV** NOSLĒGUMA TABULA PAREIZAI GRIEŠANAS GALVIŅAS UN DROŠĪBAS AIZSARGA SAVIENOŠANAI

## A. General Description

- |                          |  |
|--------------------------|--|
| 1) ENGINE                | 18) SAFETY POLE GUARD                    |
| 2) SHAFT                 | 19) STRING CUTTER BLADE                  |
| 3) THROTTLE TRIGGER      | 20) NYLON STRING HEAD GUARD<br>EXTENSION |
| 4) REAR CONTROL GRIP     | 21) BLADE GUARD                          |
| 5) BLADE                 | 22) RING                                 |
| 6) NYLON STRING HEAD     | 23) SHOULDER STRAPS                      |
| 7) STOP SWITCH           | 24) SHOULDER STRAP BUCKLE                |
| 8) FUEL ENRICHMENT LEVER | 25) LOAD ADJUSTMENT BUCKLE               |
| 9) STARTER HANDLE        | 26) BELT                                 |
| 10) HARNESS RING         | 27) BELT BUCKLE                          |
| 11) SPARK PLUG           | 28) STARTER KNOB SUPPORT                 |
| 12) AIR FILTER COVER     | 29) SHAFT FASTENER                       |
| 13) FUEL TANK CAP        | 30) ANTIVIBRATION DEVICE                 |
| 14) MUFFLER SHIELD       | 31) FRAME                                |
| 15) FLEXIBLE SHAFT       | 32) PADDING                              |
| 16) DELTA HANDLE         | 33) BACKPACK                             |
| 17) SAFETY LEVER         |  |



Example of identification

### LEGEND:

- 1) Guaranteed noise level according to directive 2000/14/EC
- 2) Manufacturer's name and address'
- 3) Year of manufacture (last two figures; e.g. 03=2003)
- 4) Product code
- 5) Serial no.
- 6) Model/type
- 7) CE marking of conformity

## B. Safety precautions

### Meaning of symbols



Warning.



Safety apparel: Approved protective goggles or visor, approved hard hat and hearing protection.



Read the instructions for the user carefully and make sure you understand how all the controls work.



Safety apparel: Approved gloves.



Safety apparel: Approved boots.



Do not smoke when refueling or using the machine.



Fuel enrichment (starting aid).



Danger of flying debris.



Minimum safety distance 15m.



Emergency stop.



Maximum shaft speed.



Danger of kickback. The blade is capable of amputating arms and legs.



**CAUTION!**

Danger of serious leg injuries. Take scrupulous care to follow the instructions in the manual.



**CAUTION!**

The cutting parts and muffler may get very hot and cause burns. Wait a few minutes before touching them.

**Use of the manual**

- Anyone who uses the machine should have read the entire manual with extreme care.
- All users should be familiar with the operations for use of the machine under absolutely safe conditions as described in this manual, and should be instructed in the proper cutting techniques to use, possibly by practical demonstration.
- Do not allow children or persons who are not familiar with these instructions and are not sufficiently trained to use the brush cutter. Local regulations may specify an age limit for users.
- Keep this manual with the machine when selling or lending it, to enable the future users to familiarize themselves with the product and instructions for safe use.
- All parts of the manual are equally important for the purpose of preventing injury to the operator or damage to the machine. To facilitate your reading, section B is divided into parts that can be called up in the rest of the manual, marked with the "CAUTION" symbol followed by the number of the corresponding paragraph, to concentrate your attention on the main safety procedures related to a particular situation.

**Prior to use**

- Respect of the procedures described in this manual does not eliminate the risks of accidents but does reduce the probability of their occurring or the effect of the damage.
- If you have never used a brush cutter before, practice using it for a while before actually starting to work with it.
- The operator or user is responsible for any damages to third parties or their property, and for any dangers to which they may be subject.
- Do not use this machine for any other purpose than that for which it was designed, using the proper cutting devices as indicated in the instructions.

- Do not use the machine if you are tired, in poor health or under the effects of alcohol or medication that could affect your reactions.
- Make sure you know how to stop the engine and blade if necessary (see section entitled "Starting and stopping the engine").

**1** Inspect the machine carefully before every use, in case of violent impact or signs of malfunction. Make sure the machine is correctly assembled, and all its parts are working properly. Make sure the screws are all in place and securely tightened. Check operation of the accelerator control block and make sure there is no leakage of fuel. Check that the cutting tool does not move with the motor running at idle speed. Make sure the transmission pipe is properly fastened to the motor joint and the line cutter head or blade are correctly fastened with the screw fastening the blade fully tightened. Check the backpack and make sure the motor is securely fastened to its housing.

**2** Replace any accessories (blades, nylon string heads, guards) which show damage or cracks or appear excessively worn. Have your Authorized Service Center replace any damaged parts. For nylon string heads, use only strings made of flexible material recommended by the manufacturer. For example, you should never use metal wire because it could cause serious injuries to people, property and animals. An unsuitable string could break and turn into a very dangerous missile. In mounting the cutting utensils follow the instructions in the chapter entitled "Usable cutting tools and their installation on the machine". **ABSOLUTELY DO NOT USE THE BRUSH CUTTER IF THE SPECIFIC SAFETY GUARD FOR THE CUTTING DEVICE IN USE IS NOT SECURELY FASTENED** (see chapter "Assembly/disassembly"). Failure to follow this rule can expose you to serious danger such as:

- possible contact with rotating and cutting parts;

• possible contact with flying debris.  
Never use a brush cutter without its safety pole guard correctly in place. Only use blades or nylon string heads clearly marked with a maximum speed of at least 10,500 min<sup>-1</sup>.

**3** Use only original or approved accessories and spare parts, which you can purchase from our official distributors. The use of other accessories and spare parts increases the danger of injury and in this case the manufacturer has no liability for damage to persons or property. Never attempt to use the machine if it is incomplete, defective or has been altered by anyone other than an Authorized Service Center. The risk of accidents increases considerably if maintenance is not carried out regularly in a professional way. In case of doubt contact an authorized service center.

**4** All operations of maintenance, assembly, disassembly and fueling should be done with the machine on a flat, solid surface so that the motor cannot turn over, in a stable position with the motor off, the switch turned to O/STOP, the cutting tool stopped and wearing adequate protective gloves.

#### Apparel

- 5** Dress suitably for the job; wear approved personal protection gear:
- Closely fitting protective clothing (do not wear shorts or loose clothing). Do not wear jewelry that could get caught in moving parts of the machine.
  - Safety boots with non-slip sole, crush-resistant toe cap and protection against cuts (do not wear sandals or work barefoot).
  - Sturdy gloves resistant to cuts and vibrations.
  - Safety visor or protective goggles. Remove the protective film if any.
  - Hearing protection.
  - Hard hat (if there is any risk of falling objects).

#### Health precautions

**6** Avoid prolonged use. Noise and vibrations may be dangerous. Prolonged use of the machine or other equipment expose the operator to vibrations that can cause the White Finger Syndrome (*Syndrome of Raynaud*). This could reduce the sensitivity of the hands in distinguishing different temperatures and cause a general numbness. The operator should therefore check the conditions of the hands and fingers if the machine is used continuously or regularly. If one of the symptoms should appear, consult a doctor immediately. Prolonged use of the machine or other equipment can cause discomfort, stress, fatigue, hearing damage. Wear suitable hearing protection when using the machine. Correct and scrupulous maintenance

can also help to protect you further from the risk of noise and vibration.

**7** Avoid contact of the eyes and skin with any oil or fuel. Do not inhale the gasoline fumes as they are toxic. Do not start or run the motor in closed or poorly ventilated places. The exhaust fumes are poisonous to breathe and can be asphyxiating and even fatal.

#### Work zone

**8** Examine the work area and be careful of any hazards (such as roads, driveways, power lines, hanging tree limbs, etc.). Take special care when working on sloping terrain. Before use, remove any rubbish from the work area such as rocks, broken glass, ropes, metal parts, cans, bottles and any foreign body that could become entangled with rotating parts or be projected dangerously at a distance. Take account of possible hazards that may not be perceived because of the noise of the machine. Make sure there is someone in the vicinity within safe calling distance in case of accident.

#### During use

**9** During use and for a few minutes after switching off the machine, the gearbox and zone near the shaft on which the cutting device is fastened are very hot. The muffler and its guard are very hot during use and after the engine has been switched off, even with the engine running at minimum speed. Contact can cause burns. Do not touch these parts if they are still hot.

**10** Twigs or grass may jam between the safety guard and the blade or nylon string head. Never try to remove this material with the engine running and the blade rotating. Watch out for the rotating parts and hot surfaces of the machine. Contact between the blades and any extraneous objects could cause serious injury to the operator or other people or animals in the vicinity, and could also damage the machine. Cut only the material recommended for each accessory and take care not to let the blades come into contact with rocks, metal parts, etc. The blade is sharp, so be very careful when handling it even with the engine off.

**11** Keep any other persons or animals away from the work zone (minimum distance 15 meters). Since there is a danger when you are working that the blade or nylon string head could throw out grass, dirt, rocks or foreign bodies, when someone approaches switch the engine off or stop the blade or rotating head (see section entitled "*Starting and stopping the engine*"). Fasten your hair above shoulder length. Start the machine in a flat place, in a stable position, making sure the cutting tool does not touch any

obstacles. Use the machine holding it to the right of your body so that the exhaust fumes can escape freely without obstruction from your clothing. While working, grip the brush cutter firmly with both hands. Stand in a stable position on your feet. Keep the grips clean and dry. Do not use the brush cutter while standing on a ladder or other unstable support. You should always be able to control your balance. Never use the machine under extreme weather conditions or in bad weather (very low temperatures, very hot, humid climate, fog, rain, wind, etc.). Keep all parts of your body and clothing away from the blades during startup or when the engine is running. During use, keep the work zone in front of you. Never cut walking backwards as you cannot see possible hazards. Do not put the machine down with the engine running. Never leave the machine alone. Never raise the brush cutter above knee level during cutting.

**12** Before starting to work, put on the supporting device as shown in “*Backpack adjustment*”. Adjust the shaft fastening buckle so that the blade or line cutter head are parallel to the ground. The connection point (fig. **A no.10**) should be held in the original position so as to avoid unbalancing the shaft.

#### Precautions for carrying the machine

**13** Never carry the brush cutter, even for short distances, with the engine running. Switch off the engine and carry it with the blade or nylon string head facing backward. For your safety, during transport and storage, always protect the blade with the guard supplied with the machine (see “*Protection for transport*”). When you transport the brush cutter in a motor vehicle, place it in a stable fixed position so that no fuel leaks out. We recommend emptying the fuel tank whenever you transport the machine.

#### Fire prevention precautions

**14** Never work with the brush cutter in the presence of fire or spilled gasoline. Do not place any inflammable material in the pocket of the backpack. If you have spilt it on yourself, change your clothes at once. Keep the machine

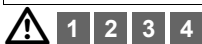
clean by removing any grass cuttings, leaves, excess oil to reduce the fire hazard. Engine exhaust fumes can get very hot and may contain sparks. Do not use the machine near inflammable material. The muffler gets very hot during use and remains hot for some time after switching off the engine. This also applies at idle speed. Take every precaution to reduce the fire hazard, especially in the presence of inflammable materials or gas. Start the engine at a distance from the filling site and far away from any fuel tanks (at least 3 meters).

**15** When filling the fuel tank, dry any spilled fuel. Never add fuel in the tank when the engine is running or hot to avoid the risk of fire (let the engine cool off before filling the tank). Fill the tank outdoor, far from flames or sparks. Do not take the cap off the tank with the engine running. Open the cap on the tank carefully to eliminate any excess pressure. After fueling, close the cap tightly. Take care not to spill any fuel. The fumes produced by the fuel can cause an explosion or fire. Gasoline is highly inflammable: before going near any type of fuel, put out your cigarette, pipe or cigar. Do not smoke or take sources of heat or sparks near the fuel. Never refuel near or over inflammable objects (dry leaves, etc.).


#### Kickback

**16** Machines equipped with blades may produce a violent kickback on contact with solid bodies. The force of the kickback can cause the operator to lose control of the machine. The blade is capable of amputating arms and legs. Always work with a sharp blade. A blade with worn teeth can create problems in cutting and can cause KICKBACK, that is, a violent thrust on the front of the machine caused by the impact of the blade against wood or solid foreign bodies. This kickback can cause loss of control of the machine. Never sharpen a damaged blade: replace with a new one. Kickback can also occur when cutting with any type of blade in the hazardous zone (see **I1**). Do not let the blade cut in the risk sector to prevent kickback.

### C. Description of the safety devices on the machine



#### Safety lever

 Never use the machine with its Safety lever pressed with adhesive tape, string or other.

This device serves to prevent accidentally pressing the throttle trigger (fig. **A no. 3**). In fact, the trigger (fig. **A no. 3**), can only be pressed if the safety lever is pressed at the same time (fig. **A no. 17**). By means of 2 separate springs, upon releasing the grip, the throttle trigger (fig. **A no. 3**) and safety lever (fig. **A no. 17**) return automatically to their original positions.

### Shaft fastener



Use the shaft fastener every time you start the machine, fastening the connector to the supporting device. This way, the shaft will be held in place while your hands are busy with the starting procedure.

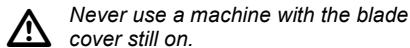
### Antivibration device

The machine is equipped with an antivibration device (fig. A no. 30) which serves to reduce the vibrations transmitted to the operator.

### Engine stop device

Turn the stop button Stop (fig. A no. 8) to O / STOP to stop the engine. To make sure this button works properly, start the engine and check that it stops when the Stop button is turned to the Stop position.

### Protection for transport



The guard covers the sharp extremities of the blade when the machine is in the resting position for transport or storage.

### Safety guard



This very important safety device (fig. A no. 19) prevents any objects that come into contact with

the cutting device, or the grass itself, from flying up and striking the operator.

### Safety pole guard



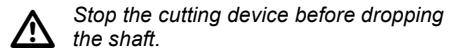
This device, fastened to the machine, ensures a minimum distance between the operator and the cutting device during use, and prevents the machine from striking and injuring the operator if the blade hits a hard surface (fig. A no. 18).

### Muffler



The muffler serves to reduce the noise level to a minimum and to route the exhaust fumes produced by the combustion engine away from the operator.

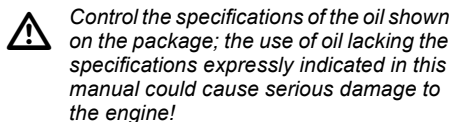
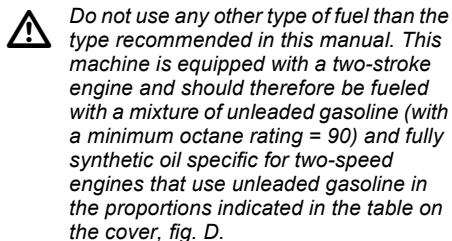
### Backpack release buckles



Before using the machine study the release buckles on the backpack and make sure you are able to use them quickly. If you have to remove the backpack rapidly, proceed as follows: hold the grip firmly in your right hand and use your left to release first the belt and then the left shoulder strap, letting the motor slip to the ground from your right shoulder.

## D. Fuel Mixture

### Preparation of the mixture



To obtain the best mixture, pour the oil into an approved container first, followed by the gasoline, and shake the container well (every time you take fuel out of it).

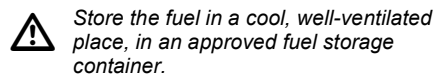
The characteristics of the mixture tend to deteriorate in time, so you should only prepare as much mixture as you are going to need (the use of deteriorated fuel can seriously damage the engine).

### Filling the tank



Clean the area around the fuel cap before removing it, to prevent any impurities from contaminating the fuel. Take the cap off the fuel container carefully. Unscrew the cap on the fuel tank and fill it with the necessary quality, using a funnel. During use, to prevent problems in starting the engine again, we strongly recommend that you avoid letting the fuel run out in the tank.

### Fuel storage





Never store the engine with fuel in the tank in a poorly ventilated place where the fumes produced by the gasoline could propagate and

reach a fire, candle, burner or furnace pilot light, water heater, dryer, etc. Never store excessive quantities of fuel.

## E. Assembly/disassembly

### E1. Setting the motor on the frame



Position the motor so that the fuel cap faces upward and the bracket for fastening it to the frame is on one side. Screw pin A onto the motor as shown in the figure and tighten it securely. Fasten the motor to the frame and tighten it securely with the nut provided (B).

### E2. Insertion of padding on frame



Pick up the frame+motor assembly and place them on the base; insert the upper part of the padding on the frame and fasten it with the two straps as shown in the figure. Take the support for the starter knob and fit it as shown in the figure. Fasten the starter cord to the support as shown in figure.

### E3. Assembly of the transmission shaft to the flexible shaft



Pull the plastic ring nut away from the end of the rigid tube turning it counterclockwise if necessary. Insert the rigid tube into the handle section until the label is aligned with the edge of the plastic threaded rim. Tighten the ring nut hand tight.

### Safety pole guard



The safety pole guard should be mounted using the accessories supplied and in the configuration shown in the figure, in contact with the delta handle.

### E4. Delta grip



For your safety, fasten the delta handle in front of the label placed on the shaft at a distance of at least 11 cm from the rear grip. The handle should be fastened in a comfortable working position. If you are using sawtooth blades, the grip distance should be moved by at least 36 cm.

### E5. Fitting guard on line cutter head and grass cutting blade



Fit the safety guard (A) against the gearbox (I) position the lower clamp (G) in the housing under the shield and the upper clamp (F) over the shaft. Insert and tighten the screws (H).

### Safety guard extension (exclusively for use with nylon string head)



*The string cutting blade housed in the plastic shield will cut the nylon string to optimum length; a string that is too long reduces the rotation speed of the engine and interferes with cutting efficiency, as well as increasing the risk of injury.*

The extension (B) should be installed only for use with the nylon string head, with the aid of the string cutter blade (L), that regulates the length of the string and thus the cutting diameter. For correct assembly see the illustration on the cover and perform the following sequence of steps: Insert the extension (B) on the safety guard (A) at the reference notches (C), and fasten with the screws (D), then apply the string cutter blade (L) with the cutting edge facing towards the outside of the shield, and fasten it with the screw (E) (Make sure the screws are tightened all the way (E) and are not loosened by the vibrations. If necessary, tighten them again).

### E6. Assembly/disassembly of line cutter head



Apply the nylon string head as shown in the illustration: a) Protection flange b) Upper plate c) Nylon string head. Tighten by turning counterclockwise. As you tighten, hold the nylon string head and plate still and insert the wrench or screwdriver supplied in the holes in the plate and gearbox; first turn the plate until the two holes match.

### E7. Assembly/disassembly of grass cutter blade



*Do not use the nylon string head guard extension (H) with metal blades.*

Assemble blade as illustrated: a) Flange guard - b) Upper cap with blade centering - c) Blade with text and directional arrow facing upwards - d) Lower washer - e) Fixed mower gauge - f) Blade locking screw (length mm 16).

If you want to assemble the rotating mower gauge, proceed as illustrated: a) Flange guard - b) Upper cap with blade centering - c) Blade with text and directional arrow facing upwards - d)

Lower washer - e) Spacer - f) Rotating mower gauge - g) Blade locking screw (length mm 34,5).

### Assembly of sawtooth blade and blade guard



When using the sawtooth blade, remove the guard for the line cutter head and grass cutting blade and replace the flange guard (A) with the sawtooth blade guard (H).

Saw tooth blades (24 - 80 tooth) have a central base diameter of 20mm and therefore require the use of the appropriate size top flange to ensure a correct fit. The part number is detailed in the cutting attachment summary chart.

For assembly see figures (E7, E8, E9).

## F. Starting and stopping the engine



During startup, stand in a stable position. (Be careful not to twist the starter cord around your hands). Fasten the shaft to the backpack before undertaking the starting procedure, and release it afterwards. Do not pull the starter cord all the way and do not release it abruptly against the machine as this could damage it.

### Startup of cold engine

**F1.** Stop switch (A) turned to "I" opposite the "STOP" mark.

**F2.** Turn the fuel enrichment lever (B) to the closed position.

**F3.** Pump by pressing several times on the bulb (C) until you see the fuel flow back into the tank through the tube (D). Put on the backpack. Pull the starter cord evenly, without jerks, and release it in the same way until the motor

catches. Let the motor run for a few seconds and accelerate. This will automatically return the fuel enrichment lever to its original position.

The cutting devices are now rotating.

### Startup of warm engine

**F1.** STOP switch turned to "I" (START). Throttle trigger lever in minimum position (released).

**F4.** Enrichment lever (B) in original position.

**F3.** Repeat item F3 in the previous paragraph.

### Stopping the engine

**F5.** Turn the stop switch (A) to "O" (STOP).

After stopping the engine the rotating parts, blade or nylon string head, keep spinning by inertia for a few seconds. Grip the machine firmly until they stop. In case of emergency the above delay can be abbreviated by scraping the blade supporting cup parallel on the ground.

## G. Carburetor adjustment



Your machine can be equipped with a low emission carburetor. We recommend that you have any adjustment of the carburetor made exclusively by an authorized service center, which disposes of special equipment for ensuring the best performance with the lowest emissions. To adjust the speed to the minimum, turn the screw marked (T) as shown: With the engine running and well warmed up, turn the screw (T) gently clockwise, until the engine rotates at regular speed (stead noise), without the cutting devices in motion. If the cutting devices are moving, turn the screw (T) gently counterclockwise until you obtain the proper adjustment. The correct minimum speed is

shown in the instruction manual in the paragraph of technical data.

All the above adjustments should be made with the cutting devices correctly installed.

When you start the machine for carburetion, non do not wear the backpack, but set it down and hold it firmly in place with one hand while you use the other to pull the starter cord. Make sure the cutting tool is in a stable, safe position.

The warranty may be invalidated due to erroneous adjustments made by personnel not belonging to authorized service centers.

## H. Routine maintenance



### After every use

In order to avoid overheating the motor, remove any dust and dirt from the slots on the cylinder cover and fins of the cylinder using a wooden scraper. Clean the backpack (if you wish, you can wash the padding after removing it from the frame). Store the machine in a dry place.

### After 25 hours of use

Remove the filter as shown in the figure and clean it using a gentle jet of compressed air. For more thorough cleansing, you can wash it with soapy water.

### After 50 hours of use

Add some high speed gear grease in the gearbox through hole (C). Remove and clean the spark plug (set the space between the electrode at 0.5/0.6 mm). Replace if excessively encrusted. In case of excessive encrustation check the carburetor adjustment, the percentage of oil in the fuel mixture and make sure the oil is of excellent quality and suitable for two-stroke engines.

### After 100 hours of use

Replace the spark plug.

### Every three months

Contact your Service Center for a complete overhaul, replacement of the fuel filter and

cleaning of the parts inside the machine. This will reduce the possibility of unexpected problems and will ensure the good performance and long life of your machine.

### Periods of prolonged disuse

See "Environmental information".

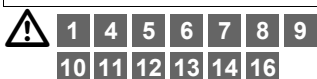


*If you use the machine in an exceptionally dirty or dusty environment these operations should be carried out more often.*

### H. Replacement of nylon string

To replace the reel of string, press both the release pawls indicated by the arrows, remove the empty reel (fig. H2), unroll any string left and rewind the new string. Open the original package of string and insert the ends of the two strings in the eyelets on the reel, then wind the strings completely on the reel in the same direction and fasten the end of each string in the 2 opposite grooves. Replace the reel in its housing and thread the ends of the strings in their bushings. Pull each string so that about 15 cm comes out on each side. Reassemble the nylon string head as shown (fig. H5). If the reel becomes excessively worn, replace it with a whole new reel.

## I. Techniques for use



### Backpack adjustment

During adjustment remember that the weight of the machine should be distributed mainly on your hips, while your shoulders serve to balance the load. Respect of these precautions will ensure a better balance and be less tiring for your back. Adjust the shoulder straps so that the belt is at hip height. Fasten the belt and adjust the straps so as to distribute the load and balance the weight of the machine accurately. Fasten the shaft to the backpack. Adjust the fastening belt so that the shaft is in the best position for starting the machine (12).

### Cutting techniques



*During the cutting operations, keep the engine running at high speed. After every cutting stage, decelerate the engine to minimum speed as running it at top speed without a load can damage the engine severely.*



*Wait until the engine is running at minimum speed before moving the machine from one section to another.*

The machine is ideal to complete the work of the lawnmower. In fact, it can reach places where a normal lawnmower is unable to go.

### Cutting and trimming grass borders with the nylon string head

Cutting with the nylon string head is suitable for light jobs like trimming borders and cutting the grass around trees.

### Mowing

To prevent damage to your lawn or the cutting mechanism, keep the string parallel to the ground but avoid contact with the terrain.

### Trimming borders

Angle the nylon string head keeping it a short distance from the ground. Cut using the end of the string. Do not press the string against the material to be cut.

### Drawing out the string

During cutting, the nylon string wears naturally causing an increase in the speed of the engine and a reduced cutting capacity. When this happens, to bring out more string bump the head against the ground: release the throttle trigger to reduce the engine speed to less than 8000 rpm. Tap gently on the ground with the button (A) as shown in the figure and the string will come out automatically. Accelerate again. If the string does not come out make sure there is still some left and try again.

### Thinning grass with the grass cutter blade




The grass is cut with swinging motions from side to side, maintaining the blade parallel to the ground. During the right to left swing the grass is cut, while the backswing must be made without using the blade.

**I2. KICKBACK** can occur when cutting is done with the risk sector of the blade; we recommend cutting with the rest of the blade. Take care that the cup supporting the blade just grazes the ground. This will prevent the blade from touching the ground.

### Use of sawtooth blade



 Do not attempt to cut trees with a larger than recommended diameter, to prevent the risk of kickback or damage to the blade.

The sawtooth blade serves to cut bushes and small trees, with maximum diameter of seven centimeters. Rest the left side of the special shield on the trunk while cutting to limit the risk of losing control of the machine.

## L. Environmental information

This section contains information useful for maintaining the characteristics of eco-compatibility included in the origin design of the machine, and as regards proper use and disposal of oil and fuel.

### Design

In the design stage, care was taken to develop an engine with reduced consumption and low emissions of noise and pollutant exhaust fumes.

### Use of machine

The operations of filling the tank with the fuel mixture should be carried out in such a way as to

avoid spilling fuel and contaminating the soil and environment.

### Periods of prolonged disuse

Always empty the fuel tank with the same precautions used in filling it.

### Disposal

Do not dispose inappropriately of the machine when it is no longer usable. Deliver it to an authorized organization for proper disposal in compliance with the regulations in force.

## M. Troubleshooting table

	The engine does not start	The engine stutters or loses power	The machine starts but does not cut properly
Make sure the STOP switch is on "I".	●		
Make sure that the fuel tank is at least 25% full.	●	●	
Make sure the air filter is clean.	●	●	
Remove the sparkplug, dry and clean it, then return it to its place. If necessary, replace it.	●	●	
Change the fuel filter. Contact your supplier.		●	
Follow the correct procedure for assembly of the cutting accessories.			●
Make sure the metal accessories are sharp, and contact your supplier if necessary.			●

**The engine continues to have problems: contact your authorized supplier**

## N. Declaration of conformity

The undersigned, authorized by E.O.P., declares that the following products model: type BC011 BC012 starting from the serial numbers produced from 2003 on, manufactured by E.O.P., Valmadrera, Italy, comply with European Directive: 98/37/EEC (Machine Directive), 93/68/EEC (EEC Marking Directive) & 89/336/EEC (Electromagnetic Compatibility Directive), directive 2000/14/EEC (Enclosure V).



Valmadrera, 15.12.03  
Pino Todero (Technical Manager)  
Electrolux Outdoor Products Italy S.p.A.  
Via Como 72, 23868 Valmadrera (Lecco)  
ITALY

## O. Technical data

Displacement (cm <sup>3</sup> ) .....	42	46	52
Bore (mm) .....	41	43	47
Stroke (mm) .....	32	32	30
Engine output (kW) (ISO 8893) .....	1,6	1,8	2
Maximum shaft rotation frequency (min <sup>-1</sup> ) .....	7700	7700	7700
Rotation speed (frequency of rotation) of engine at maximum rotation frequency recommended for shaft (min <sup>-1</sup> ) .....	12100	12100	12100
Engine speed at max power (min <sup>-1</sup> ) .....	8500	8500	7500
Minimum speed (min <sup>-1</sup> ) .....	2800	2800	2800
Maximum speed, no load (min <sup>-1</sup> ) .....	11000	11000	10000
Dry weight (kg) .....	9	9	10.8
Fuel tank capacity (cm <sup>3</sup> ) .....	1000	1000	1000
Noise pressure (at operator ear) L <sub>pav</sub> (dBA) (ISO 7917) .....	97	97	97
Measured sound power level L <sub>wav</sub> (dBA) (ISO 10884) .....	113	113	108
Guaranteed noise level L <sub>wav</sub> (dBA) (ISO 10884) .....	114	114	112
Vibrations on rear grip (m/s <sup>2</sup> ) (ISO 5349) .....	1,4-10,5	1,4-10,7	1,5-12
Vibrations on front grip (m/s <sup>2</sup> ) (ISO 5349) .....	1,4-9	1,4-9	1,5-10
	BC011 42cc	BC011 46cc	BC012 52cc