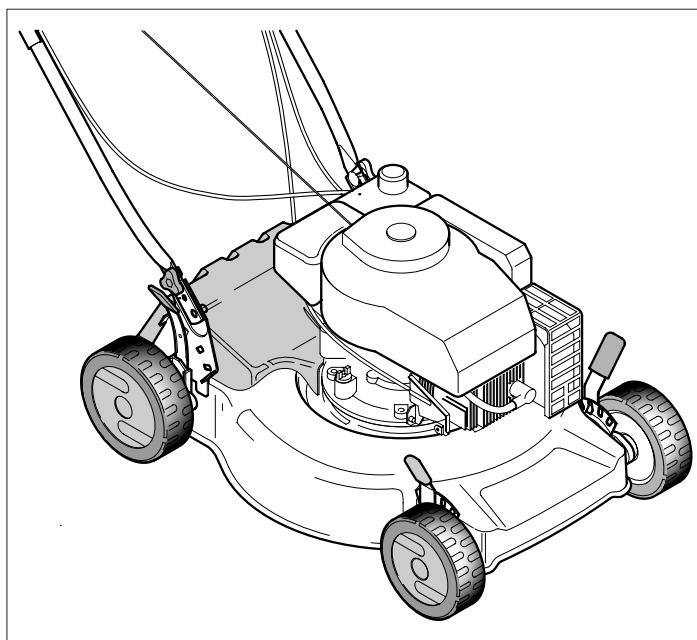
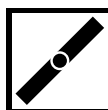


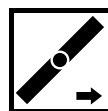
Libretto d'istruzione e uso
Notice d'instructions et mode d'emploi
Instruction manual
Bedienungsanleitung
Manual de uso y manutencion
Gebbruiksaanwijzing
Livro de instruções e modo de emprego
Instrukcja obsługi i konserwacji
Használati utasítás
Návod k používání
Brugsvejledning
Bruksanvisning
Bruks- og vedlikeholdsveiledning
Käyttöohjeet
Navodila za uporabo in vzdrževanje
Εγχειρίδιο οδηγιών χρήσης



Rasaerba con motore a scoppio - Lama 50 cm
Tondeuse avec moteur 4temps - Lame 50 cm.
Lawn mower with petrol engine - 50 cm blade
Rasenmäher mit Explosionsmotor - Messer 50 cm
Cortadora de hierba con motor de explosión - Cuchilla 50 cm.
Grasmaaimachine met verbrandingsmotor - Mes 50 cm.
Cortagrama com motor a explosão - Lamina 50 cm.
Kosiarka do trawy z silnikiem spalinowym - Nóż 50 cm.
Robbanò-motor hajtású fűnyíró - Kés 50 cm
Sekačka na trávu se spalovacím motorem - žací nůž 50 cm
Plæneklipper med benzinmotor - 50 cm klinge
Gräsklippare med bensinmotor - Kniv 50 cm
Gressklipper med bensinmotor - 50 cm kniv
4 - tahtimoottorilla varustettu ruohonleikkuri terä 50cm
Motorna kosilnica - rezilo 50 cm.
Χλοοκοπτική μηχανή με κινητήρα εσωτερικής καύσης - Μαχαιρί 50 cm.



Rasaerba semovente
 Tondeuse tractée
 Self-propelled lawn mower
 Selbstfahrender Rasenmäher
 Cortadora de hierba propulsada
 Zelfrijdende grasmaaimachine
 Cortagrama semovente
 Kosiarka do trawy z napędem
 Önjáró - fűnyíró
 Samohybná sekačka trávy
 Selvkørende plæneklipper
 Sjølvgående gräsklippare
 Gressklipper med drift
 Itseliikkuva ruohonleikkuri
 Kosilnica na avtomatski pogon
 Αυτοκίνητη χλοοκοπτική μηχανή



Versione avviamento elettrico
 Tondeuse démarrage électrique
 Electric-starter lawn mower
 Rasenmäher elektrischem Anlasser
 Cortadora arranque eléctrico
 Grasmaaimachine met elektrische ontsteking
 Cortagrama acionamento elétrico
 Kosiarka do trawy z napędem i zapłonem elektrycznym
 Villamos indítású - fűnyíró
 Sekačka trávy s elektrickým spoištínim
 Plæneklipper med elektrisk start
 Gräsklippare med elektrisk start
 Gressklipper med drift og elektrisk start.
 Itseliikkuva ruohonleikkuri
 Model na električni pogon
 Εκδοχή με ηλεκτρική εκκίνηση



Versione lusso
 Version de luxe
 Luxury version
 Version Luxusausführung
 Version lujo
 Luxe grasmaaimachine
 Cortagrama luxo
 Kosiarka do trawy w wersji luksusowej
 "Luxus" - fűnyíró
 Luxusní sekačka trávy
 Luxus plæneklipper
 Gräsklippare lyxversion
 Luksus gressklipper.
 Laadukas ruohonleikkuri
 Luksuzni model
 Εκδοχή πολυτελείας

Il presente manuale rappresenta una parte integrante del prodotto. Vi preghiamo di conservarlo per ogni ulteriore utilizzo.
Le manuel présent fait partie intégrante du produit; nous vous prions en conséquence de le conserver pour toutes nécessités ultérieures.
The present manual constitutes an integral part of the product and it should be kept for all future reference.
Das vorliegende Handbuch gehört zu einem festen Bestandteile des Produktes und muss deshalb zur Einsichtnahme sorgfältig aufgehoben werden.
El presente manual representa una parte integrante del producto. Les rogamos que lo conserven para cualquier ulterior empleo.
Deze handleiding is een integrerend deel van het product. Wij verzoeken u hem te bewaren voor iedere mogelijke nadere raadpleging
Este manual representa uma parte integrante do produto. Recomendamos guardá-lo para outros usos.
Niniejsza instrukcja stanowi integralną część produktu. Prosimy przechowywać ją do każdego dalszego użytkowania.
A jelen szakkönyv a termék szerves részét képezi. Kérjük megőrizni minden utólagos használatért.
Tato uživatelská příručka je neopomenutelnou součástí výrobku. Ušchovejte ji pro další použití.
Håndbogen er en integreret del af produktet. Den skal opbevares omhyggeligt for yderligere konsultation.
Denna manual utgör en integrerande del av produkten. Vi ber er spara den för senare bruk.
Dette håndboken representerer en fullende del av produkten. Det skal oppbevares for alle ytre anvendelser.
Tämä käyttöopas kuuluu olennaisena osana tuoteeseen. Säilytä se huolellisesti myöhempää käyttöä varten.
Navodila za uporabo in vzdrževanje so sestavni del izdelka, zato prosimo, da jih shranite in upoštevate za nadaljnjo uporabo.
To παρόν εγχειρίδιο αποτελεί ένα ολοκληρωτικό μέρος του προϊόντος. Σας παρακαλούμε να το φυλάξετε με προσοχή για κάθε περαιτέρω χρήση.

I

F

GB

D

E

NL

P

PL

H

SK

CZ

DK

S

N

SF

SLO

GR

A DESCRIPTION (starts at page 35)

1	Upper handles	7	Adjusting knob for cutting height	13	Reduction gear
2	Lower handles	8	Spark plug	14	Clutch lever
3	Fastening knobs for upper handles	9	Fuel cap	15	Console
4	Oil filler cap	10	Engine start-grip		
5	Oil drain plug	11	Throttle lever		
6	Deck	12	Engine stop lever		

B ASSEMBLY (starts at page 36)**Manual lawn mower**

Assemble the handle and fit the brake lever with the pin and clip provided, assemble wheels as shown and throttle if supplied.

C ASSEMBLY (starts at page 37)**Manual lawn mower**

Assemble the handle and fit the brake lever with the pin and clip provided, assemble wheels as shown and throttle if supplied.

D ASSEMBLY (starts at page 38)**Self-Propelled**

Assemble the handle and fit the levers with pins and clips provided, assemble wheels as shown and throttle if required.

E ADJUSTMENT OF CUTTING HEIGHT (starts at page 39)**F SAFETY PRECAUTIONS** (starts at page 39)

- Always stop the engine before removing the grasscatcher or adjusting the height of cut.
- Never place your hands or feet underneath the deck or into the grass discharge chute while the engine is running.

(starts at page 39)

G Before mowing, remove all foreign objects from the lawn which may be thrown by the machine. While mowing, stay alert for any foreign objects which may have been missed.
Never lift the rear of the mower while starting the engine or during normal operation.

H OPERATION (starts at page 39)**ENGINE ADJUSTMENTS**

Refer to the engine manufacturer's maintenance manual.

CAUTION:- 0.6l Oil must be added to the engine before use.

(starts at page 40)

I STARTING THE ENGINE

Once the machine has been set up properly, start the engine as follows:

a) Operate the engine stop lever (12) to prepare the engine for start.

b) *Engines with choke system:*

when the engine is cold, position the accelerator lever (11) on START

Engines with primer system:

Press the fuel-enrichment pump (26) see page 35 picture H, located on the carburettor 3 or 4 times.

Position the accelerator lever (11) on MAX.

c) Start engine.

MANUAL STARTING:

- Hold the engine start-grip (10) and pull the starter rope gently until you feel the resistance caused by compression. Release the start-grip then give the starter rope a sharp tug.

CAUTION: The blade starts turning as soon as the engine is started.

J (starts at page 40)



Keep the engine stop lever (12) depressed during machine operation. When the lever is released, the engine stops.

MOWING

To cut the grass, push the lawn mower manually

K (starts at page 40)



Keep the engine stop lever (12) depressed during machine operation. When the lever is released, the engine stops.

MOWING

To cut the grass, push the lawn mower manually or insert the automatic advance gear.

How to insert automatic advance: Lift up the clutch handle (14) and keep it pressed in position.

CAUTION: Engage the gear only when the engine is running.

How to disengage advance: Release the clutch handle.

L (starts at page 40)

Important: If when you press the clutch lever the automatic advance gear does not engage, the clutch should be adjusted by inserting the spring (P) in one of the subsequent holes in the plates (R))(or in the hole "S".)

M **AUTOMATIC ADVANCEMENT** (starts at page 40)

Periodically check the automatic advance assembly and make sure to keep it clean. In particular, the pinion (16) and the gear (17) must be kept perfectly clean. To carry out this check, you must remove the wheel (18) by unscrewing the screw (19).

SAFETY RULES**Training**

IMPORTANT - Once the product has fuel or oil in the tanks do not tilt the machine at an angle of more than 30°.

- a) Persons under 16 years of age and persons who are not familiar with the user instructions must not use the lawn mower.
- b) The operator is responsible for the safety of other people in the working area. Keep children and domestic animals at a safe distance when the lawn mower is in use.
- c) This machine is to be used exclusively for cutting natural grass. Never use the mower for other purposes (e.g., for flattening out bumps in the ground, such as mole-hills or ant-hills).
- d) Work only when there is sufficient light.
- e) Before mowing, remove all foreign objects from the lawn which may be thrown by the machine. While mowing, stay alert for any foreign objects which may have been missed.

Setting up and operating the lawn mower

- a) When mowing, wear strong footwear (boots or heavy shoes) and long trousers.
- b) Before you start mowing, make sure that the blade and blade fixing screw are securely fastened. If the blade is damaged, it must be replaced.
- c) Turn off the engine, wait until the blade has stopped and remove the spark plug cap before:
 - transporting, lifting or moving the machine away from the working area;
 - carrying out maintenance or cleaning, or when carrying out any operation on the blade;
 - adjusting the cutting height;
 - leaving the machine unattended.

Caution! The blade starts turning as soon as the engine is started

d) Caution! The fuel is highly inflammable:

- Store fuel in containers specifically designed for this purpose.
- Refuel outdoors only and do not smoke while refuelling.
- Fill up the fuel tank before starting the engine. Under no circumstances open the fuel tank cap or add petrol when the engine is running or when it is still hot.
- If the petrol has overflowed, do not under any circumstances start up the engine. Move the mower away from the area where fuel has been spilt and avoid any source of possible ignition until the petrol fumes have dissipated.
- Replace the fuel tank cap and tighten it down firmly.
- e) Do not operate the engine in a confined space where dangerous carbon monoxide fumes can collect.
- f) When mowing, never run; you must always walk.
- g) Exercise extreme caution when turning or when pulling the lawn mower towards you.
- h) Particular precautions must be taken when mowing on slopes or downhill stretches:
 - Use appropriate antislip footwear.
 - Always be sure of your footing.
 - Mow across the face of slopes, never up or down.
 - Take great care when changing direction.
 - Do not mow on excessively steep slopes.
- i) Never use the lawn mower unless the guards and safety devices (e.g. deflector, grass catcher) are securely in position and in good condition.
- j) Ensure that the grass catcher and deflector are correctly located. Failure to do so may result in foreign objects being ejected by the blade.
- k) For reasons of safety, the engine must never exceed the speed. (r.p.m.) indicated on the label.
- l) Take care when starting the engine and be sure to follow the user instructions. Never place your hands or feet

underneath the deck or into the rear discharge chute while the engine is running.

m) Never lift the rear of the mower while starting the engine or during normal operation.

n) If the blade happens to hit any obstacle, stop the engine at once and remove the spark plug cap. Then get an expert to examine the blade.

Maintenance and storage

- a) Make sure that all nuts, bolts, and screws are kept well tightened to keep the mower in a safe operating condition.
- b) Never leave the machine with fuel in the tank within an enclosed area where the fuel vapours could reach naked flames or sparks.
- c) Allow the engine to cool before storing in any enclosure.
- d) Keep the engine, silencer, battery compartment and petrol tank free from grass, leaves and excess lubricant, in order to reduce the danger of fire.
- e) Frequently check the grass catcher for wear or deterioration.
- f) For safety reasons, be sure to replace worn-out or damaged parts in due time.
- g) If the fuel tank has to be drained, it is essential that this be done outdoor.
- h) Assemble the blades following the corresponding instructions and use only blades bearing the maker's name or the trademark of the manufacturer or supplier and marked with the reference number.
- i) To protect hands during disassembly or assembly of the blades, it is absolutely essential to wear suitable protective gloves.

MAINTENANCE

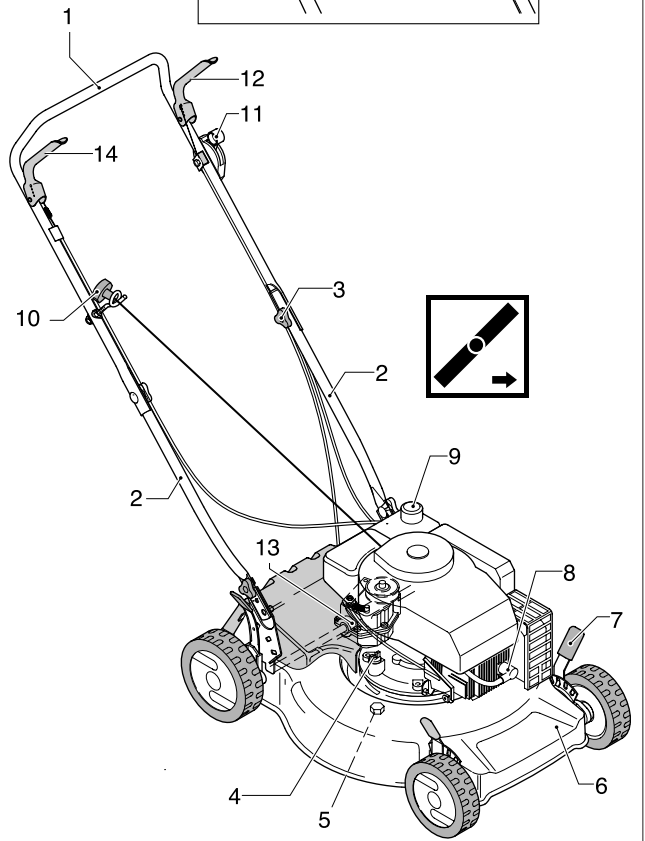
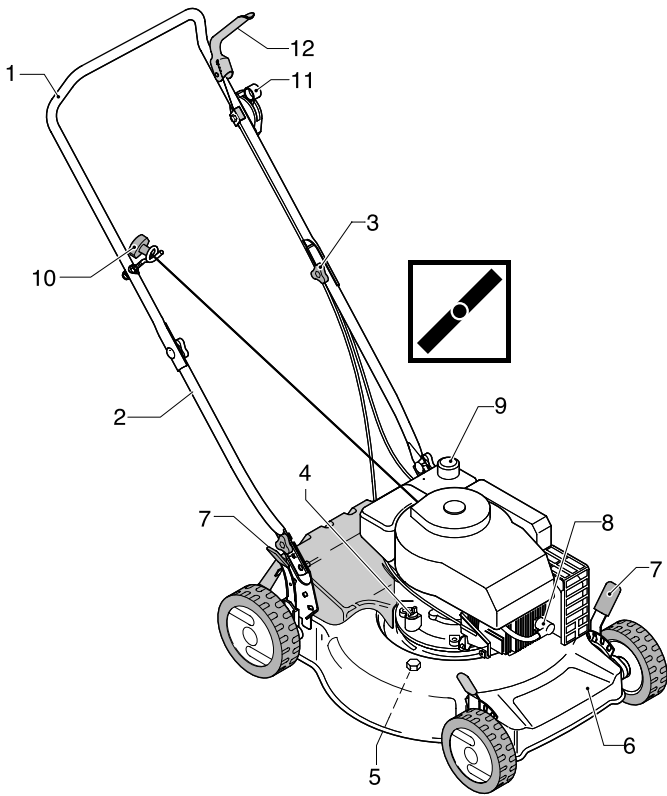
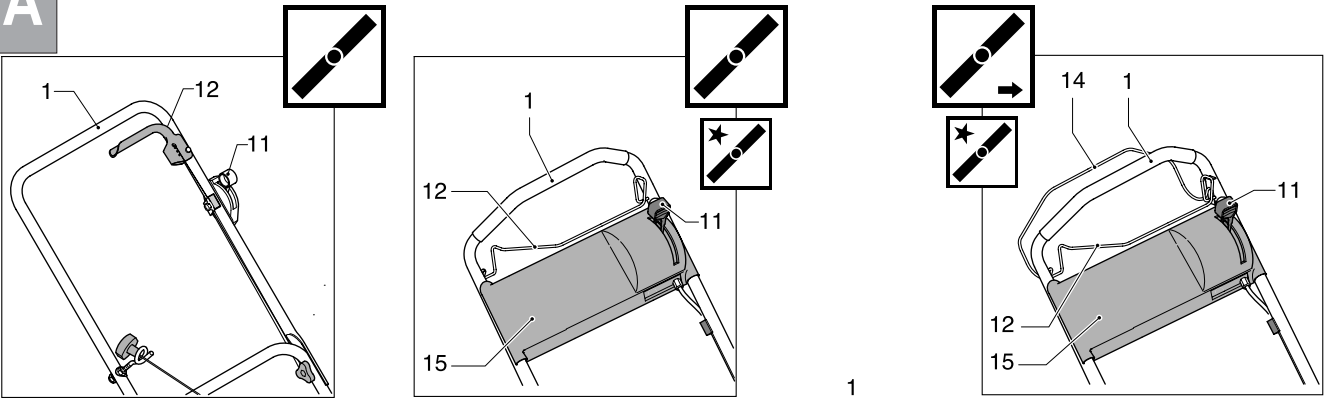
Caution! Switch off the motor and disconnect the spark plug before undertaking any maintenance work.

- For a four stroke engine, check the oil level and change the oil when dirty. For further explanation, see ENGINE INSTRUCTION BOOK.
- Frequently check the mower and ensure that all grass deposits are removed from beneath the deck.
- Never clean the mower by pouring water over it: this may seriously damage the electric start system.
- Take care, the exhaust muffler may be very hot.
- Frequently remove the wheel screws clean with petroleum and oil before replacing. Ball bearings must be greased before remounting.
- Frequently check the blade for damage.
- The lawn mower must be checked by a SERVICE DEALER.

N **BLADE** (starts at page 40)

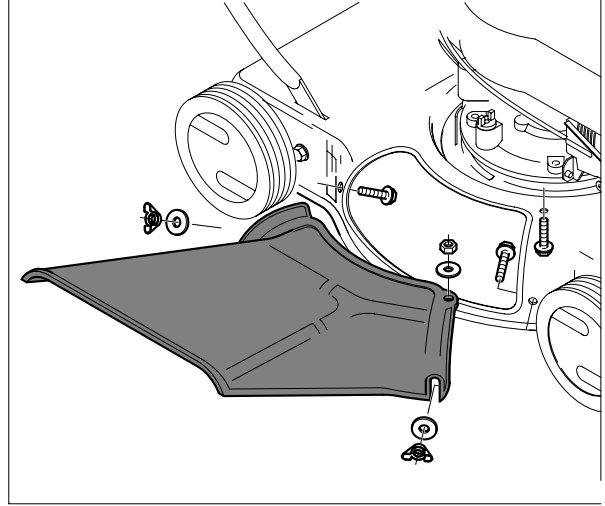
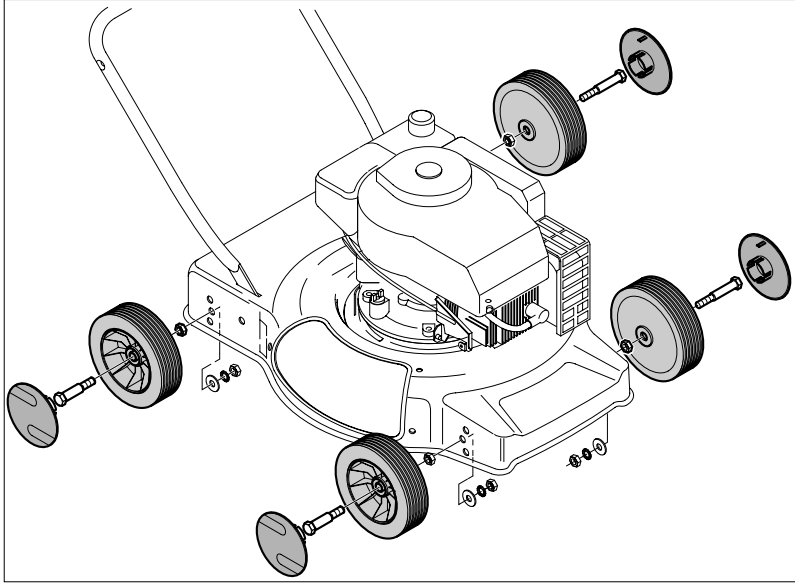
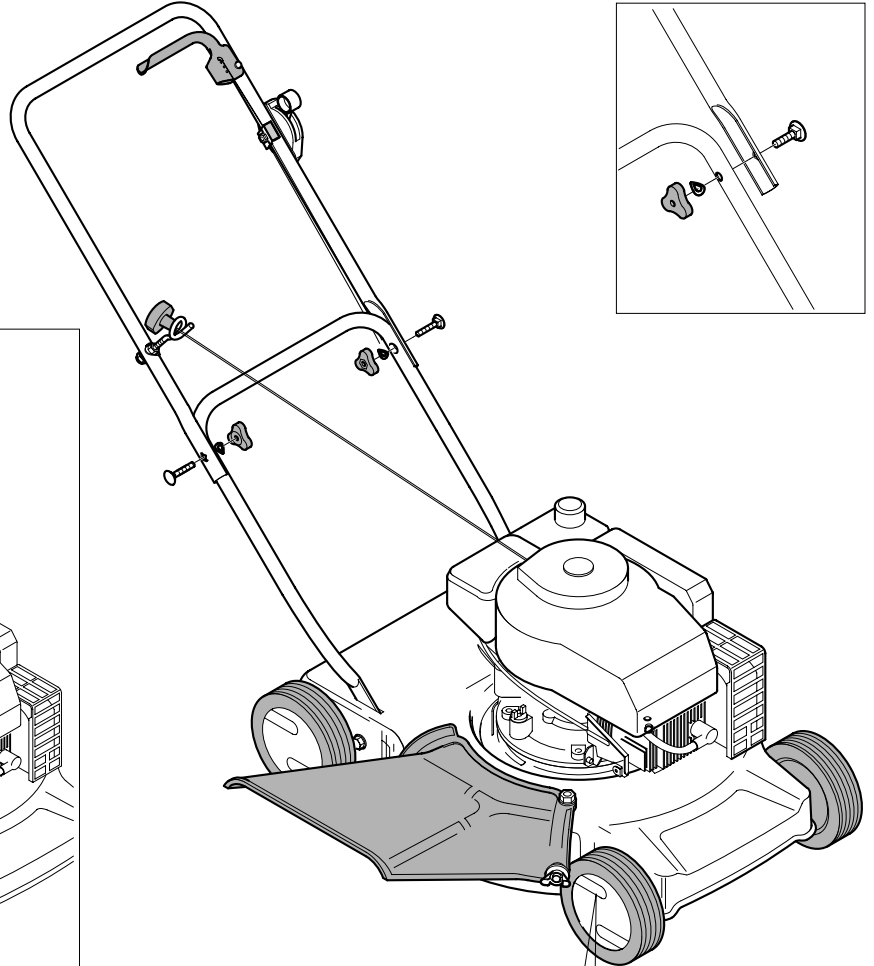
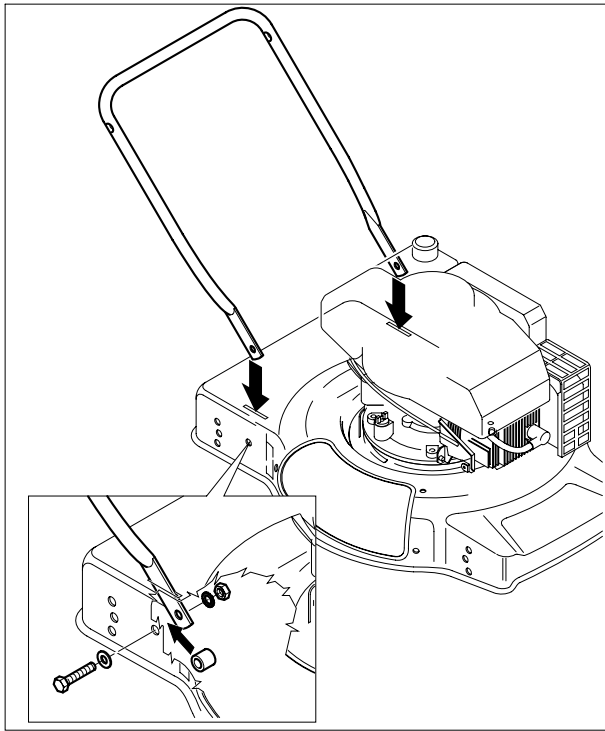
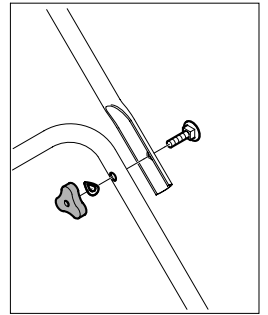
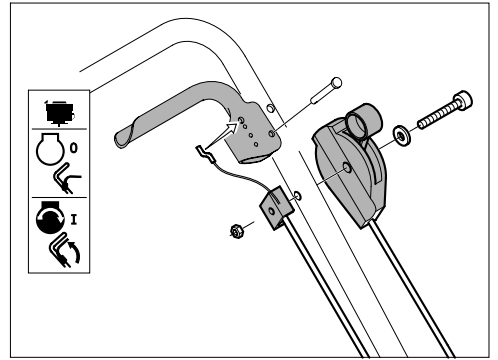
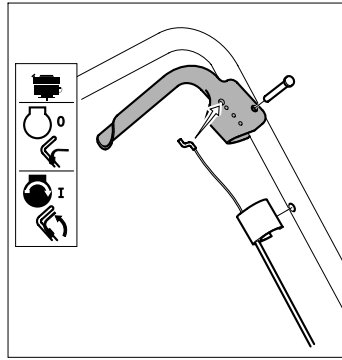
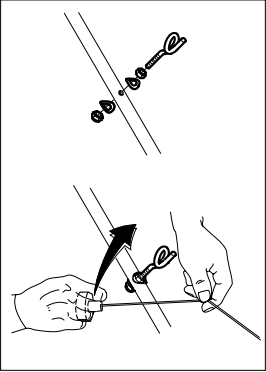
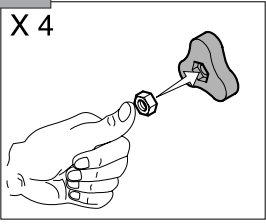
- To remove the blade (20) unscrew the screw (21).
- Check the conditions of the blade-support (22), the washer (23), the key (24) and the washer (25) and replace any parts which are damaged.
- When reassembling, make sure that the key (24) is correctly seated in the shaft and that the cutting edges face in the direction of the engine rotation. The blade screw (21) must be torqued to 5,34 Kgm (52,4 Nm).

A

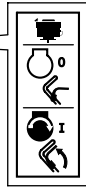
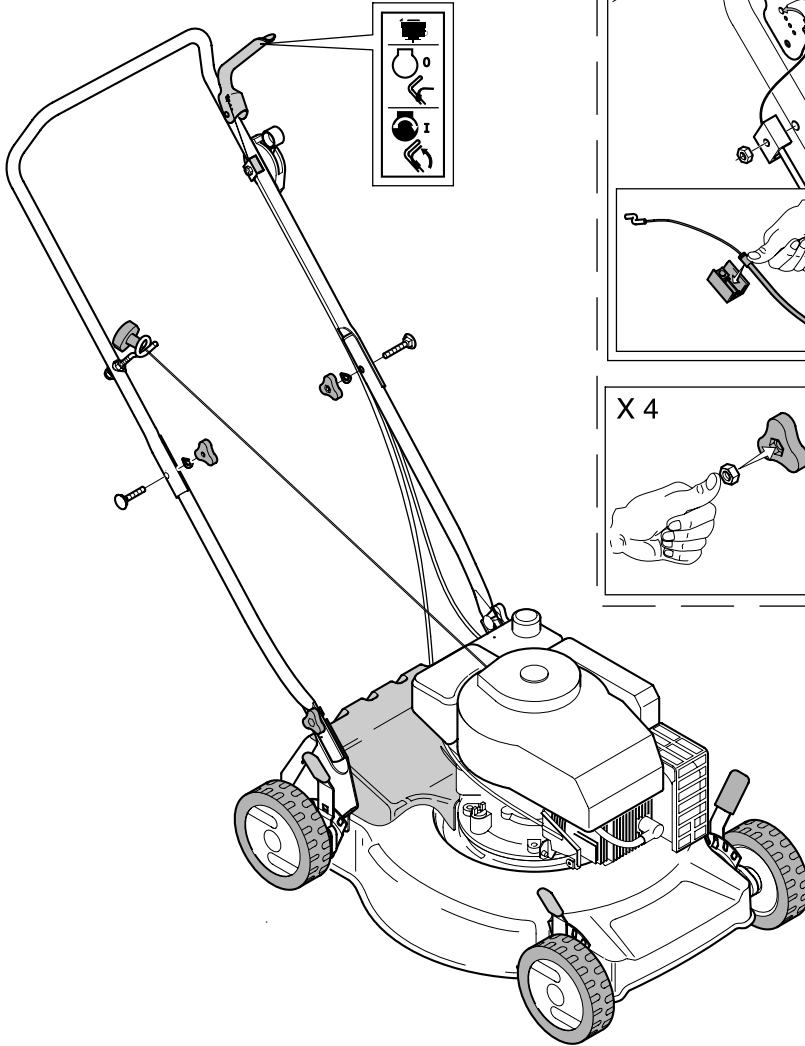
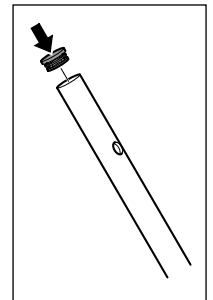
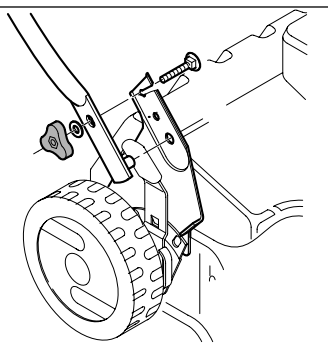
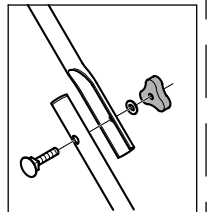
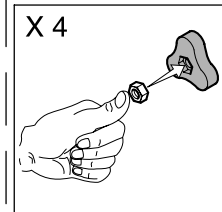
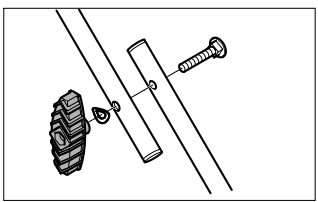
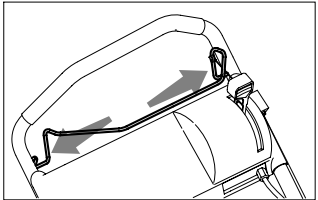
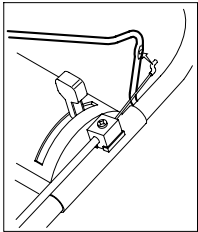
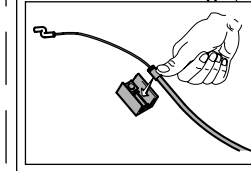
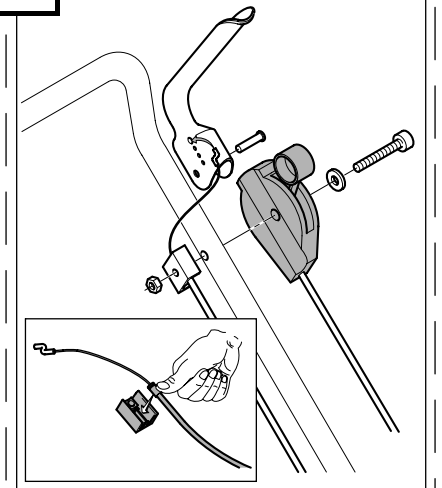
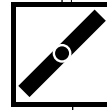
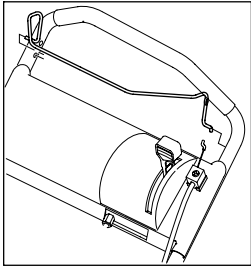
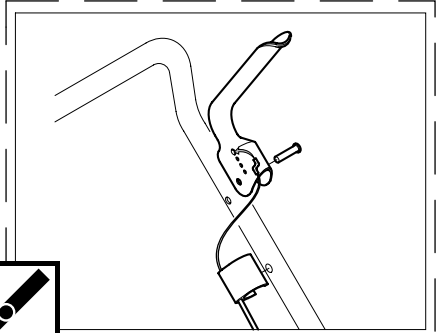
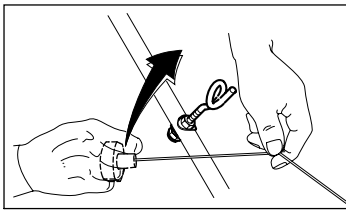
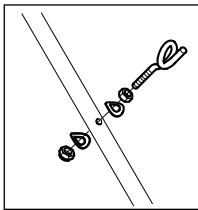
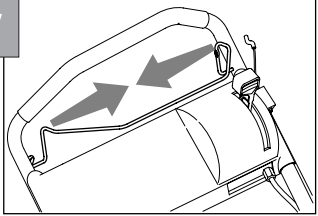


B

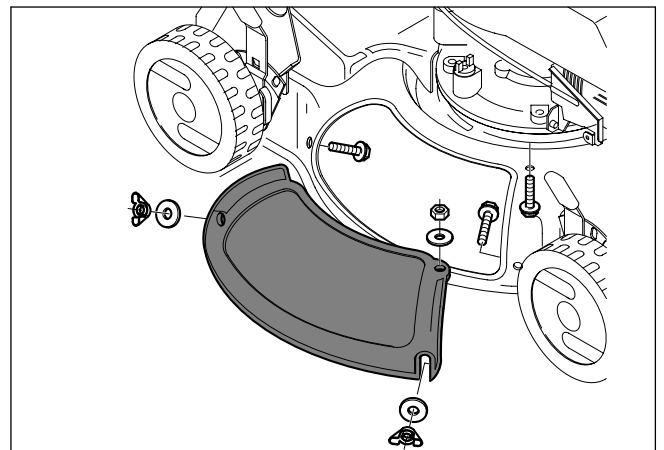
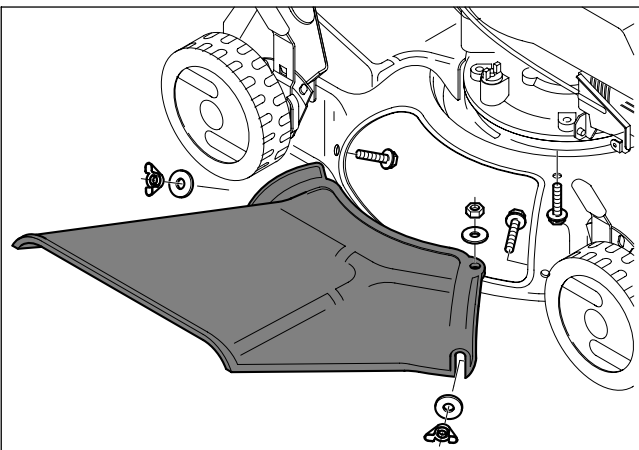
X 4



C



X 4



D

