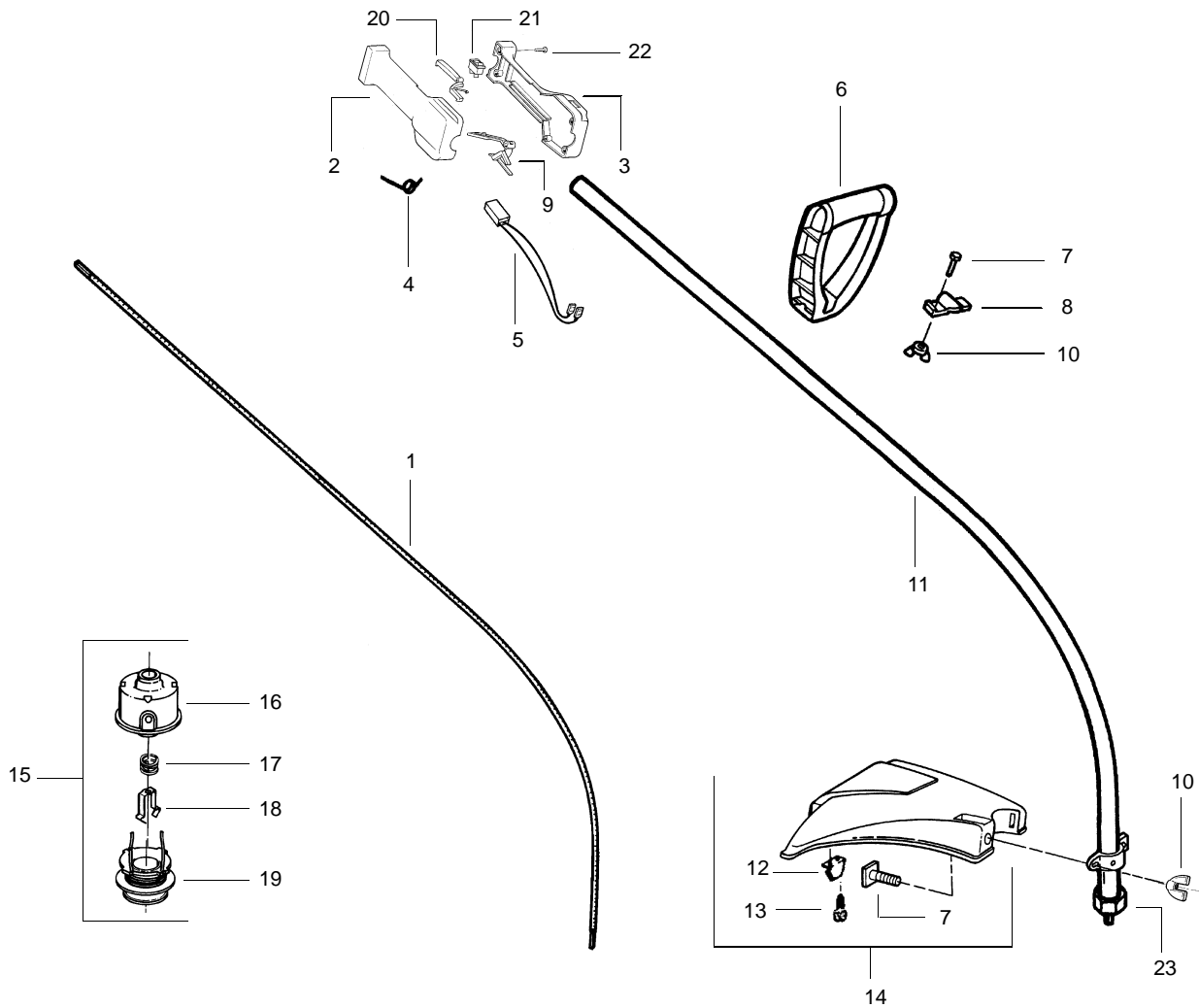


| | | | |
|------------------------------------|--|-----------------------------|--|
| PARTS LIST NO. 530087918 | | MCCULLOCH PARTS LIST | MODEL(s) TRIMMAC 240 |
| DATE 3/25/02 | Replaces 530087918 – 8/27/01 | | NOTE: Illustration may differ from actual model due to design changes |

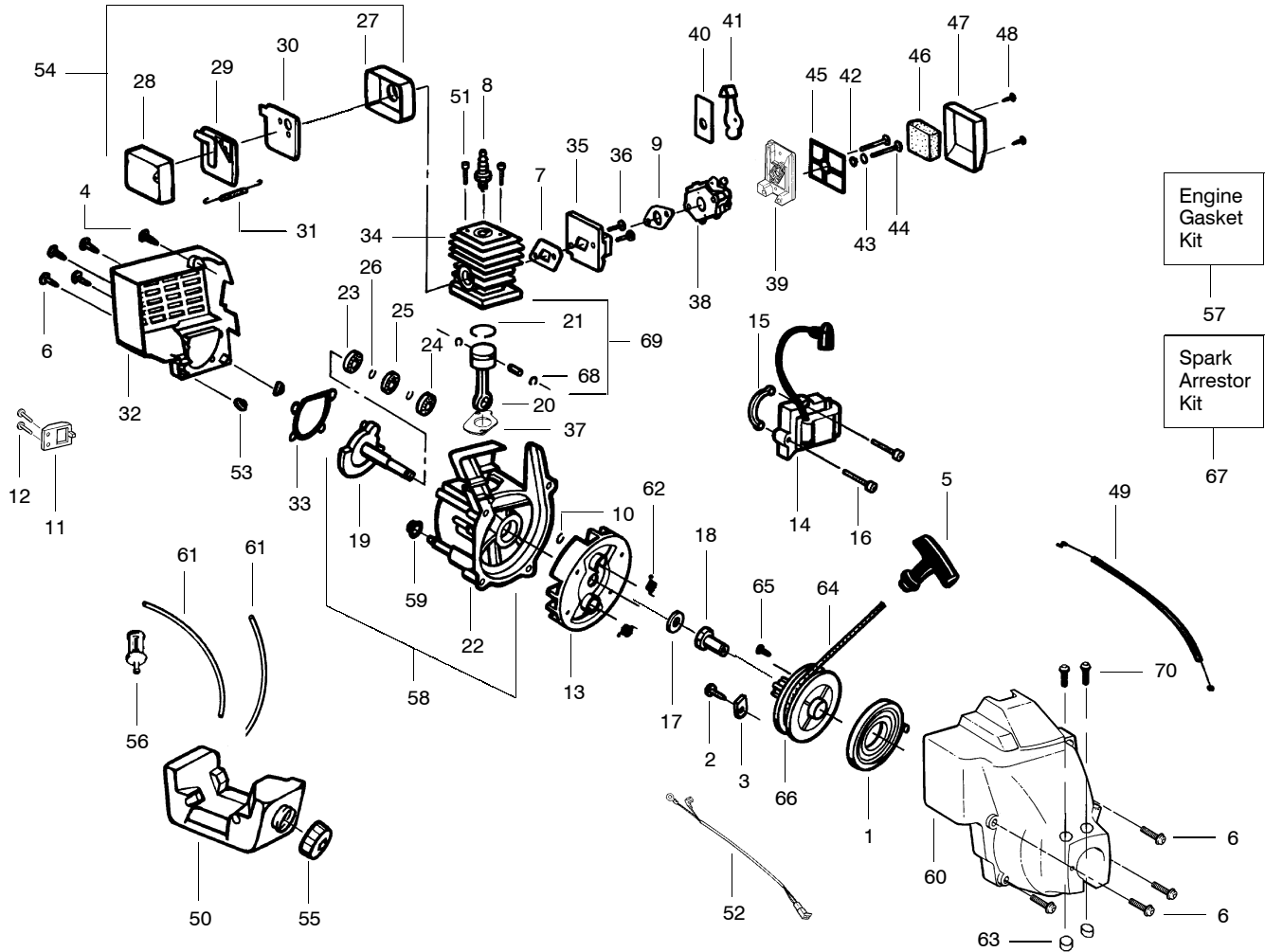


| Ref. | Part No. | Description | Ref. | Part No. | Description |
|------|-----------|--------------------------------------|-----------|-------------|--------------------------------------|
| 1. | 530053428 | Drive Shaft | 15. | 538248206 | Cutting Head Ass'y. (Incl. 16–19) |
| 2. | 530402025 | Throttle Hsg. (Right) | 16. | 530053246 | Hub Ass'y |
| 3. | 530402026 | Throttle Hsg. (Left) | 17. | 530053241 | Spring–Return |
| 4. | 530042093 | Spring–Lever Return | 18. | 530401957 | Retainer–Spool |
| 5. | 530047307 | Throttle Leadwire Ass'y. | 19. | 538248286 | Spool w/Line |
| 6. | 530094673 | Assist Handle | 20. | 530402028 | Throttle Lock |
| 7. | 530015820 | Bolt–Handle/Shield | 21. | 530069572 | Switch Kit |
| 8. | 530094847 | Clamp–Handle | 22. | 530015886 | Screw |
| 9. | 530402027 | Throttle Lever | 23. | 530094543 | Dust Cup |
| 10. | 530016118 | Wingnut–Handle/Shield | | | |
| 11. | 530095768 | Drive Shaft Hsg. Ass'y | | | |
| 12. | 530052286 | Line Limiter | | | |
| 13. | 530015814 | Screw–Line Limiter | | | |
| 14. | 530069666 | Shield Kit Ass'y. (Incl. 12 & 13) | | | |
| | | | Not Shown | | |
| | | | | – | Operator Manual |
| | | | | ✓ 530088218 | Scan |
| | | | | ✓ 530088219 | Euro |

✓ = NEW PART NUMBER FOR THIS IPL

★ = REFER TO THE SERVICE REFERENCE INDICATED FOR MORE INFORMATION. (LOCATED AT END OF IPL)

| | | | |
|-----------------------------|---------------------------------|----------------------|---|
| PARTS LIST NO. 530087918 | | MCCULLOCH PARTS LIST | MODEL(s) TRIMMAC 240 |
| DATE 3/25/02 | Replaces 530087918 - 8/27/01 | | NOTE: Illustration may differ from actual model due to design changes |

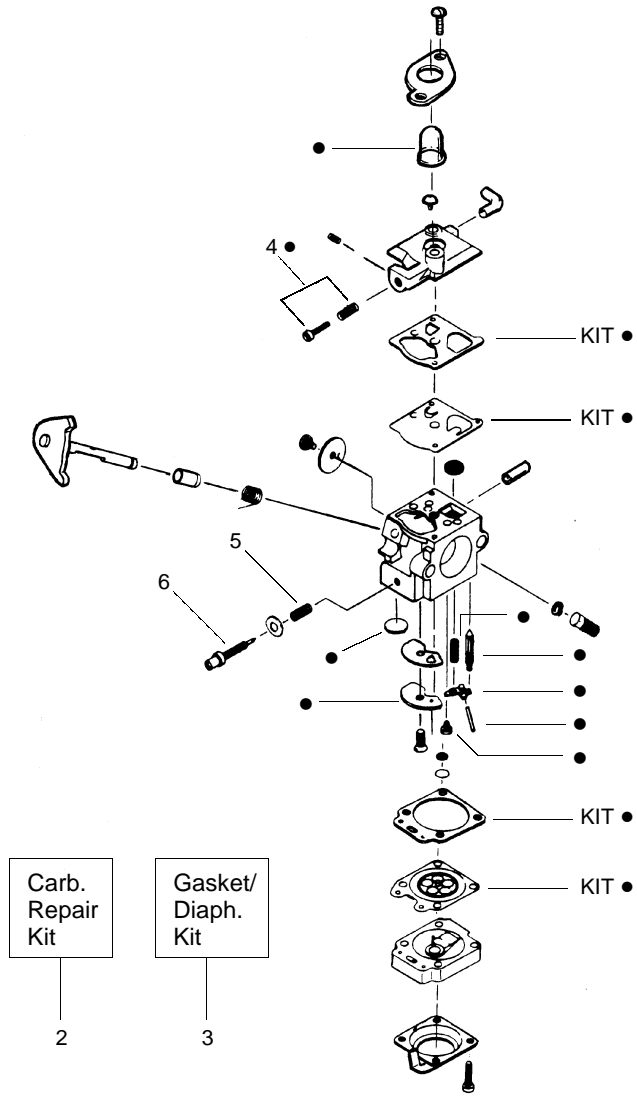


| Ref. | Part No. | Description | Ref. | Part No. | Description | Ref. | Part No. | Description |
|------|-----------|----------------------------------|------|-----------|---|------|-----------|--|
| 1. | 530042085 | Starter Spring | 28. | 530036577 | Muffler Cover | 54. | 530069989 | Muffler Kit |
| 2. | 530016224 | Screw-Pulley | 29. | 530053500 | Muffler Baffle-Exit | 55. | 530014347 | Fuel Cap Ass'y. |
| 3. | 530053985 | Retainer-Pulley | 30. | 530053499 | Muffler Baffle-First | 56. | 530095646 | Fuel Pickup Ass'y. |
| 4. | 530015934 | Screw-Shrd/Fan Hsg. | 31. | 530016197 | Muffler Spring | 57. | 530071257 | Engine Gasket Kit (Incl. 7,9,33,37) |
| 5. | 530027569 | Starter Handle | 32. | 530054299 | Rear Shroud | 58. | 530014729 | C'case & C'shaft Assy. (Incl.10,19,22-26) |
| 6. | 530015810 | Screw | 33. | 530019181 | Gasket-C'case | 59. | 530053725 | Isolator-Crankcase |
| 7. | 530019243 | Gasket-Cylind./Carb. | 34. | 530069757 | Cylinder Kit | 60. | 530054324 | Fan Housing Ass'y. |
| 8. | 530030218 | Spark Plug | 35. | 530049301 | Carb. Adaptor | 61. | 530069599 | Fuel Line Kit (Incls. Vent Line) |
| 9. | 530035421 | Gasket-Carb. | 36. | 530016014 | Screw-Carb Adaptor | 62. | 530023817 | Starter Dog Spring |
| 10. | 530015945 | RetainerRing-C'case | 37. | 530019223 | Gasket-Cylinder | 63. | 530015768 | Locknut |
| 11. | 530037045 | Muffler Guard | 38. | 530069754 | Carburetor Ass'y. Kit (Includes Limiter Cap) | 64. | 530069232 | Rope Kit |
| 12. | 530015675 | Screw | 39. | 530052431 | Air Box | 65. | 530016080 | Screw-Rope Retain. |
| 13. | 530069886 | Flywheel Ass'y. | 40. | 530038747 | Choke Plate | 66. | 530069400 | Starter Pulley Kit (Incl. 65) |
| 14. | 530039210 | Ignition Module | 41. | 530038686 | Choke Shutter | 67. | 530069380 | Spark Arrestor Kit |
| 15. | 530036145 | Spacer-Ignit. Module | 42. | 530015254 | Washer | 68. | 530015162 | Piston Pin Retainer |
| 16. | 530015954 | Screw-Ignit. Module | 43. | 530015852 | Choke Spacer | 69. | 530069987 | Piston Kit (Incl. 21, 68 & Pin) |
| 17. | 530015828 | Washer-Flat | 44. | 530015887 | Screw-Carburetor | 70. | 530015767 | Screw |
| 18. | 530027953 | Drive Coupling | 45. | 530036569 | Filter Plate | | | |
| 19. | 530054083 | Crankshaft Ass'y. | 46. | 530036575 | Air Filter Foam | | | |
| 20. | 530069615 | Connecting Rod Ass'y. | 47. | 530036568 | Air Filter Cover | | | |
| 21. | 530053565 | Piston Ring | 48. | 530015880 | Screw-Air Box | | | |
| 22. | 530014861 | Crankcase Ass'y. (Incl 23-26) | 49. | 530036744 | Throttle Cable Ass'y. | | | |
| 23. | 530032125 | Inner Bearing | 50. | 530049299 | Fuel Tank Ass'y | | | |
| 24. | 530032124 | Outer Bearing | 51. | 530015953 | Screw-Cylinder | | | |
| 25. | 530019179 | C'case Seal | 52. | 530047278 | Switch Wire Ass'y. | | | |
| 26. | 530015941 | Retain. Ring-C'shaft | 53. | 530036793 | Isolator-Shroud | | | |
| 27. | 530036578 | Muffler Body | | | | | | |

✓ = NEW PART NUMBER FOR THIS IPL

★ = REFER TO THE SERVICE REFERENCE INDICATED FOR MORE INFORMATION. (LOCATED AT END OF IPL)

Carburetor Assembly #530069754-WA226



| Ref. | Part No. | Description |
|------|-----------|---|
| 1. | 530038404 | Limiter Cap |
| 2. | 530069842 | Carburetor Repair Kit (● Indicates Contents) |
| 3. | 530069844 | Gasket/Diaphragm Kit (KIT= Indicates Contents) |
| 4. | 530035296 | Idle Screw & Spring Kit |
| 5. | 530035342 | Low Speed Spring |
| 6. | 530035341 | Low Speed Needle |

✓ = NEW PART NUMBER FOR THIS IPL
● = THESE PARTS ARE ILLUSTRATED FOR CLARITY. ORDER COMPLETE ASSEMBLY.
★ = REFER TO THE SERVICE REFERENCE INDICATED FOR MORE INFORMATION. (LOCATED AT END OF IPL)