

ILLUSTRATED PARTS BREAKDOWN

ELECTROLUX

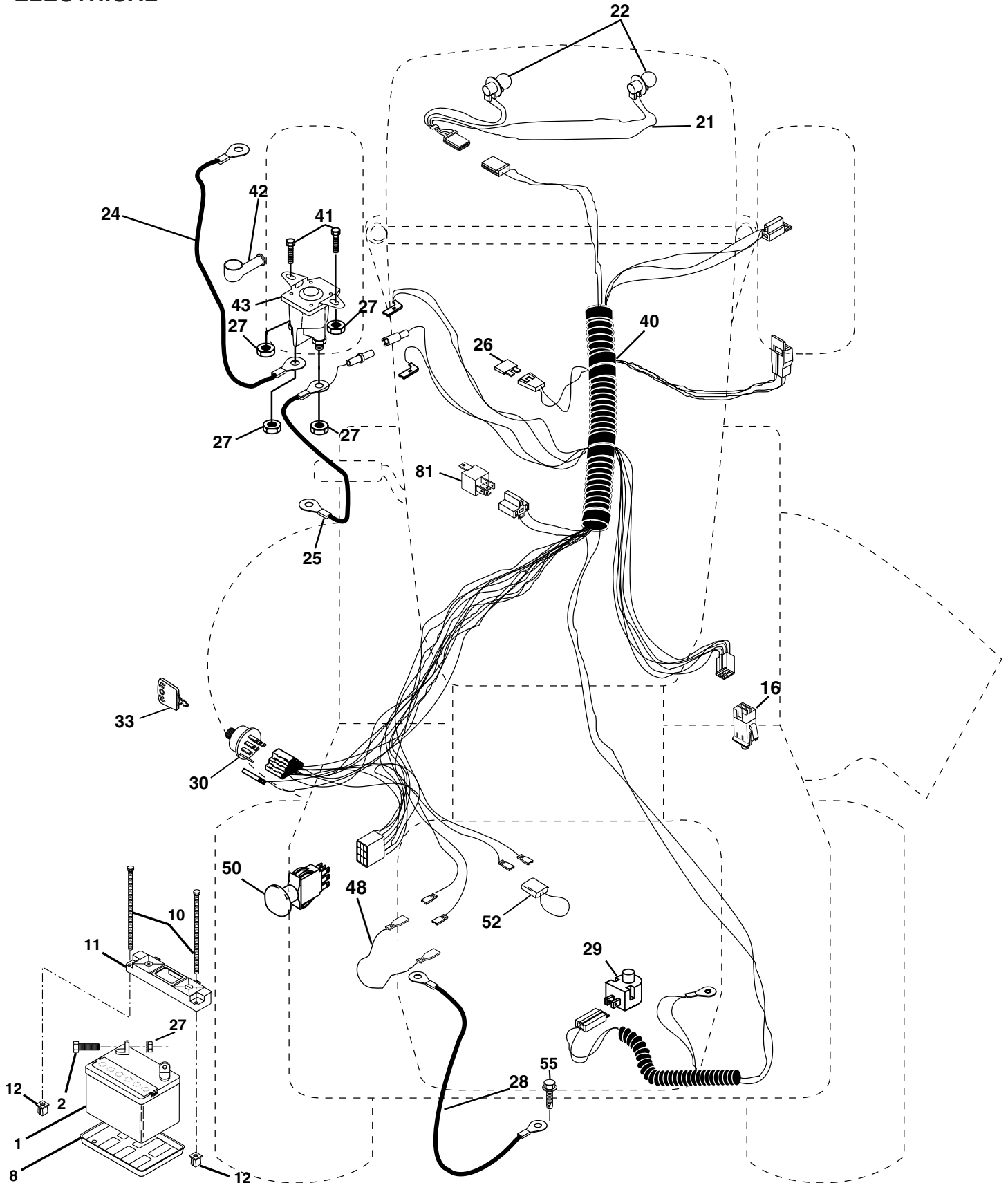
18.0 HP LAWN TRACTOR

MODEL NO. PM1850SBH (PM18H48SA)

964 77 09-00

REPAIR PARTS

TRACTOR - MODEL NO. PM1850SBH (PM18H48SA), PRODUCT NO. 964 77 09-00
ELECTRICAL



REPAIR PARTS

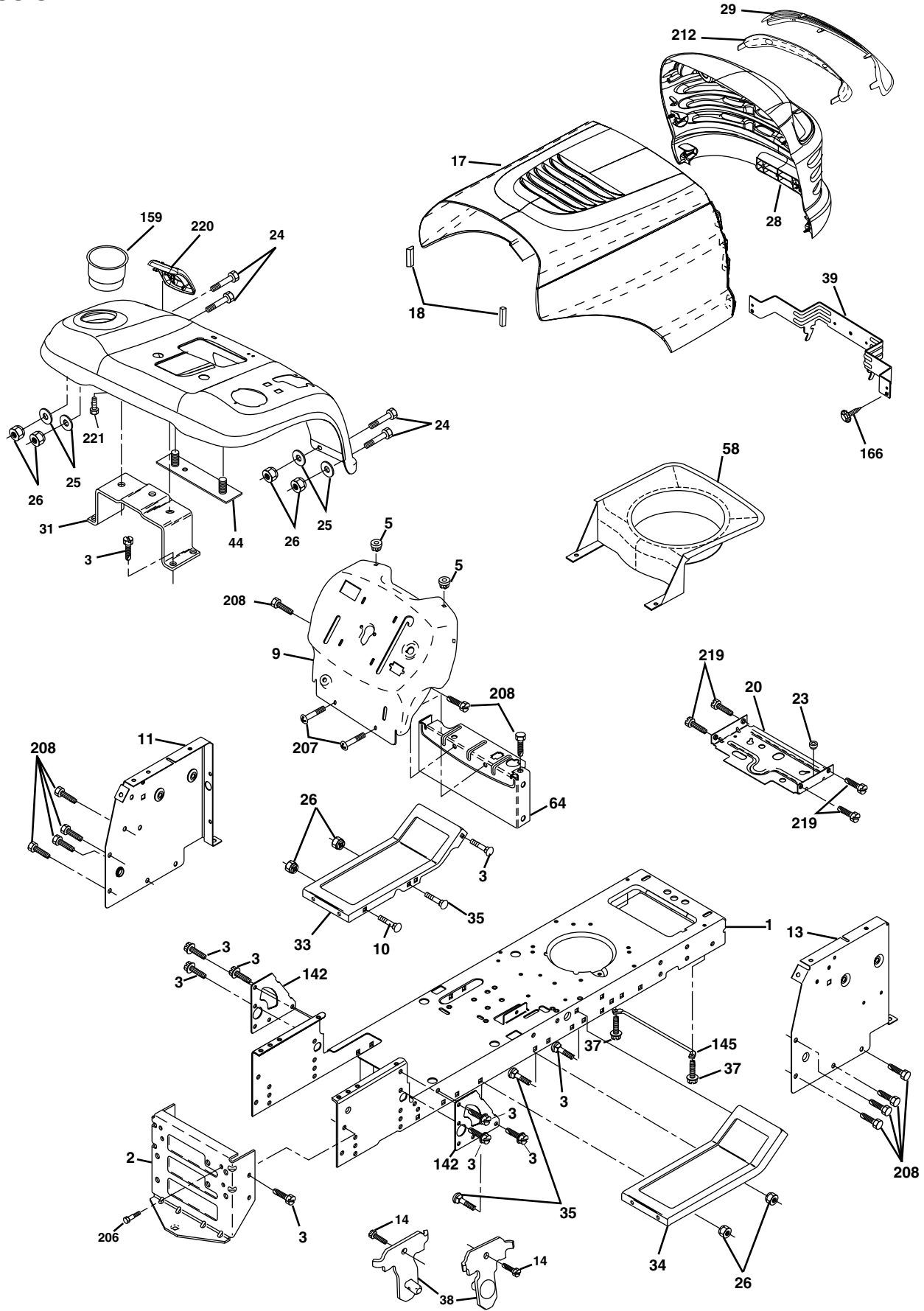
TRACTOR - MODEL NO. PM1850SBH (PM18H48SA), PRODUCT NO. 964 77 09-00
ELECTRICAL

| KEY NO. | PART NO. | DESCRIPTION |
|---------|----------|-----------------------------|
| 1 | 144927 | Battery |
| 2 | 74760412 | Bolt Hex Hd 1/4-20unc X 3/4 |
| 8 | 7603J | Tray Battery |
| 10 | 145211 | Bolt 1/4-20 x 7.5 |
| 11 | 150109 | Holddown Battery |
| 12 | 145769 | Nut Push Nylon 1/4" |
| 16 | 176138 | Switch Interlock |
| 21 | 175688 | Harness Socket Light |
| 22 | 4152J | Bulb, Light # 1156 |
| 24 | 4799J | Cable Battery |
| 25 | 146148 | Cable Battery |
| 26 | 175158 | Fuse |
| 27 | 73510400 | Nut Keps Hex 1/4-20 Unc |
| 28 | 145491 | Cable Ground |
| 29 | 160784 | Switch Plunger |
| 30 | 175566 | Switch Ign |
| 33 | 140401 | Key Ign Molded Generic |
| 40 | 179725 | Harness Ign |
| 41 | 71110408 | Bolt Fin Hex 1/4-20uncx 1/2 |
| 42 | 131563 | Cover Terminal Red |
| 43 | 178861 | Solenoid |
| 48 | 140844 | Adapter Ammeter |
| 50 | 174653 | Switch PTO |
| 52 | 141940 | Protection Loop |
| 55 | 17490508 | Screw Thdrol 5/16-18 x 1/2 |
| 81 | 109748X | Relay Asm. |

NOTE: All component dimensions given in U.S. inches
1 inch = 25.4 mm

REPAIR PARTS

TRACTOR - MODEL NO. PM1850SBH (PM18H48SA), PRODUCT NO. 964 77 09-00
CHASSIS



REPAIR PARTS

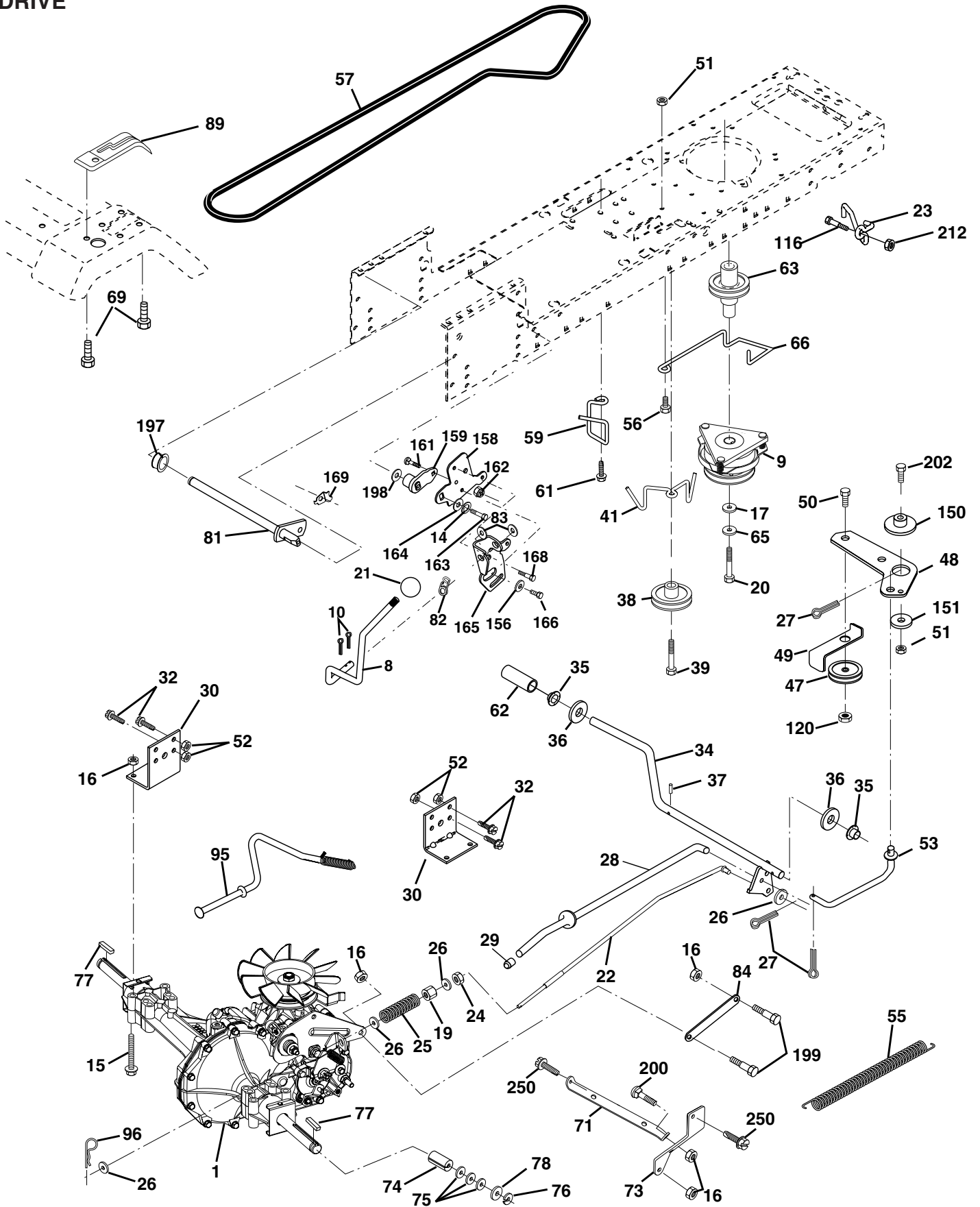
TRACTOR - MODEL NO. PM1850SBH (PM18H48SA), PRODUCT NO. 964 77 09-00
CHASSIS

| KEY NO. | PART NO. | DESCRIPTION |
|---------|------------|---------------------------------|
| 1 | 174619 | Chassis |
| 2 | 176554 | Drawbar |
| 3 | 17060612 | Screw 3/8-16 X .75 |
| 5 | 155272 | Bumper Hood/Dash |
| 9 | 168342X011 | Dash P/L |
| 10 | 72140608 | Bolt Carriage 3/8-16 x 1 |
| 11 | 174996 | Panel Dash Lh |
| 13 | 172106 | Panel Dash Rh |
| 14 | 17490608 | Screw Thdrol 3/8-16 x 1/2 |
| 17 | 174330X428 | Hood |
| 18 | 126938X | Bumper Hood |
| 20 | 180679 | Plate Mtg Battery Fuel Tank Fr |
| 23 | 124028X | Bushing |
| 24 | 74780616 | Bolt Fin Hex 3/8-16 x 1 Gr 5 |
| 25 | 19131312 | Washer 13/32 X 13/16 X 12 Ga |
| 26 | 73800600 | Nut Lock Hex W/Ins 3/8-16 Unc |
| 28 | 179749 | Grille/Lens Asm |
| 29 | 174332X599 | Lens LT/PL |
| 30 | 179775X428 | Fender |
| 31 | 175315 | Bracket Fender |
| 33 | 179716X428 | Footrest Pnt Lh |
| 34 | 179717X428 | Footrest Pnt Rh |
| 35 | 72110606 | Bolt Rdhd Sht Sqnk 3/8-16 x 3/4 |
| 37 | 17490508 | Screw Thdrol 6/16-18 x 1/2 TYT |
| 38 | 175710 | Bracket Asm Pivot Mower Rear |
| 39 | 174714 | Bracket Pivot Laser LT |
| 44 | 140675 | Strap Asm. Fender |
| 58 | 174930 | Duct Air |
| 64 | 154798 | Dash Lower STLT |
| 142 | 175702 | Plate Reinforcement STLT |
| 145 | 156524 | Rod Pivot Chassis/Hood |
| 159 | 179125X428 | Cupholder |
| 166 | 164863 | Screw Hi-Lo #13-16 x 3/4 |
| 206 | 170165 | Bolt Shoulder 5/16-18 |
| 207 | 17670508 | Screw Thdrol 5/16-18 x 1/2 |
| 208 | 17670608 | Screw Thdrol 3/8-16 x 1/2 |
| 212 | 175143 | Insert Lens Relect |
| 219 | 17000512 | Screw 5/16-18 x 3/4 |
| -- | 5479J | Plug |

NOTE: All component dimensions given in U.S. inches
1 inch = 25.4 mm

REPAIR PARTS

TRACTOR - MODEL NO. PM1850SBH (PM18H48SA), PRODUCT NO. 964 77 09-00
DRIVE



REPAIR PARTS

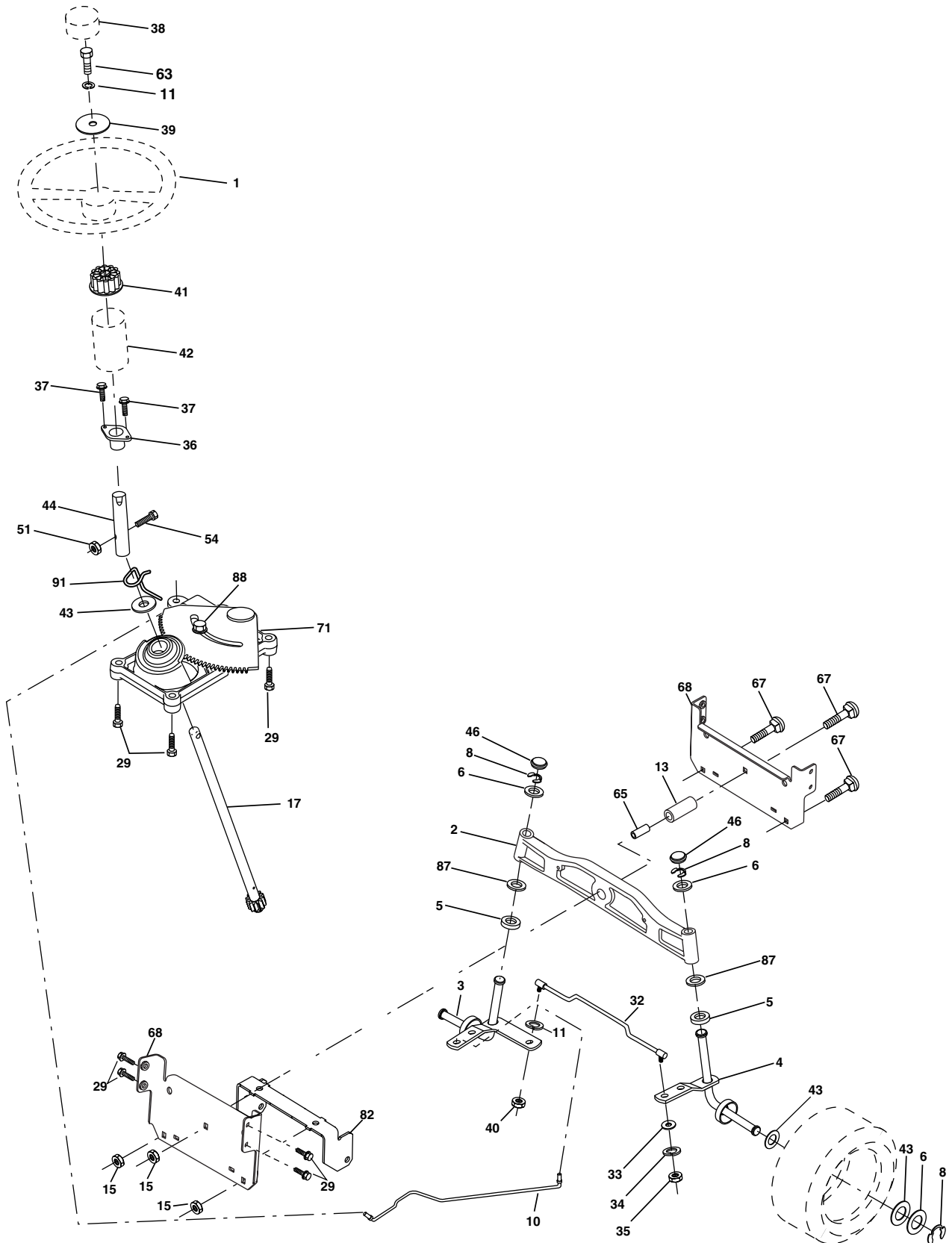
TRACTOR - MODEL NO. PM1850SBH (PM18H48SA), PRODUCT NO. 964 77 09-00 DRIVE

| KEY NO. | PART NO. | DESCRIPTION | KEY NO. | PART NO. | DESCRIPTION |
|---------|----------|---|---------|------------|----------------------------------|
| 1 | ----- | Transaxle Hydro Gear 314-0510 (Order Parts From Transaxle Manufacturer) | 63 | 175417 | Pulley, Engine |
| 8 | 166020 | Rod Shift Hydro | 65 | 10040700 | Washer |
| 9 | 174367 | Clutch Electric | 66 | 154778 | Keeper Belt Engine |
| 10 | 76020416 | Pin Cotter 1/8 x 1 CAD | 69 | 142432 | Screw |
| 14 | 10040400 | Washer Lock Hvy Helical | 71 | 169183 | Strap Torque Lh Hydro |
| 15 | 74490544 | Bolt, Hex FLGHD 5/16-18 Gr. 5 | 73 | 169182 | Strap Torque Rh Hydro |
| 16 | 73800500 | Nut Lock Hex W/Ins 5/16-18 Unc P | 74 | 137057 | Spacer, Axle |
| 17 | 126197X | Washer 1-1/2 OD X 15/32 ID X .250 | 75 | 121749X | Washer 25/32 x 1-1/4 x 16 Gauge |
| 19 | 73800600 | Nut Lock Hex W/Wsh 3/8-16 Unc | 76 | 12000001 | E-Ring |
| 20 | 173937 | Bolt Hex 7/16-20 x 4 x Gr. 5-1.5 Thr. | 77 | 123583X | Key, Square |
| 21 | 140845 | Knob, Round 1/2-13 | 78 | 121748X | Washer 25/32 x 1-5/8 x 16 Gauge |
| 22 | 169498 | Rod, Brake Hydro | 81 | 165596 | Shaft Asm. Cross Hydro |
| 23 | 178289 | Bracket Anti-Rotation CVX | 82 | 123782X | Spring Torsion T/A |
| 24 | 73350600 | Nut | 83 | 19171216 | Washer 17/32 x 3/4 x 16 Ga. |
| 25 | 106888X | Spring, Brake Rod | 84 | 169594 | Link Transaxle |
| 26 | 19131316 | Washer | 89 | 179121X428 | Console, Hydro |
| 27 | 76020412 | Pin Cotter 1/8 x 3/4 CAD. | 95 | 170201 | Control Asm Bypass Hydro |
| 28 | 175765 | Rod, Parking Brake | 96 | 4497H | Retainer Spring 1" Zinc/Cad |
| 29 | 71673 | Cap, Parking Brake | 116 | 72140608 | Bolt RDHD SQNK 3/8-16 UNC x 1 |
| 30 | 169592 | Bracket, Transaxle | 120 | 73900600 | Nut Lock Flg 3/8-16 Unc |
| 32 | 74760512 | Bolt Hex Hd 5/16-18 Unc x 3/4 | 150 | 175456 | Spacer Retainer |
| 34 | 175578 | Shaft, Foot Pedal | 151 | 19133210 | Washer 13/32 x 2 x 10 Ga. |
| 35 | 120183X | Bearing, Nylon | 156 | 166002 | Washer Srrted 5/16 ID x 1.125 |
| 36 | 19211616 | Washer | 158 | 165589 | Bracket Shift Mount |
| 37 | 1572H | Pin, Roll | 159 | 165494 | Hub Tapered Flange Shift Lt |
| 38 | 179114 | Pulley, Composite, Flat | 161 | 72140406 | Bolt Rdhd Sqnk 1/4-20 x 3/4 Gr 5 |
| 39 | 74760648 | Bolt, Fin Hex 3/8-16 x 3 | 162 | 73680400 | Nut Crownlock 1/4-20 Unc |
| 41 | 175556 | Keeper, Belt Idler | 163 | 74780416 | Bolt Hex Fin 1/4-20 Unc x 1 Gr 5 |
| 47 | 127783 | Pulley, Idler, V-Groove | 164 | 19091010 | Washer 5/8 x .281 x 10 Ga |
| 48 | 154407 | Bellcrank Clutch Grnd Drv STL | 165 | 165623 | Bracket Pivot Lever |
| 49 | 123205X | Retainer, Belt | 166 | 166880 | Screw 5/16-18 x 5/8 |
| 50 | 74760624 | Bolt | 168 | 165492 | Bolt Shoulder 5/16-18 x .561 |
| 51 | 73680600 | Nut Crownlock 3/8-16 UNC | 169 | 165580 | Plate Fastening Lt |
| 52 | 73680500 | Nut Crownlock 5/16-18 UNC | 197 | 169613 | Nyliner Snap-In 5/8" ID |
| 53 | 105710X | Link, Clutch | 198 | 169593 | Washer Nyl 7/8 ID x .105 |
| 55 | 105709X | Spring, Return, Clutch | 199 | 169612 | Bolt Shoulder 5/16-18 Unc |
| 56 | 17060620 | Screw 3/8-16 x 1-1/4 | 200 | 72140508 | Bolt Rdhd Sqnk 5/16-18 Unc x 1 |
| 57 | 140294 | V-Belt, Ground Drive | 202 | 72110612 | Bolt Carr Sh 3/8-16 x 1-1/2 |
| 59 | 169691 | Keeper, Center Span | 212 | 145212 | Nut Hex flange Lock |
| 61 | 17120614 | Screw 3/8-16 x .875 | 250 | 17060612 | Screw Thdrol. 3/8-16 x .75 |
| 62 | 8883R | Cover, Pedal | | | |

NOTE: All component dimensions given in U.S. inches
1 inch = 25.4 mm

REPAIR PARTS

TRACTOR - MODEL NO. PM1850SBH (PM18H48SA), PRODUCT NO. 964 77 09-00
STEERING ASSEMBLY



REPAIR PARTS

TRACTOR - MODEL NO. PM1850SBH (PM18H48SA), PRODUCT NO. 964 77 09-00
STEERING ASSEMBLY

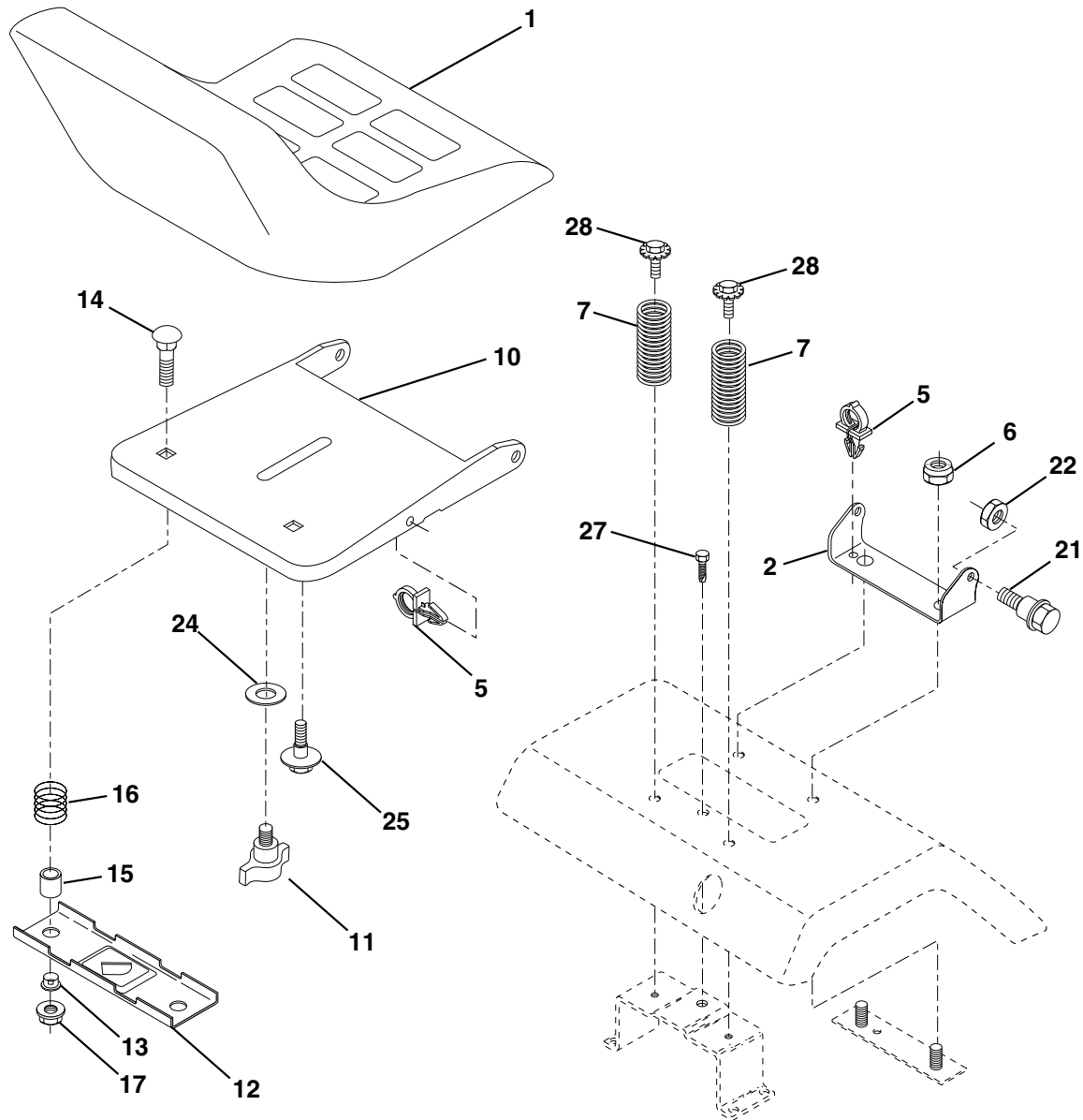
| KEY NO. | PART NO. | DESCRIPTION |
|---------|------------|----------------------------------|
| 1 | 159944X428 | Wheel Steering |
| 2 | 172393 | Axle Asm Cast Iron LT |
| 3 | 169840 | Spindle Asm LH |
| 4 | 169839 | Spindle Asm RH |
| 5 | 6266H | Bearing Race Thrust Harden |
| 6 | 121748X | Washer 25/32 X 1-5/8 X 16 Ga |
| 8 | 12000029 | Ring Klip #t5304-75 |
| 10 | 175121 | Link Drag |
| 11 | 10040600 | Washer Lock Hvy Hlcl Spr 3/8 |
| 13 | 136518 | Spacer Brg Axle Front |
| 15 | 145212 | Nut Hex Flange Lock |
| 17 | 177876 | Shaft Asm Steering |
| 29 | 17060612 | Screw 3/8-16 x .75 |
| 32 | 170162 | Rod Tie |
| 33 | 19111216 | Washer 11/32 x 3/4 x 16 Ga |
| 34 | 10040500 | Washer Lock Hvy Hlcl Spr 5/16 |
| 35 | 73540500 | Crownlock Nut 5/16-24 Unf |
| 36 | 155099 | Bushing Strg |
| 37 | 152927 | Screw |
| 38 | 159946X428 | Insert Cap Strg Wh |
| 39 | 19132411 | Washer 13/32 X 1-1/20 X 11 Ga |
| 40 | 7810H | Lock nut |
| 41 | 159945 | Adaptor Wheel Strg |
| 42 | 145054X428 | Boot Steering Dash |
| 43 | 121749X | Washer 25/32 X 1 1/4 X 16 Ga |
| 44 | 153720 | Extension Steering Shaft LR/LT |
| 46 | 121232X | Cap Spindle Fr Top Blk |
| 51 | 73800500 | Nut Lock Hex w/Ins 5/16-18 |
| 54 | 74780520 | Bolt Fin Hex 5/16-18 Unc x 1-1/4 |
| 63 | 74780616 | Bolt Fin Hex 3/8-16unc x 1 Gr. 5 |
| 65 | 160367 | Spacer Brace Axle |
| 67 | 72140618 | Bolt Rdhd Sq 3/8-16 Unc x 2-3/4 |
| 71 | 175146 | Steering Asm |
| 68 | 169827 | Axle, Brace |
| 82 | 169835 | Bracket Susp Chassis Front |
| 87 | 173966 | Washer Flat .781 x 1-1/2 x .14 |
| 88 | 175118 | Bolt Shoulder 7/16-20 Unc |
| 91 | 175553 | Clip Steering |

NOTE: All component dimensions given in U.S. inches

1 inch = 25.4 mm

REPAIR PARTS

TRACTOR - MODEL NO. PM1850SBH (PM18H48SA), PRODUCT NO. 964 77 09-00
SEAT ASSEMBLY



| KEY NO. | PART NO. | DESCRIPTION |
|---------|----------|--------------------------------|
| 1 | 171683 | Seat |
| 2 | 140551 | Bracket Pivot Seat 8 720 |
| 5 | 145006 | Clip Push-In |
| 6 | 73800600 | Nut Hex w/Ins. 3/8-16 Unc |
| 7 | 124181X | Spring Seat Cprsn 2 250 Blk Zi |
| 10 | 174894 | Pan Seat |
| 11 | 166369 | Knob Seat |
| 12 | 121246X | Bracket Mounting Switch |
| 13 | 121248X | Bushing Snap Blk Nyl 50 Id |
| 14 | 72050412 | Bolt Rdhd Sqnk 1/4-20x1-1/2 |
| 15 | 134300 | Spacer Split 28x 88 |

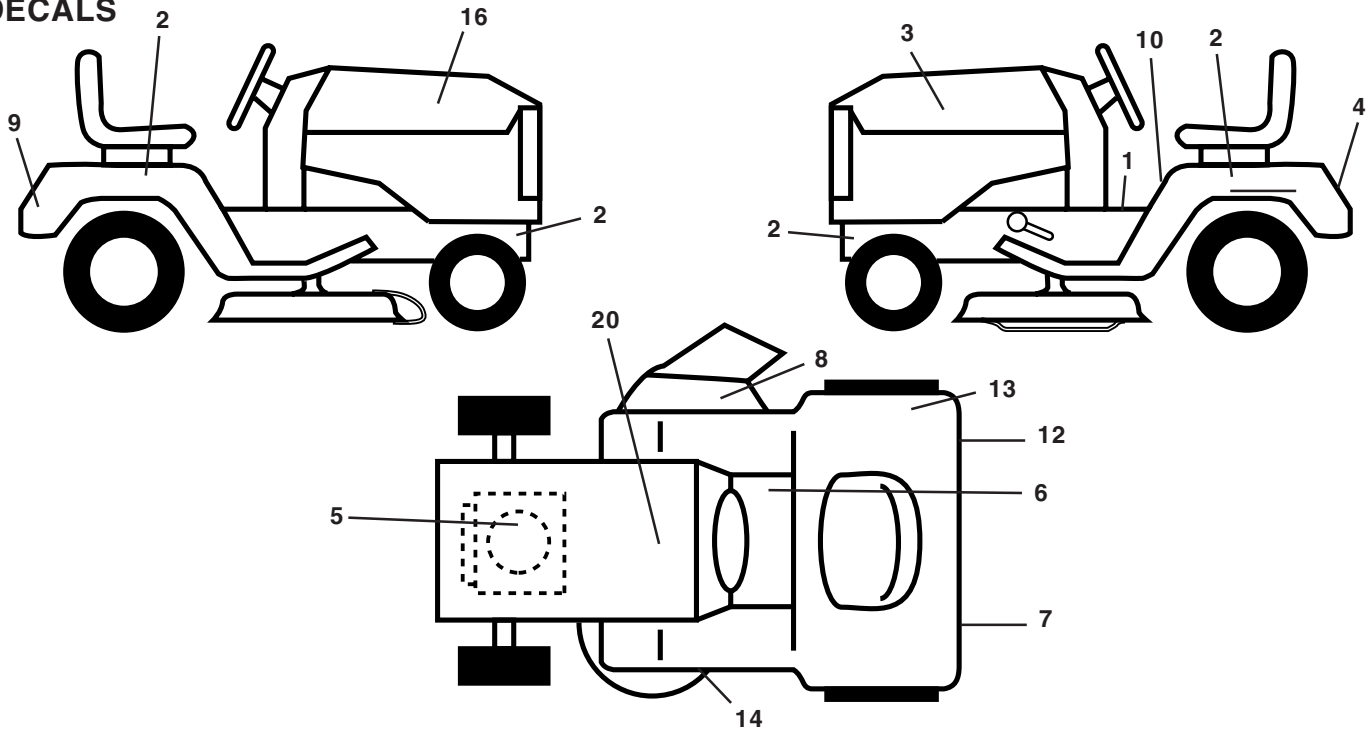
| KEY NO. | PART NO. | DESCRIPTION |
|---------|----------|--------------------------------|
| 16 | 121250X | Spring Cprsn |
| 17 | 123976X | Nut Lock 1/4 Lge Flg Gr 5 Zinc |
| 21 | 171852 | Bolt Shoulder 5/16-18 Unc |
| 22 | 73800500 | Nut Hex Lock W/Ins 5/16-18 |
| 24 | 19171912 | Washer 17/32 X 1-3/16 X 12 Ga. |
| 25 | 127018X | Bolt Shoulder 5/16-18 X 62 |
| 27 | 17490608 | Screw Thdrol. 3/8-16 x 1/2 |
| 28 | 171877 | Bolt 5/16-18 Unc x 3/4 w/Sems |

NOTE: All component dimensions given in U.S. inches
1 inch = 25.4 mm

REPAIR PARTS

TRACTOR - MODEL NO. PM1850SBH (PM18H48SA), PRODUCT NO. 964 77 09-00

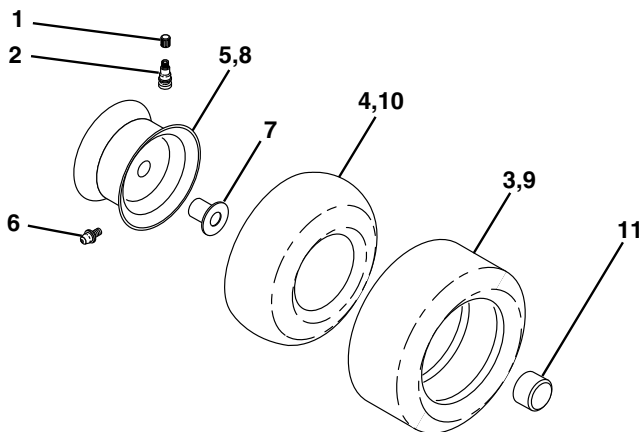
DECALS



| KEY NO. | PART NO. | DESCRIPTION |
|---------|----------|---------------------------------|
| 1 | 159737 | Decal Brake/Clutch Symbol |
| 2 | 159736 | Decal Hot Muffler |
| 3 | 181622 | Decal Hood LH |
| 4 | 181623 | Decal Bagger |
| 5 | 180707 | Decal HP Engine |
| 6 | 140837 | Decal Saddle Brake Parking |
| 7 | 174969 | Decal Fend Reflector Lh |
| 8 | 145494 | Decal Mower Warn Keep Hand Away |
| 9 | 172740 | Decal Fender Logo |
| 10 | 145498 | Decal Read Owner's Manual |
| 12 | 174970 | Decal Fend Reflector Rh |

| KEY NO. | PART NO. | DESCRIPTION |
|---------|------------|--------------------------------|
| 13 | 180432 | Decal Fender DB/CE |
| 14 | 175291 | Decal V-Belt Schematic |
| 16 | 181621 | Decal Hood RH |
| 20 | 145005 | Decal Bat Dan/Psn |
| -- | 169210 | Decal By Pass Lt Hydro |
| -- | 179769X428 | Pad Footrest RH |
| -- | 179768X428 | Pad Footrest LH |
| -- | 138311 | Decal Handle Lft Height Adjust |
| -- | 162598 | Decal Drawbar Load Limit |
| -- | 179903 | Manual Operator's (Euro) |
| -- | 179904 | Manual Operator's (Scand) |

WHEELS AND TIRES

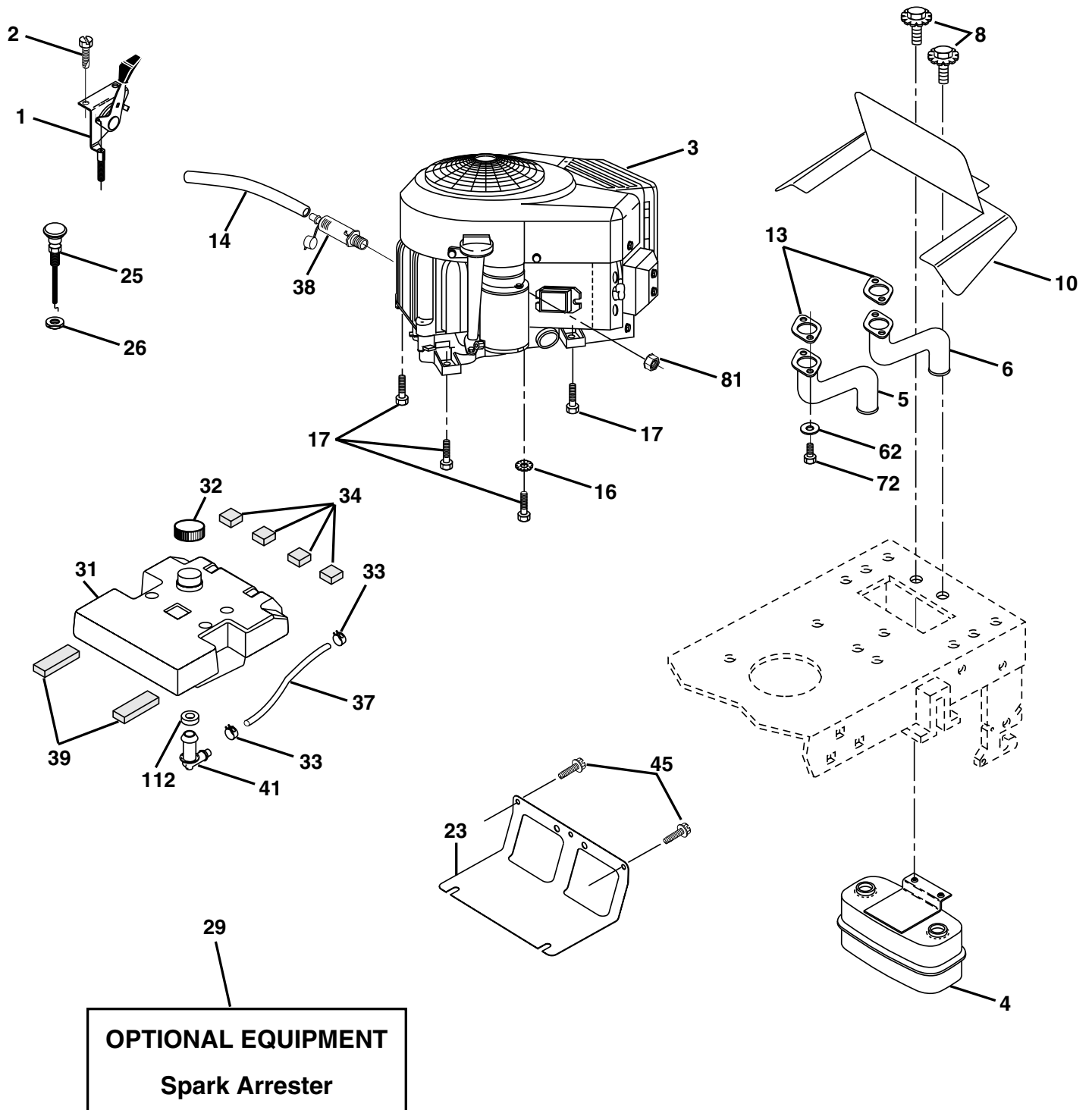


| KEY NO. | PART NO. | DESCRIPTION |
|---------|------------|-----------------------------------|
| 1 | 59192 | Cap Valve Tire |
| 2 | 65139 | Stem Valve |
| 3 | 170455 | Tire F T 15 X 6 0 - 6 Service |
| 4 | 59904 | Tube Front (Service Item Only) |
| 5 | 106732X421 | Rim Asm 6"front Service |
| 6 | 278H | Fitting Grease (Front Wheel Only) |
| 7 | 9040H | Bearing Flange (Front Wheel nly) |
| 8 | 106108X421 | Rim Asm 8"rear Service |
| 9 | 170456 | Tire R T 20x10-8 Service |
| 10 | 7152J | Tube Rear (Service Item Only) |
| 11 | 104757X421 | Cap Axle Blk 1 50 X 1 00 |
| -- | 144334 | Sealant, Tire (10 oz. Tube) |

NOTE: All component dimensions given in U.S. inches
1 inch = 25.4 mm

REPAIR PARTS

TRACTOR - MODEL NO. PM1850SBH (PM18H48SA), PRODUCT NO. 964 77 09-00
ENGINE



REPAIR PARTS

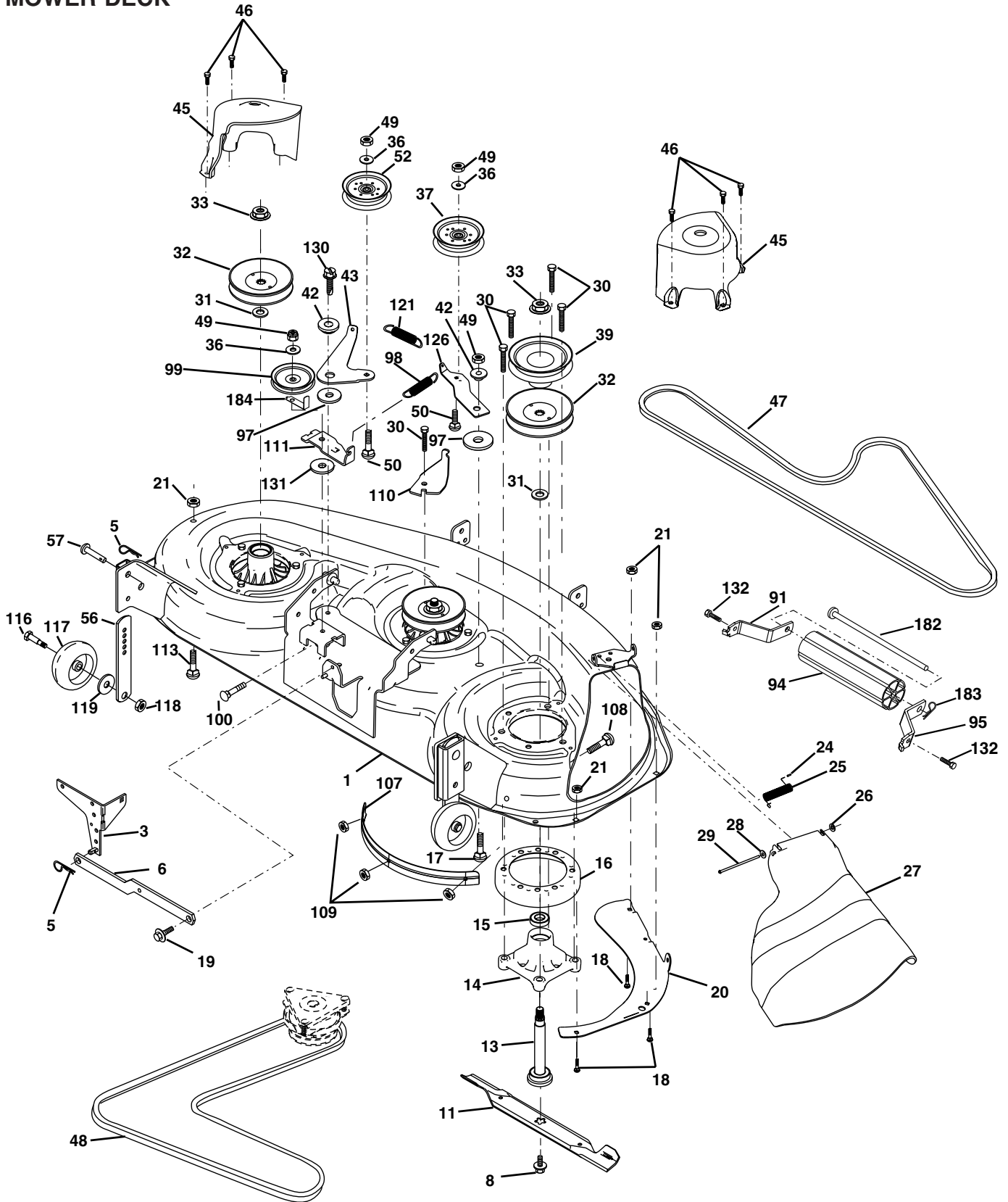
TRACTOR - MODEL NO. PM1850SBH (PM18H48SA), PRODUCT NO. 964 77 09-00
ENGINE

| KEY NO. | PART NO. | DESCRIPTION |
|---------|------------|--|
| 1 | 170803 | Control, Throttle |
| 2 | 17720408 | Screw Hex Thd Cut 1/4-20 x 1/2 |
| 3 | ----- | Engine Briggs Model 407777 (Order Parts from Engine Mfg.) |
| 4 | 149723 | Muffler, Asm. Twin Lo-Tone |
| 5 | 160589 | Pipe Exhaust Intek 20 RH |
| 6 | 159955 | Pipe Exhaust Intek 20 LH |
| 8 | 171877 | Bolt 5/16-18 UNC x 3/4 w/Sems |
| 10 | 162797 | Shield Browing B&S Intek II |
| 13 | 165391 | Muffler Gasket |
| 14 | 148456 | Tube Drain Oil Easy |
| 16 | 11050600 | Washer, Lock Ext tooth 3/8 |
| 17 | 17060624 | Screw 3/8-16 x 1-1/2 |
| 23 | 169837 | Shield, Browning/Debris Guard |
| 25 | 145996 | Control Choke |
| 26 | 73920600 | Nut Keps 3/8-24 UNF |
| 29 | 137180 | Arrester, Spark |
| 31 | 179115 | Tank, Fuel |
| 32 | 179124X428 | Cap, Fuel |
| 33 | 123487X | Clamp, Hose Blk |
| 34 | 106082X | Pad Spacer |
| 37 | 8543R | Fuel Line |
| 38 | 148315 | Plug Drain Oil Easy |
| 39 | 109227X | Pad Idler |
| 41 | 139277 | Stem Tank Fuel |
| 45 | 17000612 | Screw Hex Wsh Thdrol 3/8-16 x 3/4 |
| 62 | 10040500 | Washer Lock Hvy Hlcl Spr 5/16 |
| 72 | 71070512 | Screw Hex Hd Cap 5/16-18 x 3/4 |
| 81 | 73510400 | Nut Keps Hex 1/4-20 Unc |
| 112 | 3645J | Bushing |

NOTE: All component dimensions given in U.S. inches
1 inch = 25.4 mm

REPAIR PARTS

TRACTOR - MODEL NO. PM1850SBH (PM18H48SA), PRODUCT NO. 964 77 09-00
MOWER DECK



REPAIR PARTS

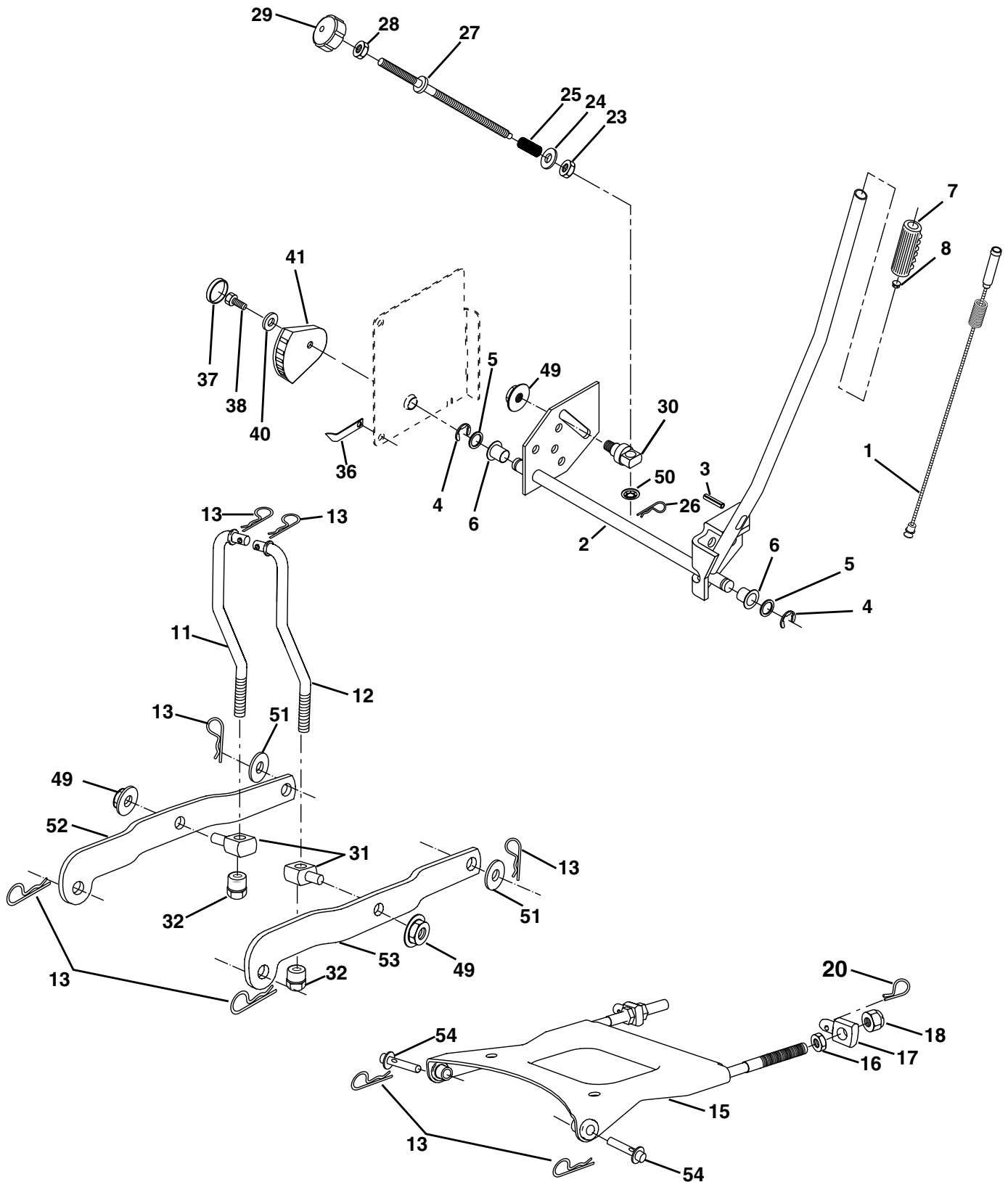
**TRACTOR - MODEL NO. PM1850SBH (PM18H48SA), PRODUCT NO. 964 77 09-00
MOWER DECK**

| KEY NO. | PART NO. | DESCRIPTION | KEY NO. | PART NO. | DESCRIPTION |
|---------|------------|----------------------------------|---------|----------|---|
| 1 | 180359 | Deck Weldment Mower 48 | 49 | 73680600 | Nut, Crownlock 3/8-16 UNC |
| 3 | 138017 | Bracket Asm., Sway Bar | 50 | 72110612 | Bolt, Carriage 3/8-16 x 1-1/2 Gr. 5 |
| 5 | 4939M | Retainer Spring | 52 | 175820 | Pulley Idler Flat 46 Pri. Drive |
| 8 | 174365 | Bolt, 7/16 Asm. Blade | 56 | 155986 | Bar Pnt Adjusting Wheel Gauge |
| 11 | 180054 | Blade | 57 | 156941 | Pin Head Rivet |
| 13 | 175147 | Shaft Asm. | 91 | 180534 | Bracket, Asm Noseroller, LH 48 |
| 14 | 174358 | Housing Mandrel 48" | 94 | 176066 | Roller, Nose 48" |
| 15 | 110485X | Bearing, Ball, Mandrel | 95 | 180535 | Bracket, Asm Noseroller RH 48 |
| 16 | 174493 | Stripper, Mower | 97 | 133943 | Washer Hardened |
| 17 | 72110610 | Bolt Rdhd Sq Neck 3/8-16 x 1.25 | 98 | 179479 | Spring Primary Drive |
| 18 | 72140505 | Bolt, Carriage 5/16-18 x 5/8 | 99 | 175080 | Pulley Idler "V" |
| 19 | 132827 | Bolt, Hex Head, Shoulder 5/16-18 | 100 | 72110616 | Bolt RDHD Sqnk 3/8-16 Unc x 2 |
| 20 | 174378 | Baffle, Vortex Mower | 107 | 175294 | Baffle Vac Edge Mower |
| 21 | 73680500 | Nut, Crownlock 5/16-18 UNC | 108 | 72110404 | Bolt Carr. |
| 24 | 105304X | Cap, Sleeve | 109 | 73680400 | Nut Crownlock 1/4-20 |
| 25 | 178102 | Spring, Torsion | 110 | 175016 | Arm Spring Secondary |
| 26 | 110452X | Nut, Push | 116 | 137644 | Bolt, Shoulder |
| 27 | 180655X428 | Shield, Deflector Mower | 117 | 174873 | Gauge Wheel |
| 28 | 19111016 | Washer 11/32 x 5/8 x 16 Ga. | 118 | 73930600 | Nut, Centerlock 3/8-16 UNC |
| 29 | 131491 | Rod, Hinge | 119 | 19121414 | Washer 3/8 x 7/8 x 14 Ga. |
| 30 | 173984 | Screw, Thdroll, Washer Head | 121 | 174371 | Spring Secondary Drive |
| 31 | 129963 | Washer, Spacer Mower Vented | 122 | 174606 | Bushing Pivot Tension Relief |
| 32 | 177865 | Pulley, Mandrel | 126 | 174372 | Arm, Idler, Primary Deck |
| 33 | 178342 | Nut, Flg. Top Lock Cntr. 9/16 | 132 | 74760516 | Bolt 5/16-18 x 1 |
| 36 | 19131316 | Washer 13/32 x 13/16 x 16 Ga. | 182 | 179127 | Rod, Nose Roller |
| 37 | 177968 | Pulley, Idler, Flat | 183 | 163552 | Retainer, Spring |
| 39 | 174375 | Pulley, Idler, Driven | -- | 181704 | Replacement Mower, Complete |
| 42 | 165723 | Spacer, Retainer | -- | 174357 | Mandrel Assembly Service (Includes Housing, Shaft, and Shaft Hardware Only - Pulley Not Included) |
| 43 | 174373 | Arm, Idler Secondary | | | |
| 45 | 174343 | Cover, Mandrel Deck | | | |
| 46 | 137729 | Screw, Thdroll. 1/4-20 x 5/8 | | | |
| 47 | 180808 | V-Belt, Mower, Secondary | | | |
| 48 | 174368 | V-Belt, Mower, Primary | | | |

NOTE: All component dimensions given in U.S. inches
1 inch = 25.4 mm

REPAIR PARTS

TRACTOR - MODEL NO. PM1850SBH (PM18H48SA), PRODUCT NO. 964 77 09-00
MOWER LIFT



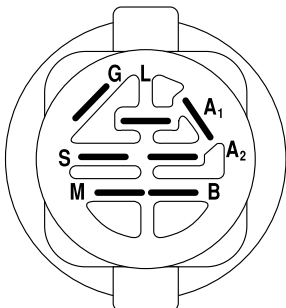
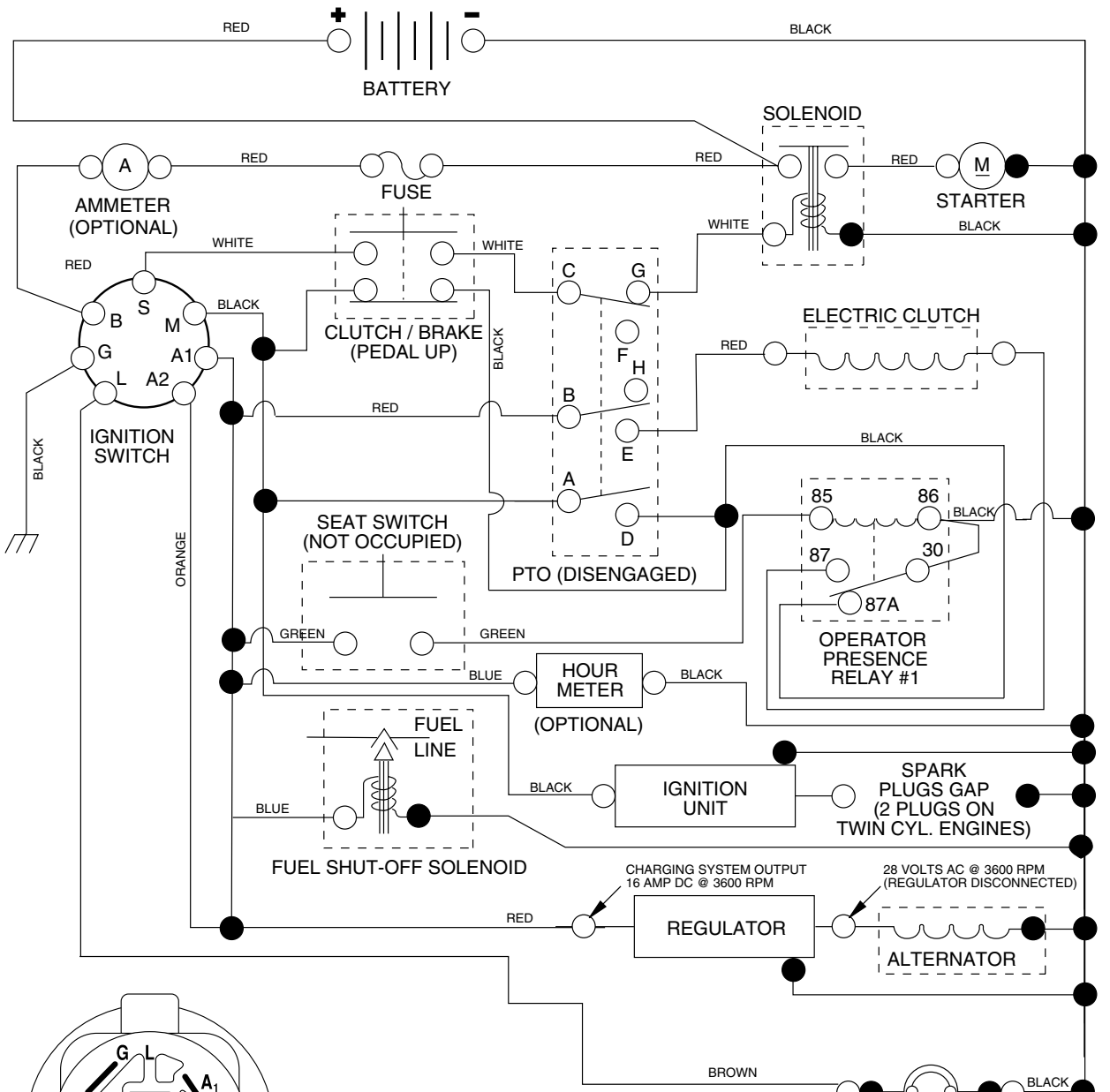
REPAIR PARTS

TRACTOR - MODEL NO. PM1850SBH (PM18H48SA), PRODUCT NO. 964 77 09-00
MOWER LIFT

| KEY NO. | PART NO. | DESCRIPTION |
|---------|----------|------------------------------------|
| 1 | 159460 | Wire Asm Inner/Spring W/Plunger LT |
| 2 | 159471 | Shaft Asm Lift RH w/Inf |
| 3 | 105767X | Pin Groove 1 500 Zinc |
| 4 | 12000002 | E Ring #5133-62 |
| 5 | 19211621 | Washer 21/32 X 1 X 21 Ga |
| 6 | 120183X | Bearing Nylon Blk 629 Id |
| 7 | 125631X | Grip Handle Fluted Blk |
| 8 | 170770 | Button Plunger |
| 11 | 175370 | Link Lift LH |
| 12 | 175371 | Link Lift RH |
| 13 | 4939M | Retainer Spring |
| 15 | 175562 | Plate Asm Susp Front |
| 16 | 73350800 | Nut Jam Hex 1/2-13 Unc |
| 17 | 175689 | Trunnion |
| 18 | 73800800 | Nut Lock w/Wsh 1/2-13unc |
| 20 | 163552 | Retainer Spring |
| 23 | 110807X | Nut Special |
| 24 | 19131016 | Washer 13/32 X 5/8 X 16 Ga |
| 25 | 2876H | Spring 2-1/8" |
| 26 | 169484 | Retainer Clip |
| 27 | 126971X | Rod Adj Lift Zinc 7.49 Wrk Lg |
| 28 | 73350600 | Nut Hex Jam 3/8-16 Unc |
| 29 | 138057 | Knob Inf 3/8-16 Unc Blk W/sym |
| 30 | 150233 | Trunnion Infin Height |
| 31 | 176205 | Trunnion |
| 32 | 175994 | Nut Lift Link 7/16-20 |
| 36 | 155097 | Indicator Height STLT |
| 37 | 123935X | Plug Hole Blk 1.485/1.515 Dia. |
| 38 | 17060516 | Screw 5/16-18 x 1 |
| 40 | 19112410 | Washer 11/32 x 1-1/2 10 Ga. |
| 41 | 155098 | Scale Ind. Height Blk. |
| 49 | 145212 | Nut Hex Flange Lock |
| 50 | 110452X | Nut, Push Phos & Oil |
| 51 | 19171416 | Washer 17/32 x 7/8 x 16 Ga. |
| 52 | 175378 | Arm Susp. Rear Lh |
| 53 | 175802 | Arm Susp. Rear Rh |
| 54 | 175560 | Pin Flange |

NOTE: All component dimensions given in U.S. inches
1 inch = 25.4 mm

TRACTOR - MODEL NO. PM1850SBH (PM18H48SA), PRODUCT NO. 964 77 09-00 SCHEMATIC



IGNITION SWITCH

| POSITION | CIRCUIT | "MAKE" |
|-----------|------------|--------|
| OFF | M+G+A1 | NONE |
| RUN/LIGHT | B+A1 | A2+L |
| RUN | B+A1 | NONE |
| START | B + S + A1 | NONE |

WIRING INSULATED CLIPS
NOTE: IF WIRING INSULATED CLIPS WERE REMOVED FOR SERVICING OF UNIT, THEY SHOULD BE REPLACED TO PROPERLY SECURE YOUR WIRING.

PTO SWITCH

| POSITION | CIRCUIT |
|----------|---------------------|
| OFF | C + G, B + H |
| ON | C + F, B + E, A + D |

