



REPAIR PARTS MANUAL
MODEL NO. MI145HCRDC
Lawn Tractor

 **McCULLOCH**®

HOW TO USE THIS MANUAL

This manual is designed to provide the customer with a means to identify the parts on his/her tractor when ordering repair parts. The illustrations may or may not represent the actual assemblies; therefore, it is not recommended to use this manual as a guide to assemble or disassemble the tractor. Some hardware and parts are drawn larger in order to more readily identify them.

Each tractor has its own model number.

The model number for your tractor can be found on the fender under the seat.

When ordering parts, always give the following information:

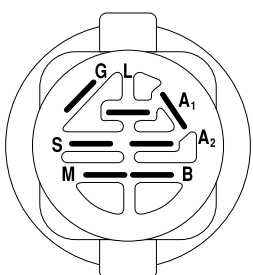
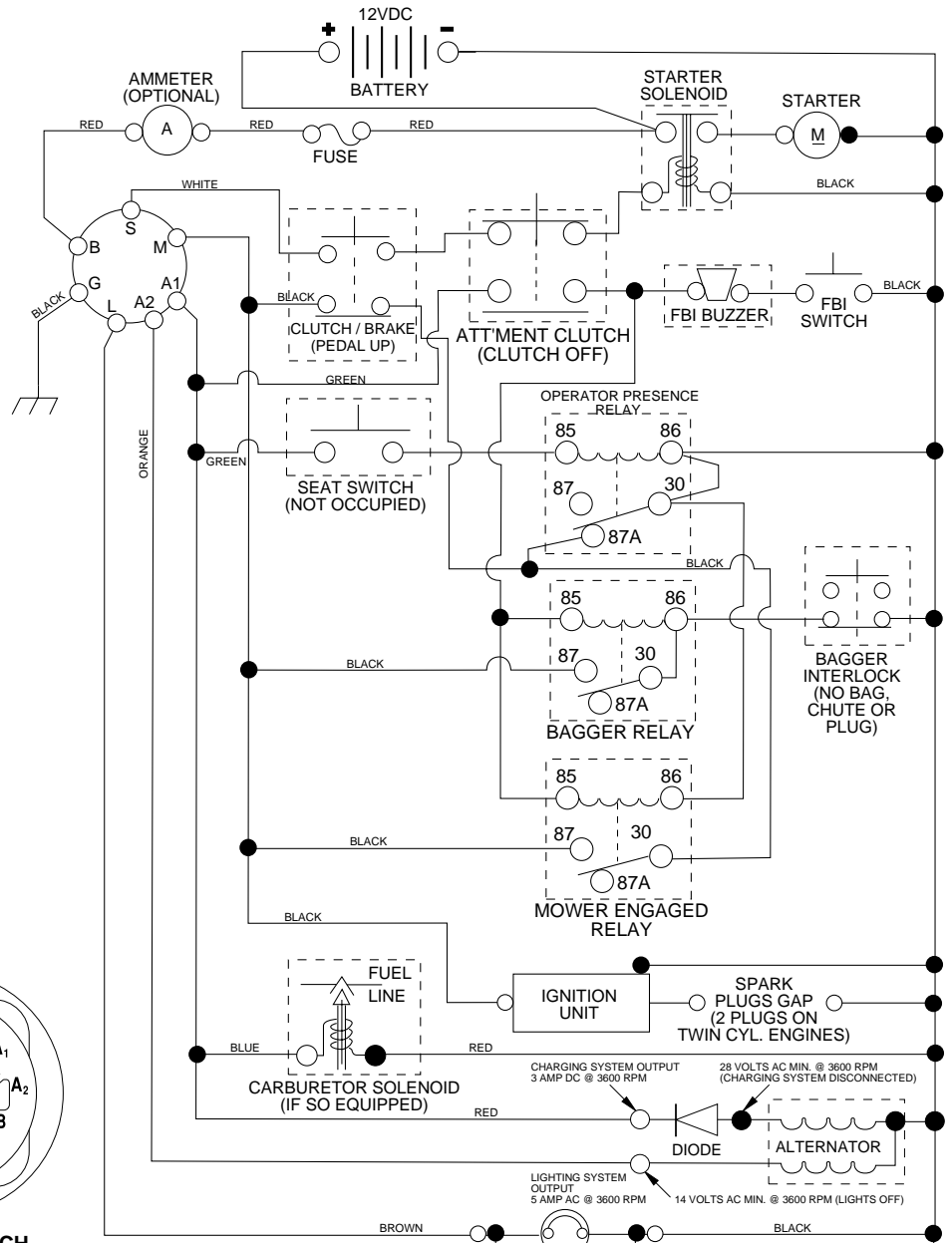
- Product - "Tractor"
- Model Number - "MI145HCRDC"
- Part Number
- Part Description

TABLE OF CONTENTS

| | |
|------------------------|--------------|
| SCHEMATIC..... | 3 |
| ELECTRICAL..... | 4-5 |
| CHASSIS..... | 6-7 |
| DRIVE..... | 8-9 |
| STEERING..... | 10-11 |
| SEAT..... | 12 |
| DECALS..... | 13 |
| ENGINE..... | 14-15 |
| MOWER LIFT..... | 16-17 |
| MOWER DECK..... | 18-19 |
| BAGGER..... | 20-21 |

TRACTOR- -MODEL NO. MI145HCRDC, PRODUCT 954 12 00-38

SCHEMATIC



IGNITION SWITCH

| POSITION | CIRCUIT | "MAKE" |
|-----------|------------|--------|
| OFF | M+G+A1 | NONE |
| RUN/LIGHT | B+A1 | A2+L |
| RUN | B+A1 | NONE |
| START | B + S + A1 | NONE |

WIRING INSULATED CLIPS
NOTE: IF WIRING INSULATED CLIPS WERE REMOVED FOR SERVICING OF UNIT, THEY SHOULD BE REPLACED TO PROPERLY SECURE YOUR WIRING.

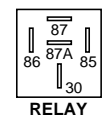
● NON-REMOVABLE CONNECTIONS

○ REMOVABLE CONNECTIONS

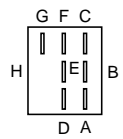
PTO SWITCH

| POSITION | CIRCUIT |
|----------|---------------------|
| OFF | C + G, B + H |
| ON | C + F, B + E, A + D |

NOTE
 YOUR TRACTOR IS EQUIPPED WITH A SPECIAL ALTERNATOR SYSTEM. THE LIGHTS ARE NOT CONNECTED TO THE BATTERY, BUT HAVE THEIR OWN ELECTRICAL SOURCE. BECAUSE OF THIS, THE BRIGHTNESS OF THE LIGHTS WILL CHANGE WITH ENGINE SPEED. AT IDLE THE LIGHTS WILL DIM. AS THE ENGINE IS SPEEDED UP, THE LIGHTS WILL BECOME THEIR BRIGHTEST.



RELAY



REPAIR PARTS

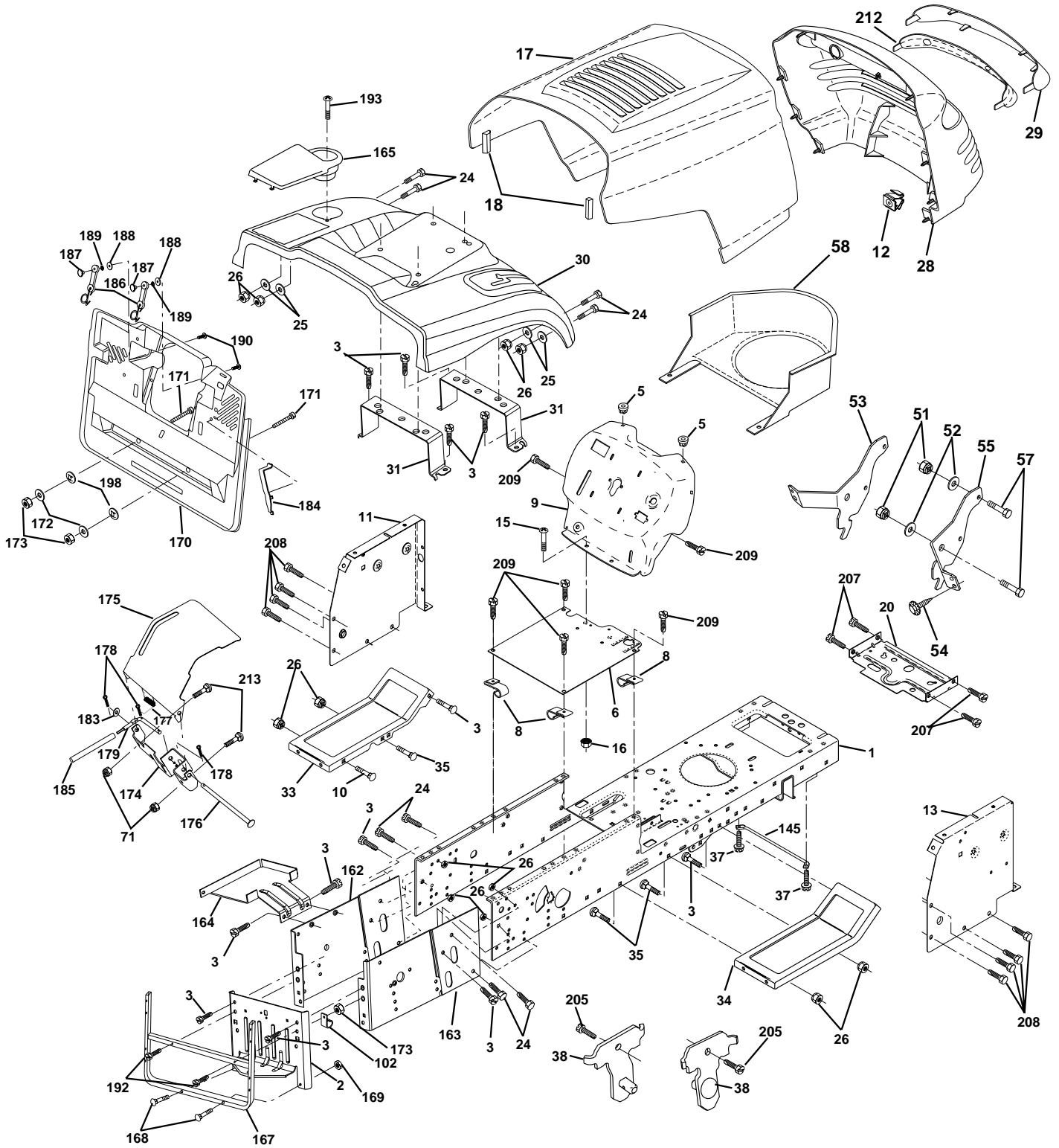
TRACTOR- -MODEL NO. MI145HCRDC, PRODUCT 954 12 00-38 ELECTRICAL

| KEY NO. | PART NO. | DESCRIPTION |
|---------|------------------|-----------------------------------|
| 1 | 532144925 | Battery |
| 2 | 874760412 | Bolt Hex Hd 1/4-20 Unc X 3/4 |
| 16 | 532153664 | Switch Interlock Push-In |
| 21 | 532166181 | Harness Asm Light W/4152J |
| 22 | 532004152 | Bulb Light #1156 |
| 24 | 532124780 | Cable Starter 6Ga 11" Red |
| 25 | 532165987 | Cable Battery Crd 56" Red |
| 26 | 532175158 | Fuse 20 Amp |
| 27 | 873510400 | Nut Keps Hex 1/4-20 Unc |
| 28 | 532127725 | Cable Ground 6Ga 18" Black |
| 29 | 532160784 | Switch Plunger Normal Op Olive |
| 30 | 532175566 | Switch Ignition |
| 33 | 532140401 | Key Ign Molded Indak |
| 40 | 532170164 | Harness Ign |
| 41 | 871110408 | Bolt Flk Fin Hex 1/4-20 Unc X 1/2 |
| 42 | 532131563 | Cover Terminal Red |
| 43 | 532178861 | Solenoid |
| 48 | 532140844 | Adapter Ammeter Rectangular |
| 52 | 532141940 | Protection Wire Loop |
| 58 | 532169419 | Buzzer Crd |
| 59 | 532166299 | Switch FBI CRD |
| 65 | 817211008 | Screw Slftp #10-16 x 1/2 Ty-Ab |
| 66 | 817490608 | Screw Thdrol 3/8-16 x 1/2 Ty-Tt |
| 81 | 532109748 | Relay Asm |

NOTE: All component dimensions given in U.S. inches.
1 inch = 25.4 mm.

REPAIR PARTS

TRACTOR- -MODEL NO. MI145HCRDC, PRODUCT 954 12 00-38 CHASSIS AND ENCLOSURES



REPAIR PARTS

TRACTOR- -MODEL NO. MI145HCRDC, PRODUCT 954 12 00-38

CHASSIS AND ENCLOSURES

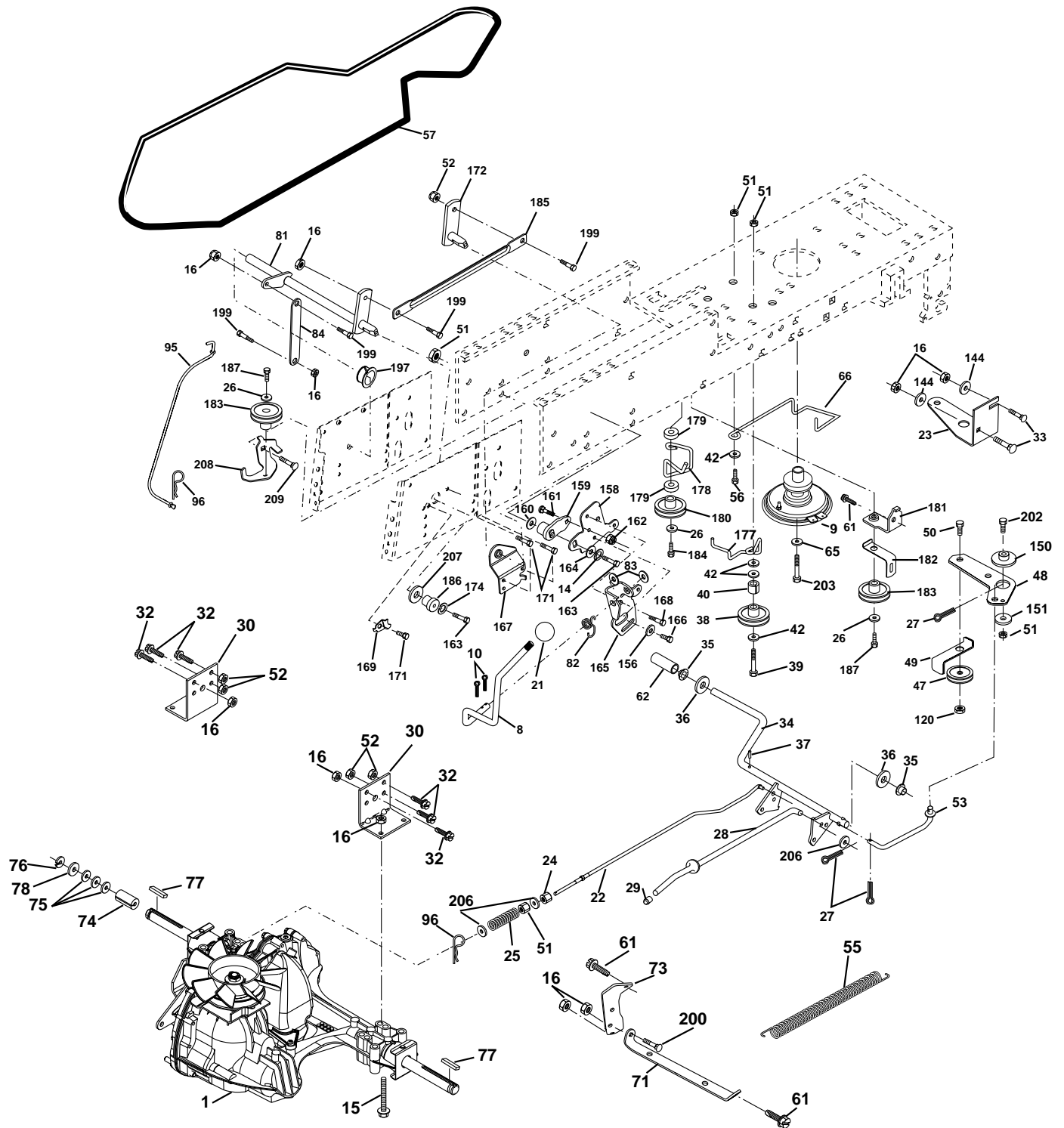
| KEY NO. | PART NO. | DESCRIPTION | KEY NO. | PART NO. | DESCRIPTION |
|---------|------------------|--|---------|------------------|-----------------------------------|
| 1 | 532169831 | Chassis | 145 | 532156524 | Rod Pivot Chassis/Hood |
| 2 | 532165606 | Drawbar | 162 | 532170256 | Bracket Exten Chassis Lh CRD |
| 3 | 817060612 | Screw 3/8-16 x .75 | 163 | 532175770 | Bracket Exten Chassis Rh CRD |
| 5 | 532155272 | Bumper Hood/Dash | 164 | 532165605 | Support Battery CRD |
| 6 | 532155923 | Saddle | 165 | 532168407 | Cover Battery CRD Lt |
| 8 | 532126471 | Clip Insulator 13/32 Mtg. Hole | 167 | 532165779 | Support Asm. Backplate WLDMNT |
| 9 | 532172243 | Dash | 168 | 872050412 | Bolt, RDHD SHT NK 1/4-20 x 1-1/2 |
| 10 | 872140608 | Bolt, Carriage 3/8-16 x 3/4 | 169 | 532123976 | Nut, Lock 1/4 LGE FLG Gr. 5 Zinc |
| 11 | 532155927 | Panel, Dash, L.H. | 170 | 532175264 | Backplate |
| 12 | 532145660 | Clip Tinnerman Grille P/L | 171 | 872140620 | Bolt Rdhd Sqkn 3/8-16 x 2-1/2 |
| 13 | 532173025 | Panel, Asm. Dash R.H. | 172 | 819132016 | Washer 13/32 x 1-1/4 x 16 Ga. |
| 15 | 874180512 | Screw, Machine, Truss Head 5/16-18 UNC x 3/4 | 173 | 873510600 | Nut, Keps Hex 3/8-16 UNC |
| 16 | 873510500 | Nut | 174 | 532165939 | Bracket Switch FBI CRD |
| 17 | 532160382 | Hood Assembly | 175 | 532166212 | Guard Door Rear CRD |
| 18 | 532126938 | Bumper Hood | 176 | 532128600 | Pin Hinge Pivot |
| 20 | 532156437 | Plate Mtg. Battery/Fuel Tank | 177 | 532132796 | Spring Bagger Top LH Black |
| 24 | 874780616 | Bolt | 178 | 876020312 | Pin Cotter 3/32 x 3/4 Cad Zinc |
| 25 | 819131312 | Washer 13/32 x 13/16 x 12 Gauge | 179 | 532165942 | Rod Pivot FBI CRD |
| 26 | 873800600 | Nut | 183 | 819131316 | Washer 13/32 x 13/16 x 16 Ga. |
| 28 | 532143499 | Grille PL | 184 | 532174662 | Bracket Actuator Bagger CRD |
| 29 | 532168154 | Lens, Grille | 185 | 532165940 | Tube Lever Switch FBI CRD |
| 30 | 532176017 | Fender | 186 | 532160793 | Latch Asm Multch Bagger |
| 31 | 532165156 | Bracket, Fender Support | 187 | 532125004 | Nut Weld .327/.304 #10-24 |
| 33 | 532147203 | Footrest, L.H. | 188 | 819061216 | Washer #10 |
| 34 | 532147202 | Footrest, R.H. | 189 | 810071000 | Washer Lock #10 |
| 35 | 872110606 | Bolt | 190 | 871081010 | Screw Pan Hd Phil 10-24 x 5/8 |
| 37 | 817490508 | Screw Thdrol 5/16-18 x 1/2 TYT | 192 | 817060624 | Screw Thdrol 3/8-16 x 1-1/2 |
| 38 | 532175709 | Bracket Asm Pivot Mower Rear | 193 | 817070412 | Screw Truss 1/4-20 x 3/4 Tap/R |
| 51 | 873800400 | Nut Lock w/Insert 1/4-20 UNC | 198 | 532168937 | Nut Push |
| 52 | 819091416 | Washer 9/32 x 7/8 x 16 Ga. | 205 | 817490608 | Screw Thdrol 3/8-16 x 1/2 |
| 53 | 532144697 | Bracket Grille Lh | 207 | 817670508 | Screw Thdrol 5/16-18 x 1/2 |
| 54 | 532161464 | Screw Hex Wshd 8-18 x 7/8 | 208 | 817670608 | Screw Thdrol 3/8-16 x 1/2 |
| 55 | 532144696 | Bracket Grille Rh | 209 | 817000612 | Screw Hex Wsh Thdrol 3/8-16 x 3/4 |
| 57 | 874780412 | Bolt, Fin Hex 1/4-20 UNC x .75 | 212 | 532156229 | Insert Lens Reflect |
| 58 | 532150127 | Duct Air Engine Pl/Lt | 213 | 872110406 | Bolt Carr. |
| 71 | 873680400 | Nut Crownlock 1/4-20 | -- | 532005479 | Plug, Button |
| 102 | 532124996 | Clip Fuel Line 13/32 Mtg Hole | | | |

NOTE: All component dimensions given in U.S. inches.
1 inch = 25.4 mm.

REPAIR PARTS

TRACTOR- -MODEL NO. MI145HCRDC, PRODUCT 954 12 00-38

DRIVE



REPAIR PARTS

TRACTOR- -MODEL NO. MI145HCRDC, PRODUCT 954 12 00-38

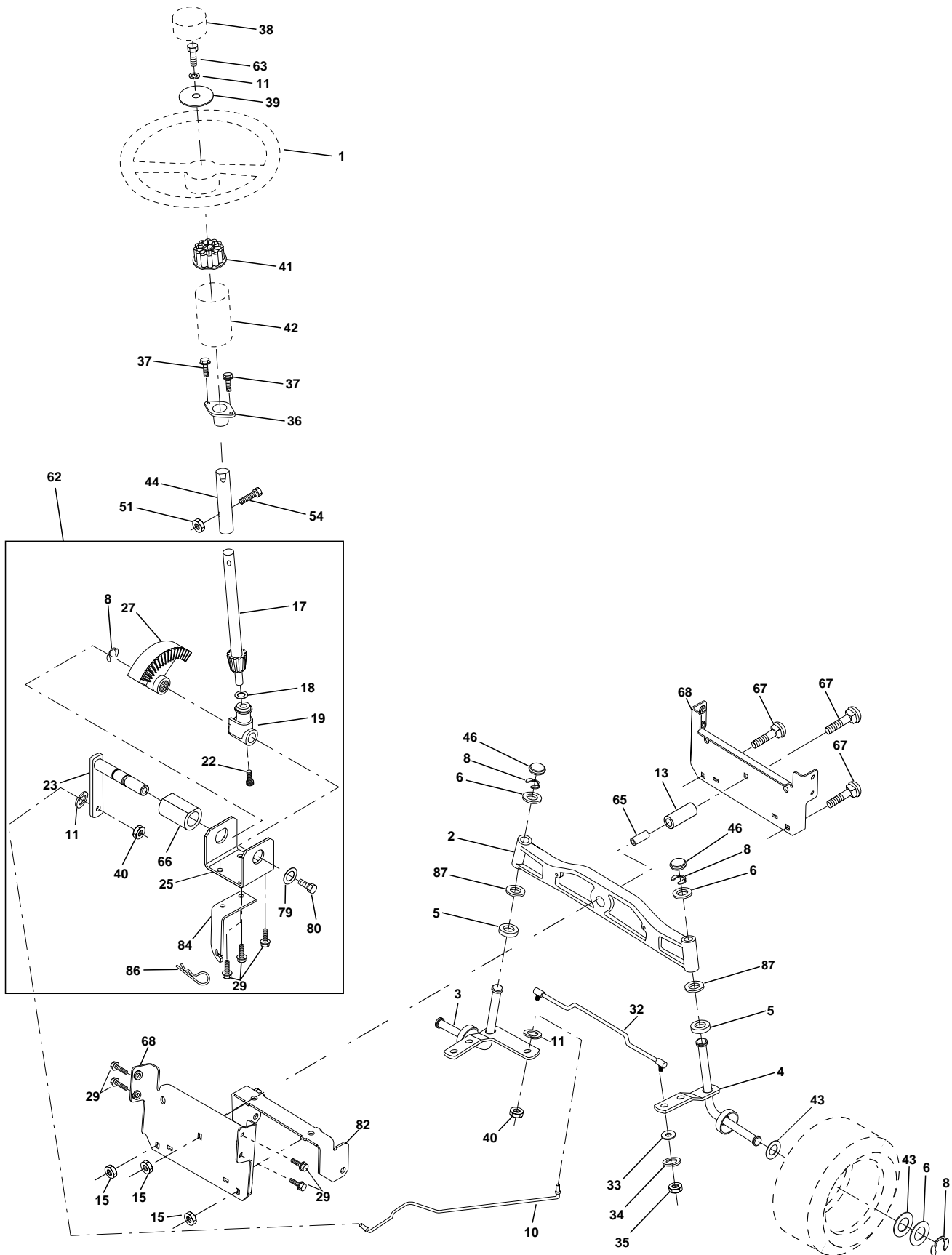
DRIVE

| KEY NO. | PART NO. | DESCRIPTION | KEY NO. | PART NO. | DESCRIPTION |
|---------|-----------|---|---------|-----------|-------------------------------------|
| 1 | ----- | Transaxle (Order part from transaxle manufacturer) | 78 | 532121748 | Washer 25/32 x 1-5/8 x 16 Gauge |
| | | Hydro Gear Model 321-0510 | 81 | 532170006 | Shaft Asm. Cross |
| 8 | 532165619 | Rod Shift Fender Adjust | 82 | 532123782 | Spring Torsion |
| 9 | 532170163 | Clutch Asm Noram | 83 | 819171216 | Washer 17/32 x 3/4 x 16 Ga. |
| 10 | 876020416 | Pin Cotter 1/8 x 1 CAD | 84 | 532170007 | Link Transaxle |
| 14 | 810040400 | Washer Lock Hvy Helical | 95 | 532170015 | Rod Bypass CRD |
| 15 | 874490544 | Bolt Hex 5/16-18 Gr. 5 | 96 | 532124788 | Retainer Spring 1" Zinc/Cad |
| 16 | 873800500 | Nut Lock Hex W/Ins 5/16-18 Unc P | 120 | 873900600 | Nut Lock Flg 3/8-16unc |
| 21 | 532106933 | Knob, Round 1/2-13 | 144 | 819111016 | Washer 11/32 x 5/8 x 16 Ga. |
| 22 | 532170137 | Rod, Brake Hydro | 150 | 532165850 | Bushing Bellcrank |
| 23 | 532170017 | Bracket Clutch Noram | 151 | 819133210 | Washer 13/32 x 2 x 10 Ga. |
| 24 | 873350600 | Nut Hex Jam 3/8-16 | 156 | 532166002 | Washer Srrted 5/16ID x 1.125 |
| 25 | 532106888 | Spring, Brake Rod | 158 | 532165589 | Bracket Shift Mount |
| 26 | 819131316 | Washer 13/32 x 13/16 x 16 Ga. | 159 | 532165494 | Hub Tapered Flange Shift Lt |
| 27 | 876020412 | Pin Cotter 1/8 x 3/4 CAD. | 160 | 819292016 | Washer 29/32 x 1-1/4 x 16 Ga |
| 28 | 532145204 | Rod, Parking Brake | 161 | 872140406 | Bolt Rdhd Sqnk 1/4-20 x 3/4 Gr. 5 |
| 29 | 532071673 | Cap, Parking Brake | 162 | 873680400 | Nut Crownlock 1/4-20 Unc |
| 30 | 532169592 | Bracket, Transaxle | 163 | 874780416 | Bolt Hex Fin 1/4-20 Unc x 1 Gr 5 |
| 32 | 874760512 | Bolt Hex Hd 5/16-18 Unc x 3/4 | 164 | 819091010 | Washer 5/8 x .281 x 10 Ga |
| 33 | 872140506 | Bolt Rdhd Sqnk 5/16-18 unc x 3/4 | 165 | 532165623 | Bracket Pivot Lever |
| 34 | 532165496 | Bolt, Foot Pedal | 166 | 532166880 | Screw 5/16-18 x 5/8 |
| 35 | 532120183 | Bearing, Nylon | 167 | 532165588 | Bracket Support Shift CRD |
| 36 | 819211616 | Washer 21/32 x 1 x 16 Ga | 168 | 532165492 | Bolt Shoulder 5/16-18 x .561 |
| 37 | 532124963 | Pin, Roll | 169 | 532165580 | Plate Fastening Cross Shf. Stlt/CRD |
| 38 | 532165936 | Pulley, Flat | 171 | 817490608 | Screw Thdrol 3/8-16 x 1/2 |
| 39 | 874760644 | Bolt Fin Hex 3/8-16 x 2 3/4 | 172 | 532170271 | Shaft Asm Shifter Frt CRD |
| 40 | 532124965 | Spacer, Split | 174 | 810090400 | Washer Lock 1/4 |
| 42 | 819131312 | Washer 13/32 x 13/16 x 12 Gauge | 177 | 532165932 | Keeper Flat Idler |
| 47 | 532127783 | Pulley, Idler, V-Groove | 178 | 532165933 | Keeper Belt Idler |
| 48 | 532154407 | Bellcrank Assembly | 179 | 532120958 | Washer Sintered |
| 49 | 532123205 | Retainer, Belt | 180 | 532165630 | Pulley Flat Idler |
| 50 | 874760624 | Bolt Hex Hd 3/8-16 x 1 1/2 | 181 | 532165797 | Bracket Idler Ground Drive CRD |
| 51 | 873680600 | Nut Crownlock 3/8-16 UNC | 182 | 532165634 | Keeper Belt 2.5"OD V-Idler CRD |
| 52 | 873680500 | Nut Crownlock 5/16-18 UNC | 183 | 532165626 | Pulley V-Idler 2.50"OD CRD |
| 53 | 532105710 | Link, Clutch | 184 | 817490644 | Scr Hexwsh Thdrol 3/8-16 x 2-3/4 |
| 55 | 532105709 | Spring, Return, Clutch | 185 | 532170008 | Link shift CRD Hydro |
| 56 | 874760620 | Bolt Fin Hex 3/8-16 UNC x 1-1/4 | 186 | 532165614 | Hub Tapered Round CRD |
| 57 | 532170140 | V-Belt, Ground Drive | 187 | 817060620 | Screw Thdrol 3/8-16 x 1-1/4 |
| 61 | 817060612 | Screw 3/8-16 x 3/4 | 197 | 532169613 | Nyliner Snap-In 5/8" ID |
| 62 | 532124872 | Cover, Pedal | 199 | 532169612 | Bolt Shoulder 5/16-18unc |
| 65 | 810040700 | Washer | 200 | 872140508 | Bolt RDHD SQNK 5/16-18unc x 1 |
| 66 | 532154778 | Keeper Belt Engine | 202 | 872110612 | Bolt Carr Sh 3/8-16 x 1-1/2 Gr. 5 |
| 71 | 532169183 | Strap Torque Lh Hydro | 203 | 871170780 | Bolt, Hex 7/16-20 x 5 |
| 73 | 532169182 | Strap Torque Rh Hydro | 206 | 819131416 | Washer 13/32 x 7/8 x 16 |
| 74 | 532137057 | Spacer, Split | 207 | 532169845 | Washer Nylon Rear |
| 75 | 532121749 | Washer 25/32 x 1-1/4 x 16 Gauge | 208 | 532169844 | Bracket Idler Rear LH CRD |
| 76 | 812000001 | E-Ring | 209 | 872110606 | Bolt Rdhd Sht Sqnk 3/8-16 x 3/4 |
| 77 | 532123583 | Key, Square | | | |

NOTE: All component dimensions given in U.S. inches
1 inch = 25.4 mm

REPAIR PARTS

TRACTOR- -MODEL NO. MI145HCRDC, PRODUCT 954 12 00-38
STEERING ASSEMBLY



REPAIR PARTS

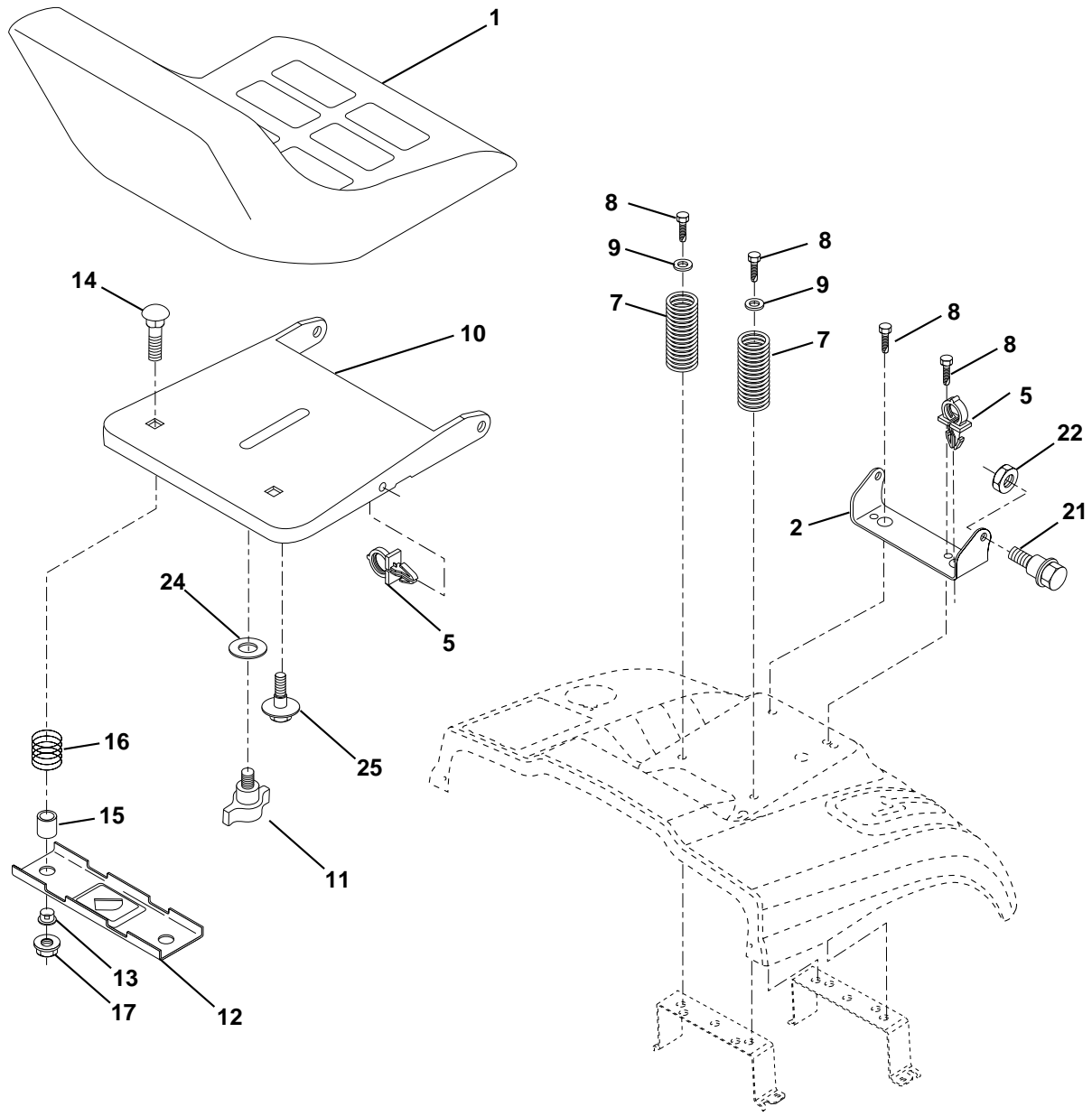
TRACTOR- -MODEL NO. MI145HCRDC, PRODUCT 954 12 00-38 STEERING ASSEMBLY

| KEY NO. | PART NO. | DESCRIPTION |
|---------|-----------|------------------------------------|
| 1 | 532139768 | Steering Wheel |
| 2 | 532172393 | Cast Iron Axle Assembly |
| 3 | 532169840 | Spindle Assembly, L.H. |
| 4 | 532169839 | Spindle Assembly, R.H. |
| 5 | 532124931 | Bearing, Race, Thrust, Hardened |
| 6 | 532121748 | Washer 25/32 x 1-5/8 x 16 Gauge |
| 8 | 812000029 | Ring, Klip |
| 10 | 532169832 | Link, Drag |
| 11 | 810040600 | Washer, Lock |
| 13 | 532136518 | Spacer Brg Axle Front |
| 15 | 532145212 | Nut, Hexflange Lock |
| 17 | 532156546 | Shaft Assembly, Steering |
| 18 | 532057079 | Washer, Thrust .515 x .750 x .033 |
| 19 | 532160395 | Support, Shaft |
| 22 | 532165857 | Screw Hex Wshhd Torx |
| 23 | 532165851 | Pittman Shaft Assembly |
| 25 | 532154406 | Bracket, Steering |
| 27 | 532136874 | Gear, Sector |
| 29 | 817060612 | Screw, 3/8-16 x 3/4 |
| 32 | 532170162 | Rod, Tie |
| 33 | 819111216 | Washer 11/32 x 3/4 x 16 Ga |
| 34 | 810040500 | Washer Lock Hvy Hlcl Spr 5/16 |
| 35 | 873540500 | Crownlock Nut 5/16-24 |
| 36 | 532155099 | Bushing, Steering |
| 37 | 532152927 | Screw TT #10-32 x 5 x 3/8 Flange |
| 38 | 532140175 | Cap Wheel Steer |
| 39 | 819133812 | Washer 13/32 x 2-3/8 x 12 Gauge |
| 40 | 532124701 | Nut Lock Center 3/8-24 Unf |
| 41 | 532100711 | Adaptor, Steering Wheel |
| 42 | 532169633 | Boot, Steering Dash P/L Mtl |
| 43 | 532121749 | Washer 25/32 x 1-1/4 x 16 Gauge |
| 44 | 532153720 | Extension Steering Non-Adjust |
| 46 | 532121232 | Cap, Spindle |
| 51 | 873800500 | Nut Lock Hx W/Ins 5/16-18 UNC |
| 54 | 874780520 | Bolt Fin Hex 5/16-18 UNC x 1-1/4 |
| 62 | 532167902 | Kit, Steering Assembly, Service |
| 63 | 874780616 | Bolt Fin Hex 3/8-16 unc. x 1 Gr. 5 |
| 65 | 532160367 | Spacer Brace Axle |
| 66 | 532154404 | Bearing Arm Pittman |
| 67 | 872140618 | Bolt Rdhd Sq 3/8-16 UNC x 2-1/4 |
| 68 | 532169827 | Brace Axle |
| 79 | 819132012 | Washer 13/32 x 1-1/4 x 12 Ga |
| 80 | 874950612 | Bolt Hex Nylon 3/8-16 x 3/4 |
| 82 | 532169835 | Bracket Susp Chassis Front |
| 84 | 532170016 | Bracket Cable Clutch Chassis |
| 86 | 532165898 | Retainer Spring |
| 87 | 532173966 | Washer Flat .781 x 1-1/2 x .14 |

NOTE: All component dimensions given in U.S. inches.
1 inch = 25.4 mm.

REPAIR PARTS

TRACTOR- -MODEL NO. MI145HCRDC, PRODUCT 954 12 00-38 SEAT ASSEMBLY



| KEY NO. | PART NO. | DESCRIPTION |
|---------|-----------|--------------------------------|
| 1 | 532140118 | Seat |
| 2 | 532140551 | Bracket Pnt Pivot Seat (blk) |
| 5 | 532145006 | Clip Push In Hinged |
| 7 | 532124181 | Spring Seat Cprsn 2 250 Blk Zi |
| 8 | 817000616 | Screw 3/8-16 X 1-1/2 |
| 9 | 819131614 | Washer 13/32 X 1 X 14 Ga |
| 10 | 532174894 | Pan Pnt Seat (blk) |
| 11 | 532166369 | Knob Seat Adj. Wingnut |
| 12 | 532121246 | Bracket Pnt Mounting Switch |
| 13 | 532121248 | Bushing Snap Blk Nyl 50 Id |

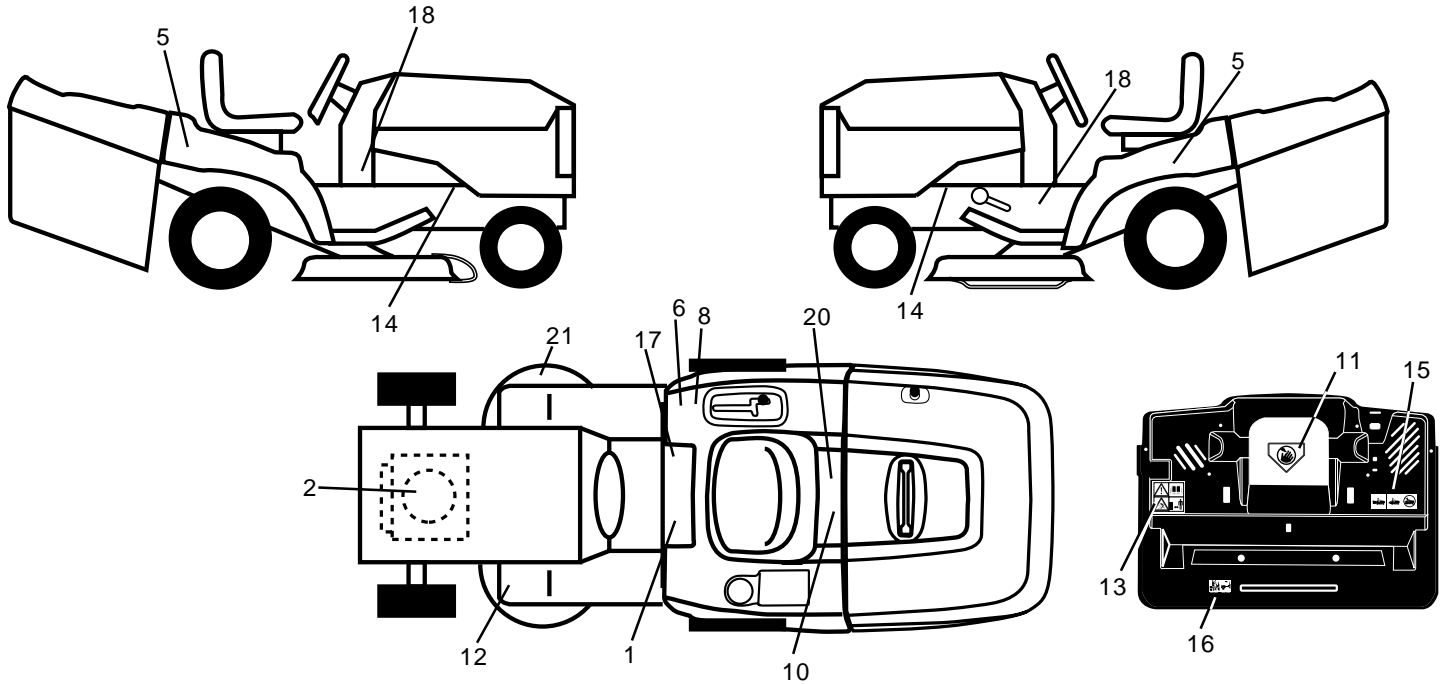
| KEY NO. | PART NO. | DESCRIPTION |
|---------|-----------|--------------------------------|
| 14 | 872050412 | Bolt Rdhd Sht Nk 1/4-20x1-1/2 |
| 15 | 532121249 | Spacer Split 28 X 88 Zinc |
| 16 | 532123740 | Spring Cprsn |
| 17 | 532123976 | Nut Lock 1/4 Lge Flg Gr 5 Zinc |
| 21 | 532171852 | Bolt Shoulder 5/16-18 Unc-2A |
| 22 | 873800500 | Nut Hex Lock w/Ins 5/16-18 |
| 24 | 819171912 | Washer 17/32 X 1-3/16 X 12 Ga. |
| 25 | 532127018 | Bolt Shoulder 5/16-18 X 62 |

NOTE: All component dimensions given in U.S. inches.
1 inch = 25.4 mm

REPAIR PARTS

TRACTOR- -MODEL NO. MI145HCRDC, PRODUCT 954 12 00-38

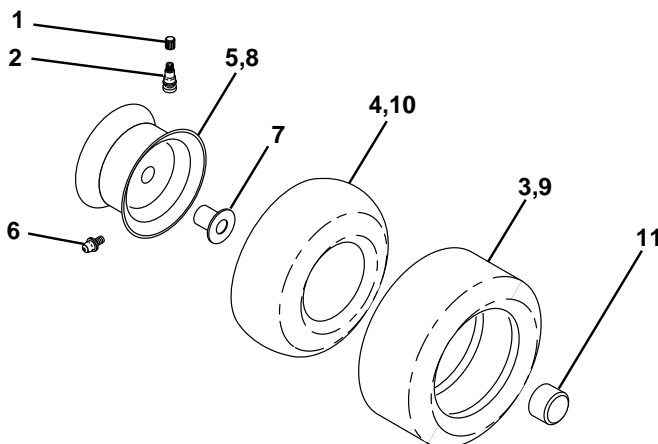
DECALS



| KEY NO. | PART NO. | DESCRIPTION |
|---------|-----------|-------------------------------|
| 1 | 532145498 | Decal Read Owner's Manual Sym |
| 2 | 532176396 | Decal Hp Engine |
| 5 | 532140950 | Decal Fender Automatic |
| 6 | 532126187 | Decal 100 DBA |
| 8 | 532145437 | Decal Europe Stand Ce |
| 10 | 532145005 | Decal Bat Dan/Poi P/L Sym Wpn |
| 11 | 532145494 | Decal Mower Cut Finger Symbol |
| 12 | 532159737 | Decal Brake/Clutch Symbol Lt |
| 13 | 532166959 | Decal Warn Back Plate CRD |
| 14 | 532159736 | Decal Chassis Hot Muffler |

| KEY NO. | PART NO. | DESCRIPTION |
|---------|------------------|-----------------------------|
| 15 | 532166961 | Decal Oper Bag Presence CRD |
| 16 | 532162598 | Decal Drawbar Load Limit |
| 17 | 532140837 | Decal Saddle Brake Parking |
| 18 | 532137588 | Decal Chas Turbo |
| 20 | 532166960 | Decal Bypass Fender CRD |
| 21 | 532166286 | Decal Hex Belt Sch 92 CRD |
| — | 532138311 | Decal Lift Handle |
| — | 532171237 | Pad Footrest |
| — | 532176532 | Manual Operator's (Euro) |
| — | 532177803 | Manual Parts |

WHEELS & TIRES

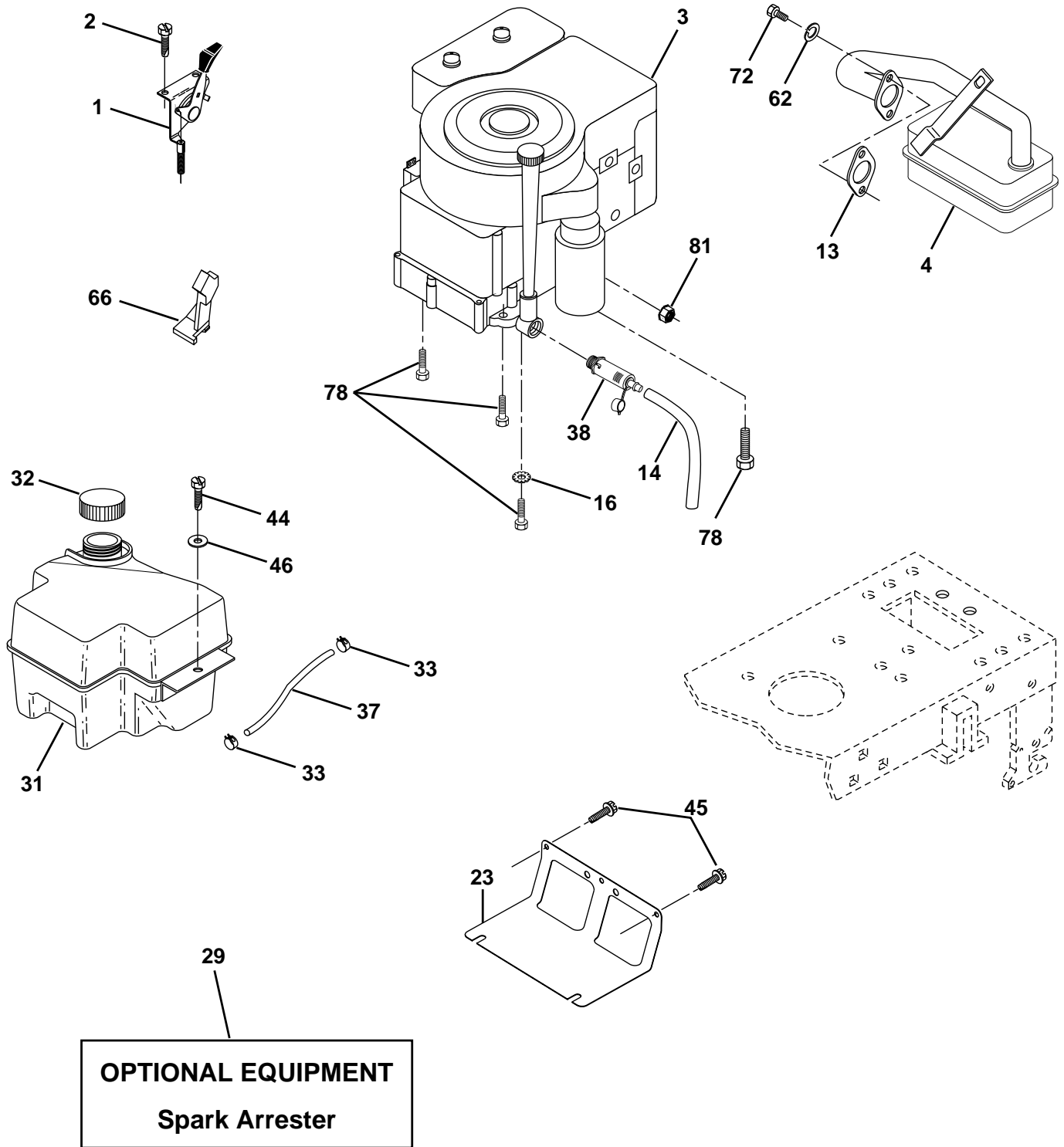


| KEY NO. | PART NO. | DESCRIPTION |
|---------|-----------|--------------------------------|
| 1 | 532059192 | Cap Value Tire |
| 2 | 532065139 | Stem Value |
| 3 | 532106222 | Tire F Ts 15 X 6 0 - 6 Service |
| 4 | 532059904 | Tube Inner Front #35060 |
| 5 | 532125121 | Rim Asm 6" front Service |
| 6 | 532124957 | Fitting Grease |
| 7 | 532124959 | Bearing Flange |
| 8 | 532125122 | Rim Asm 8" rear Service |
| 9 | 532138468 | Tire R Ts 20 x 8-8 Service |
| 10 | 532124926 | Tube Rear 9 5 X 8 Service |
| 11 | 532175039 | Cap Axle Blk 1 50 X 1 00 |
| -- | 144334 | Sealant, Tire (10 oz. tube) |

NOTE: All component dimensions given in U.S. inches
1 inch = 25.4 mm

REPAIR PARTS

TRACTOR- -MODEL NO. MI145HCRDC, PRODUCT 954 12 00-38
ENGINE



REPAIR PARTS

TRACTOR- -MODEL NO. MI145HCRDC, PRODUCT 954 12 00-38

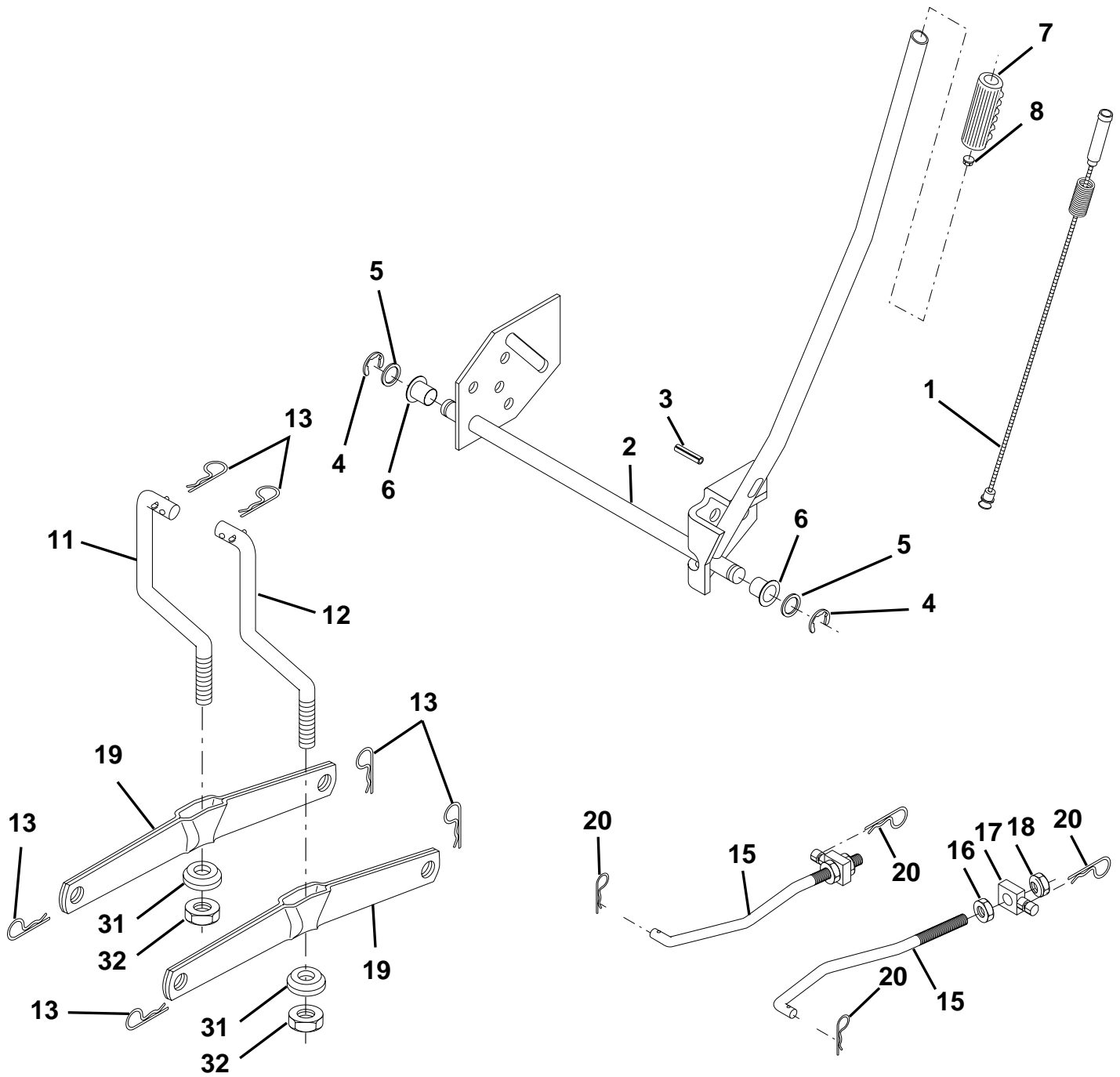
ENGINE

| KEY NO. | PART NO. | DESCRIPTION |
|---------|-----------|---|
| 1 | 532170865 | Control Throt /Ch Lh |
| 2 | 817720410 | Screw Hex Thd Cut 1/4-20x5/8 T |
| 3 | ----- | Engine B&S Model 287707 (Order Parts from Engine Manufacturer) |
| 4 | 532137352 | Muffler Exhaust B&S Lt |
| 13 | 532165291 | Gasket 1 313 Id Tin Plated |
| 14 | 532148456 | Tube Drain Oil Easy |
| 16 | 811050600 | Washer Lock Ext Tooth 3/8 |
| 23 | 532169837 | Shield Browning/Debris Guard |
| 29 | 532137180 | Arrestor Spark |
| 31 | 532174642 | Tank Fuel 2.00 Fr |
| 32 | 532140527 | Cap Asm Fule Top Vent N/Lany |
| 33 | 532123487 | Clamp Hose Blk |
| 37 | 532137040 | Line Fuel 20" |
| 38 | 532148316 | Plug Drain Oil Easy |
| 44 | 817670412 | Screw Hexwsh Thdrol 1/4-20 x 3/4 |
| 45 | 817000612 | Screw 3/8-16 x 3/4 |
| 46 | 819091416 | Washer 9/32 X 7/8 X 16ga |
| 62 | 810040500 | Washer Lock Hvy Hlcl Spr 5/16 |
| 66 | 532127951 | Stop Throttle 3000 Rpm |
| 72 | 871070512 | Screw Hexhd Cap 5/16-18x3/4 |
| 78 | 817060620 | Screw 3/8-16x1-1/4 |
| 81 | 873510400 | Nut Keps 1/4-20 UNC |

NOTE: All component dimensions given in U.S. inches
1 inch = 25.4 mm

REPAIR PARTS

TRACTOR- -MODEL NO. MI145HCRDC, PRODUCT 954 12 00-38
MOWER LIFT



REPAIR PARTS

TRACTOR- -MODEL NO. MI145HCRDC, PRODUCT 954 12 00-38
MOWER LIFT

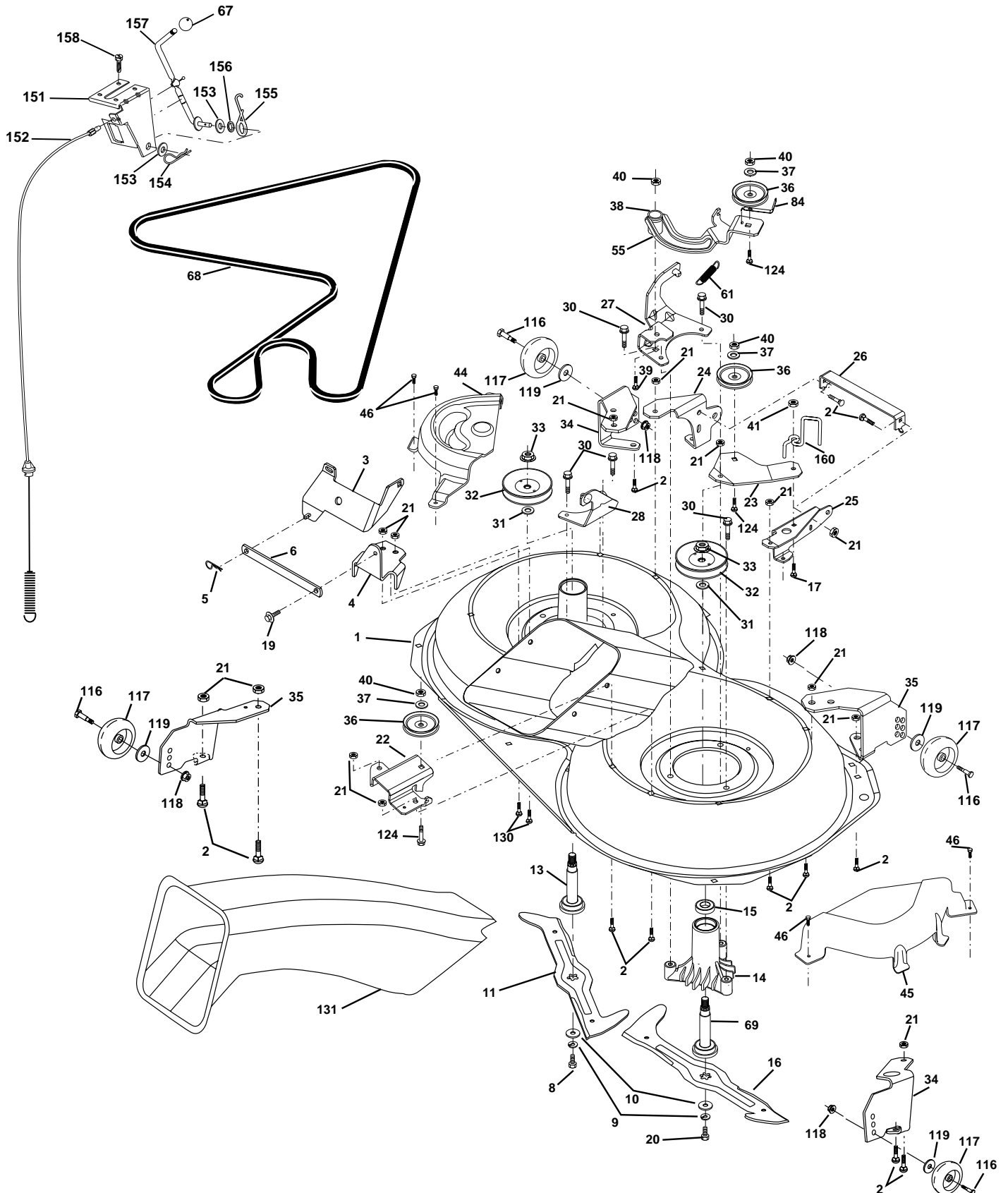
| KEY NO. | PART NO. | DESCRIPTION |
|---------|-----------|-----------------------------------|
| 1 | 532159460 | Washer Asm Inner Spring W/Plunger |
| 2 | 532159471 | Shaft Asm. Lift |
| 3 | 532105767 | Pin Groove |
| 4 | 812000002 | E Ring #5133-62 |
| 5 | 819211621 | Washer 21/32 x 1 x 21 Ga. |
| 6 | 532120183 | Bearing Nylon |
| 7 | 532109413 | Grip Handle Bicycle |
| 8 | 532124526 | Button Plunger Black |
| 11 | 532165829 | Link Asm Lift L.H. |
| 12 | 532165831 | Link Asm Lift R.H. |
| 13 | 532124670 | Retainer Spring |
| 15 | 532173288 | Link Front |
| 16 | 873350800 | Nut Jam Hex 1/2-13 Unc |
| 17 | 532130171 | Trunnion Blk Zinc |
| 18 | 873800800 | Nut Lock w/Wsh 1/2-13 Unc |
| 19 | 532139868 | Arm Suspension Mower |
| 20 | 532163552 | Retainer Spring |
| 31 | 532169865 | Bearing, Pvt. Lift |
| 32 | 873540600 | Nut Crownlock 3/8-24 |

NOTE: All component dimensions given in U.S. inches
1 inch = 25.4 mm

REPAIR PARTS

TRACTOR- -MODEL NO. MI145HCRDC, PRODUCT 954 12 00-38

MOWER



REPAIR PARTS

TRACTOR- -MODEL NO. MI145HCRDC, PRODUCT 954 12 00-38

MOWER

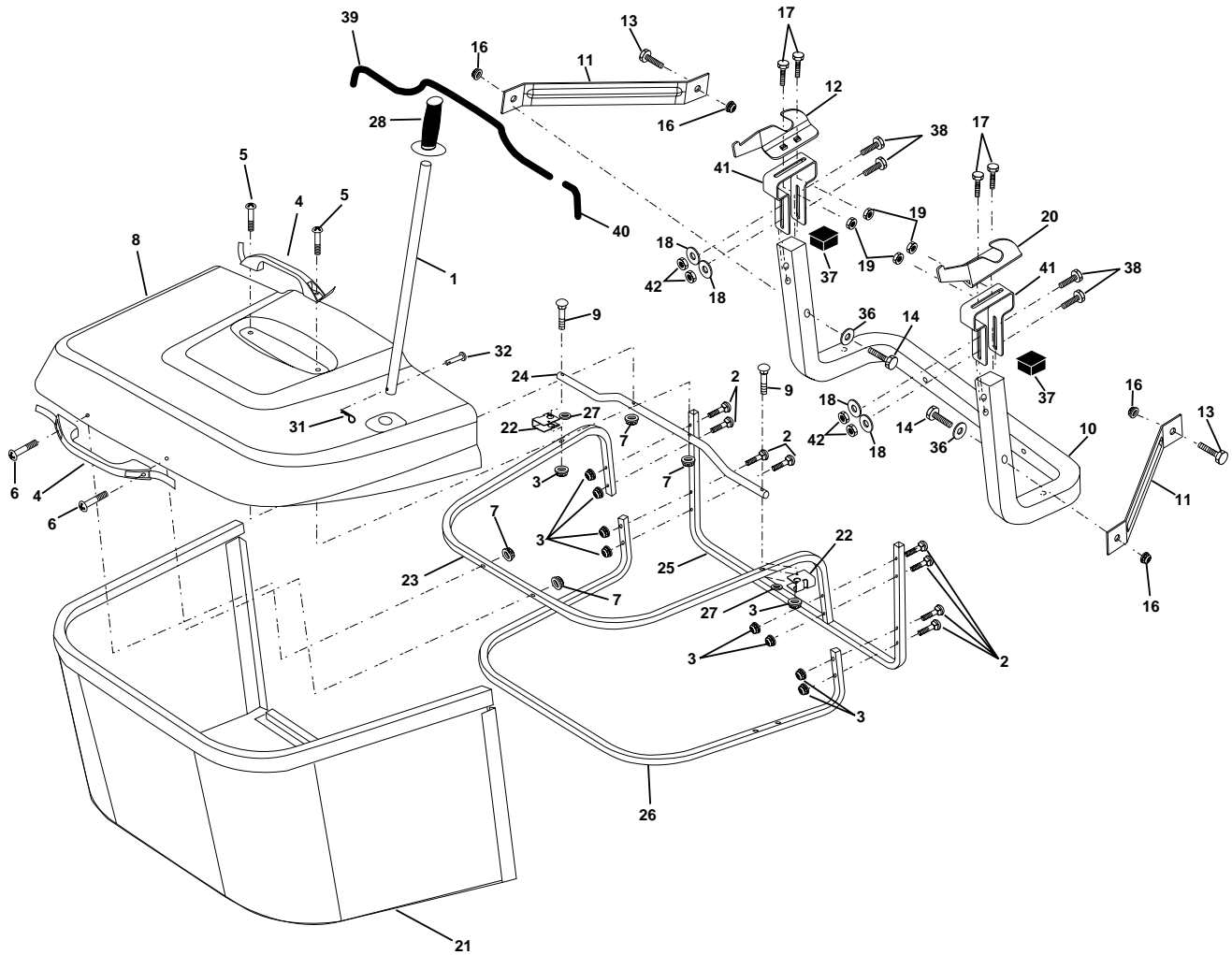
| KEY NO. | PART NO. | DESCRIPTION | KEY NO. | PART NO. | DESCRIPTION |
|---------|------------------|-----------------------------------|---------|-----------|------------------------------------|
| 1 | 532169160 | Housing Asm. Mower | 39 | 872110622 | Bolt Rdhd 3/8-16 Unc x 2-3/4 Gr. 5 |
| 2 | 872140506 | Bolt Rdhd Sqnk 5/16-18 Unc x 3/4 | 40 | 873680600 | Nut Crownlock 3/8-16 Unc |
| 3 | 532165569 | Bracket Asm. S-Bar Chass | 41 | 873900600 | Nut Lock Flg. 3/8-16 |
| 4 | 532169167 | Bracket Bar Sway Deck | 44 | 532169180 | Cover Mandrel Lh |
| 5 | 532124670 | Retainer Spring | 45 | 532169179 | Cover Mandrel Rh |
| 6 | 532165557 | Bar Sway | 46 | 532137729 | Screw Thd Roll 1/4-20 x 5/8 |
| 8 | 532850857 | Bolt 3/8-24 x 1.25 Gr8 Patched | 55 | 532169849 | Arm Idler 107 CRD |
| 9 | 810030600 | Washer Lock Hvy 3/8 Unplated | 61 | 532175159 | Spring Tension Belt |
| 10 | 532140296 | Washer Hard Blade Mower vented | 67 | 532106932 | Knob Rd 3/8-16 Plstc Thds Blk |
| 11 | 532175450 | Blade 3-1 Lh | 68 | 532169178 | Hex-Belt Mower |
| 13 | 532137645 | Shaft Asm. W/Lower Bearing | 69 | 532165482 | Shaft Asm W/Lwr Brg Rh Thd CRD |
| 14 | 532128774 | Housing Mandrel Vented (Machd) | 84 | 532156085 | Keeper Belt Idler |
| 15 | 532110485 | Bearing Ball Mandrel | 116 | 532137644 | Bolt Shoulder |
| 16 | 532175451 | Blade 3-1 Rh | 117 | 532133957 | Wheel Gage Donut Wide |
| 17 | 872140610 | Bolt Carr. 3/8-16 x 1-1/4 | 118 | 873930600 | Nut Centerlock 3/8-16 Unc |
| 19 | 532132827 | Bolt Shoulder 5/16-18 Thd Form | 119 | 819121414 | Washer 3/8 x 7/8 x 14 Ga. |
| 20 | 532165484 | Bolt 3/8-24 x 1.25 Gr8 Ptch Lhthd | 124 | 872110612 | Bolt Carr Sh 3/8-16 x 1-1/2 Gr5 |
| 21 | 873680500 | Nut Crown Lock 5/16-18 | 130 | 872110506 | Bolt Rdhdsqnk 5/16-18 Unc x 3/4 |
| 22 | 532169165 | Bracket Idler RR | 131 | 532165661 | Chute Bagger CRD 92cm |
| 23 | 532169166 | Bracket Idler RF | 151 | 532169670 | Bracket Clutch Cable |
| 24 | 532169170 | Bracket Suspension LF | 152 | 532176074 | Cable Clutch CRD Service |
| 25 | 532169171 | Bracket Suspension RF | 153 | 532169674 | Washer Flat 3/8" Type B |
| 26 | 532165237 | Brace Support Susp Frt CRD | 154 | 532169675 | Spring Retainer |
| 27 | 532169172 | Bracket Asm. Susp RR | 155 | 532169671 | Spring Retainer Lvr Cltch Cab |
| 28 | 532169168 | Bracket Asm. Susp LR | 156 | 532169672 | Spacer Clutch Cable |
| 30 | 532157722 | Screw Thd Rolling Washer Head | 157 | 532169669 | Rod Clutch Cable 3/8" |
| 31 | 532129963 | Washer Spacer Mower Vented | 158 | 817720410 | Screw Hex Thdcut 1/4-20 x 5/8 |
| 32 | 532175707 | Mandrel Pulleys | 160 | 532175160 | Guide Belt |
| 33 | 532137266 | Nut Flg Top Lock Cntr B 9/16 | - | 532130794 | Mandrel Asm Service |
| 34 | 532176291 | Bracket Gauge Wheel Lf | - | 532165579 | Mandrel Asm CRD Lh Threads SVC |
| 35 | 532176292 | Bracket Gauge Wheel Rf | - | 532175842 | Deck Mower Complete |
| 36 | 532146763 | Pulley Idler V-Groove Dim 4.25 | | | |
| 37 | 819131316 | Washer 11/32 x 13/16 x 16 Ga | | | |
| 38 | 532169851 | Spacer Hub Arm Idler 107 CRD | | | |

NOTE: All component dimensions given in U.S. inches
1 inch = 25.4 mm

REPAIR PARTS

TRACTOR- -MODEL NO. MI145HCRDC, PRODUCT 954 12 00-38

BAGGER



REPAIR PARTS

TRACTOR- -MODEL NO. MI145HCRDC, PRODUCT 954 12 00-38

BAGGER

| KEY NO. | PART NO. | DESCRIPTION |
|---------|-----------|-------------------------------------|
| 1 | 532170690 | Tube Handle Bagger CRD |
| 2 | 872140416 | Bolt Carriage 1/4-20 X 2.0 Gr.5 |
| 3 | 532123976 | Nut Lock 1/4 Lge Flg Gr. 5 Zinc |
| 4 | 532169916 | Handle Bagger w/Lvrs Gr. 5 Zinc |
| 5 | 874981024 | Screw Pan Head #10-24 X 1.50 Blk |
| 6 | 874981032 | Screw Pan Hd |
| 7 | 873401000 | Nut Wiz Lock Hex Serr/Hd #10-24 |
| 8 | 532168792 | Cover Bagger Plastic CRD |
| 9 | 872140418 | Bolt Carriage 1/4-20 x 2.25d x Gr.5 |
| 10 | 532169688 | Tube Support Bagger CRD |
| 11 | 532165719 | Bracket Support Upper Bag CRD |
| 12 | 532169685 | Bracket Horiz. Adj Bagger |
| 13 | 872110606 | Bolt Rdhd Sht Sqnk 3/8-16 X 3/4 |
| 14 | 874520640 | Bolt Hex 3/8-16 X 2-1/2 Gr. 5 |
| 16 | 873900600 | Nut Lock Flg 3/8-16 Unc |
| 17 | 872140506 | Bolt Rdhd Sht Sqnk 5/16-18Unc X 3/4 |
| 18 | 819111216 | Washer 11/32 x 3/4 x 16 |
| 19 | 873900500 | Nut Lock Hex Flange 5/16-18 |
| 20 | 532169684 | Bracket Horiz Adj Bagger |
| 21 | 532165780 | Bag Asm CRD |
| 22 | 532165781 | Bracket Side Bagger CRD |
| 23 | 532165782 | Tube Upper Bagger CRD |
| 24 | 532165783 | Tube Pivot Bagger CRD |
| 25 | 532165784 | Tube Front Bagger CRD |
| 26 | 532165785 | Tube Lower Bagger CRD |
| 27 | 532169692 | Bushing Snap Bagger CRD |
| 28 | 532170696 | Grip Handle Black |
| 31 | 532124788 | Retainer Spring 1" Zinc/Cad |
| 32 | 532126875 | Rivet Rd Hd Drilled 3/8 Dia |
| 36 | 819132016 | Washer 13/32 x 1-1/4 x 16 Ga. |
| 37 | 532175401 | Plug Support |
| 38 | 872010520 | Bolt 5/16-18 x 2-1/2 |
| 39 | 532169999 | Seal 26" (Long) |
| 40 | 532170000 | Seal 7" (Short) |
| 41 | 532169683 | Bracket Vert Adj Bagger CRD |
| 42 | 873800500 | Nut Lock Hex W/Ins 5/16-18 |

NOTE: All component dimensions given in U.S. inches
1 inch = 25.4 mm

SERVICE NOTES

SERVICE NOTES
