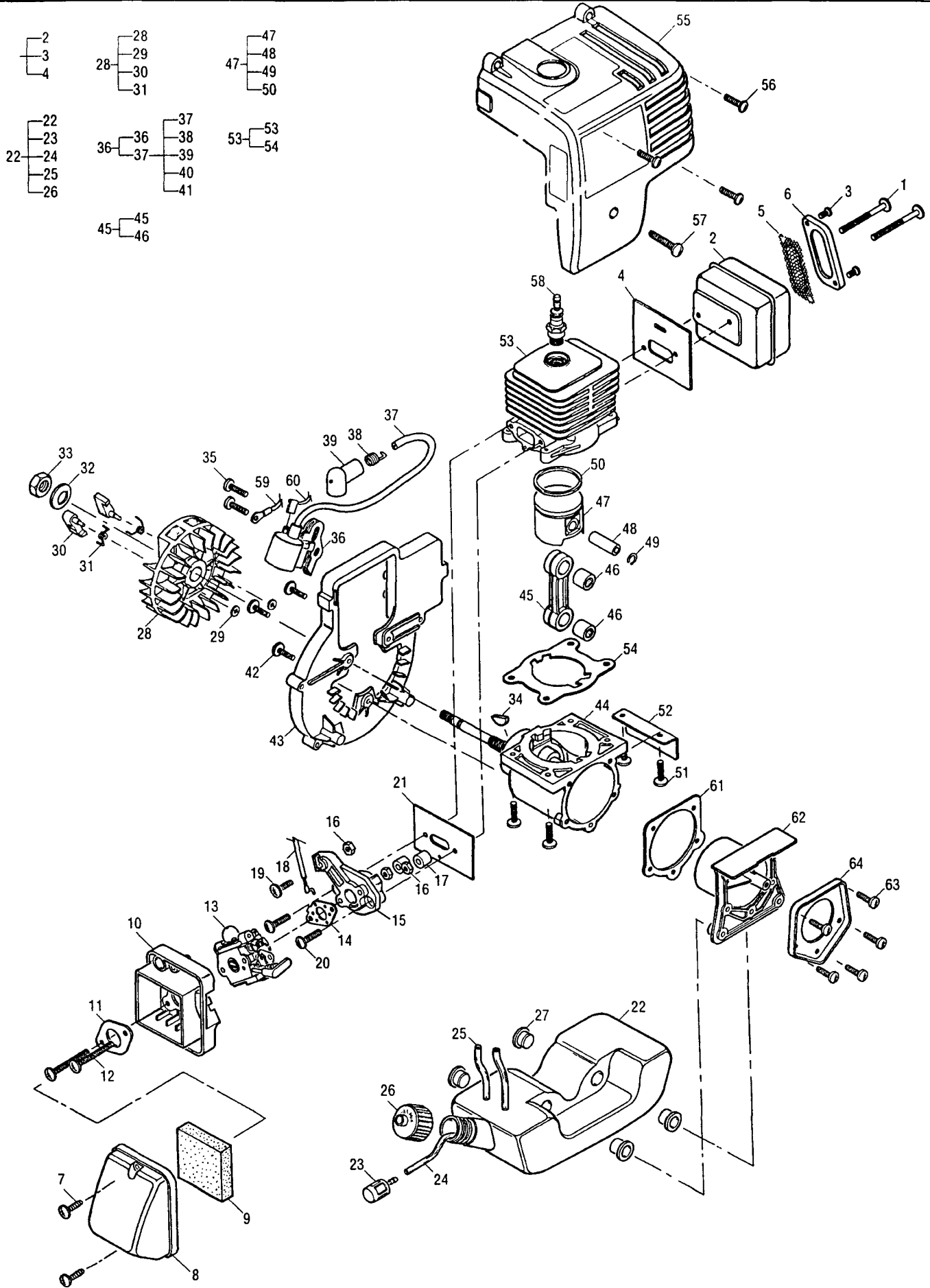


**FIGURE 1**

**POWERHEAD ASSEMBLY**



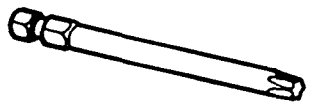
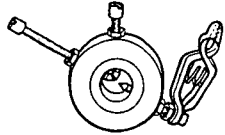

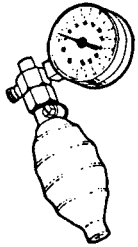

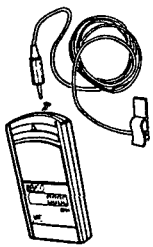

# POWERHEAD ASSEMBLY

# FIGURE 1

ITEM NO.	STK CODE	PART NUMBER	DESCRIPTION	UNITS PER ASY	ITEM NO.	STK CODE	PART NUMBER	DESCRIPTION	UNITS PER ASY
1	B	111159	Screw, 10-24x2.25 Taptite	2	36	A	302138	Ignition Asy	1
2	B	224707	Kit, Muffler	1	37	A	223884	. Kit, Spark Plug Wire	1
3	-	---	. Screw	2	38	A	102556	.. Connector, Spark	1
4	C	322420-01	. Plate, Muffler	1	39	A	95266	.. Boot, Spark Plug	1
5	B	322413	Screen, Spark Arrester	1	40	B	215533-01	① .. Grommet, H/T Lead, Split	1
6	C	322414-90	Cover, Spark Arrester	1	41	B	110995	① .. Grommet, S/Plug Wire	1
7	A	300294	Screw, 8-16 x .75 Tr Hd Plastite	2	42	B	111067	Screw, 10-24 x .63	3
8	A	322429-61	Cover, Air Box	1	43	A	322396	Shroud, Engine	1
9	A	224239	Filter, Air	1	44	C	300798	C'case/C'shaft Asy	1
10	B	322436-61	Box, Air Filter	1	-	---	. C'case Asy	1	
11	C	322425-90	Plate, Air Box	1	-	---	. C'shaft Asy	1	
12	A	218083	Screw, 10-24 x 2 Torx	2	-	---	. Bearing 6202	1	
13	-	FIGURE 4	Carburetor Assembly	1	-	---	. Bearing 6202RS	1	
14	A	218933	Gasket, Carburetor	1	-	---	. Seal	1	
15	C	322434	Manifold, Carburetor	1	45	A	301982	Connecting Rod Asy	1
16	A	218315	. Nut, 10-24	3	46	A	91117	. Bearing	2
17	A	322188	. Spacer, Rubber	2	47	A	300663	Kit, Piston, 32cc	1
18	B	322409	. Cable, Throttle	1	48	B	300482	. Piston Pin, C'shaft	1
19	A	111226	. Screw, 10-24 x .62 Tr Hd Torx	1	49	A	215876	. Ring, Retaining	1
20	A	111203	Screw, 10-24 x .875 Taptite	2	50	A	224217	. Ring, Piston	1
1	A	323912	Gasket, Manifold	1	51	A	111065	Screw, 10-24 x .688 Tri Rnd	4
22	A	224207	Fuel Tank Asy	1	52	A	322426-90	Shield, Muffler	1
23	A	216985	. Filter, Fuel	1	53	B	224706	Kit, Cylinder/Gasket, 32cc	1
24	A	225162	. Hose, Fuel	1	54	A	224022	. Gasket, Cylinder	1
25	A	225163	. Hose, Fuel Return	1	55	A	322432-61	Cover, Cylinder/Muffler	1
26	A	223508	. Kit, Fuel Cap w/Retainer	1	56	A	300294	Screw, 8-16 x .75 Tr Hd Plastite	3
27	A	322105	Isolator, Fuel Tank	4	57	B	218644	Screw, 10-14 x .75 Torx	1
28	B	301352-01	Flywheel Asy	1	58	A	92879	Spark Plug, RDJ8J	1
29	A	111086	. Retainer Ring	2	59	A	302057	Wire Asy, Ground	1
30	A	322297	. Pawl, Starter	2	60	A	302058	Wire Asy, Stop Switch	1
31	A	322835	. Spring, Starter Pawl	2	61	A	224023	Gasket, C'case	1
32	B	111205	Washer, Conical Spring	1	62	A	224024-01	Plug, C'case	1
33	B	111085	Nut	1	63	A	111065	Screw, 10-24 x .688 Tri Rnd	5
34	A	102164	Key, Flywheel	1	64	C	322437-90	Plate, C'case	1
35	A	111203	Screw, 10-24 x .875 Taptite	2					

① Not shown - Not used on this model

## SERVICE TOOLS

		
PN 111124 - T-27 Torx Dr 3.5 in..	PN 323330 Ignition Tester	
		
PN 222785 - T-25 Torx dr 3.5 in..	PN 215432-01 Pressure Test Tool	
		
PN 217720 - Torx Dr Set	PN 91424 Tachometer	
		
PN 323754 - Torx Dr Set of 6 Bit Sizes: Tx 10,15,20,25,27,30		

## LOCTITE KIT


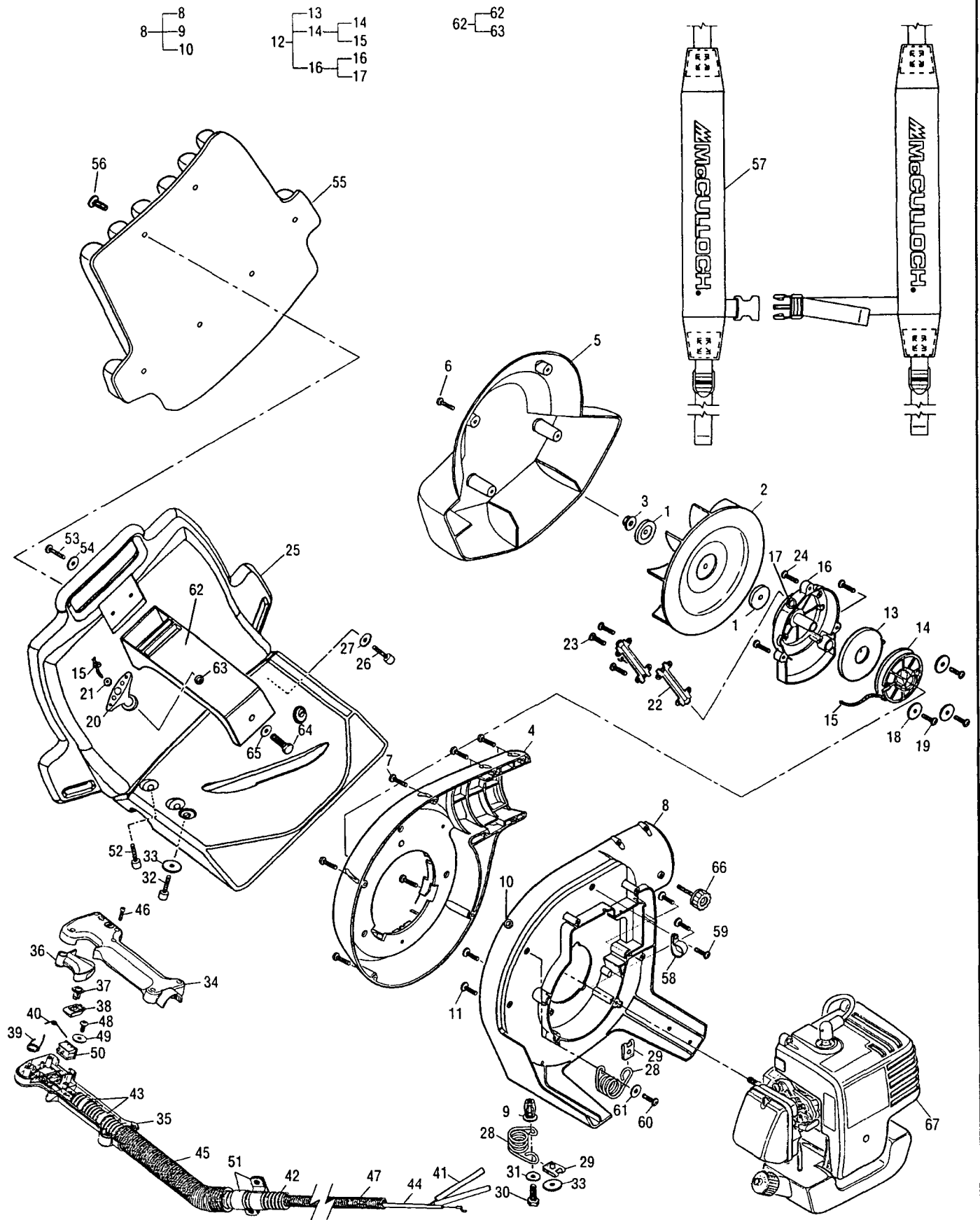
	
322235-02	Loctite Kit
322236	. Retaining Compound 620 (10 ml)
322237	. Thread Locker 242 (10 ml)
322238	. Gasket Eliminator 518 (50 ml)
322239-01	. Black Max 380 (3 ml)
323749	. Thread Locker 262 (10 ml)
323762	. Anti-Seize Lubricant 767 (30 ml)

FIGURE 2

GENERAL ASSEMBLY



# GENERAL ASSEMBLY

# FIGURE 2

ITEM NO.	STK CODE	PART NUMBER	DESCRIPTION	UNITS PER ASY	ITEM NO.	STK CODE	PART NUMBER	DESCRIPTION	UNITS PER ASY
1	B	218655	Disc, Drive	2	34	C	324204	Housing, Control RH	1
2	B	322431	Impellar, Blower	1	35	C	324205	Housing, Control LH	1
3	A	110961	Nut, Hx 5/16-24	1	36	B	324206	Trigger, Throttle	1
4	C	324834-60	Outer Housing	1	37	C	324207	Knob, Lock	1
5	C	324214	Cover, Air Inlet	1	38	C	324213	Pin, Lock	1
6	A	300294	Screw, 8-16 x .75 Tr Hd Plastite	7	39	C	111302	Spring, Trigger	1
7	A	300294	Screw, 8-16 x .75 Tr Hd Plastite	8	40	C	111303	Spring, Lock	1
8	C	302868	Inner Housing Asy	1	41	C	324212	Wire Asy, Terminal	2
9	-	---	. Captive Nut	2	42	C	324208	Housing, Flex	1
10	-	---	. Rope Guide	1	43	C	324209	Clamp, Band	2
11	B	111067	Screw, 10-24 x .63 SI Torx Tp	4	44	C	324211	Cable, Throttle	1
12	B	300795	Starter Housing Asy	1	45	C	324210	Sleeve, Flex, 22mm	1
13	A	300475	. Spring/Starter Rewind	1	46	A	111061	Screw, 6-19x.62FI Hd Plast	6
14	A	300872	. Drum Rope Asy	1	47	C	324217	Sleeve, Flex, 9mm	1
15	B	323131	. Rope, Starter	1	48	B	218643	Screw, Tr 8-16x.5 Torx	1
16	B	224710	. Kit, Starter Housing	1	49	A	300297	Washer, .19 ID x .68 OD	1
17	-	---	. Rope Guide	1	50	C	323429	Switch, Rocker	1
18	A	322176	① Washer, .2 ID x 7/8 in. OD	3	51	B	324219	Clamp, Arm	2
19	A	300294	① Screw, 8-16 x .75 Tr Hd Plastite	3	52	C	100882	Screw, Hx 1/4-20x.75	2
20	A	216792	Handle, Starter	1	53	B	218644	Screw, Tr 10-14x.75 Torx	2
1	B	218941	Washer, Nylon	1	54	A	100352	Washer, 10 PI	2
22	B	322435	Cover, Rope	2	55	C	324202	Cushion, Back	1
23	A	300294	Screw, 8-16 x .75 Tr Hd Plastite	4	56	C	111304	Rivet, Ribbed 14.5	6
24	A	300294	Screw, 8-16 x .75 Tr Hd Plastite	3	57	B	324203	Harness, Torso	1
25	C	324201	Frame, Back	1	58	C	324225	Clamp, Cable 9/16	1
26	C	100882	Screw, Hx 1/4-20x.75	4	59	A	300294	Screw, 8-16x.75 Tr Hd Plast	1
27	B	110990	Washer, .275x.680x.060	4	60	B	218644	Screw, Tr 10-14x.75 Torx	1
28	C	324218	Spring, Isolator	3	61	A	93469	Washer, .469 OD - .222 ID	1
29	C	111306	Nut, 1/4-20 Type U	3	62	-	302867	Bracket, Isolator, Upper	1
30	C	100882	Screw, Hx 1/4-20x.75	2	63	-	---	. Guide, Rope	1
31	B	216646	Washer, Pl .250 ID	2	64	C	100882	Screw, Hx 1/4-20x.75	1
32	A	217943	Screw, Skt 1/4x20x1.0T	2	65	B	216646	Washer, Pl .25 ID	1
33	B	110990	Washer, .275x.68x.06	4	66	B	302746	Knob, Screw Asy	1
					67	-	Figure 1	POWERHEAD ASY	1

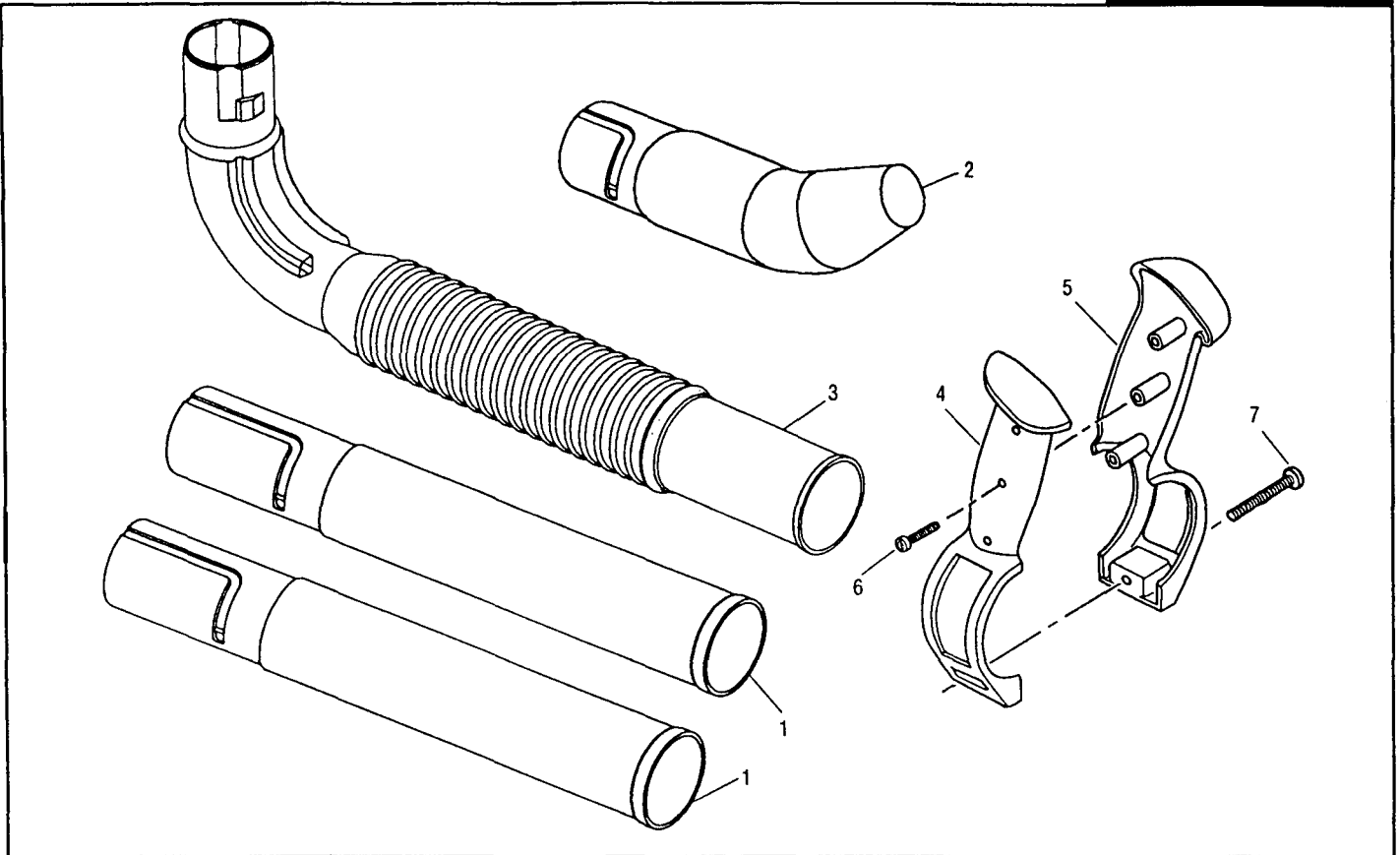
① Appears on units produced before 8/98.

## SPECIFICATIONS

Engine Type	Air-cooled, two cycle, single cylinder
Displacement	32.4cc (2.0 ci)
Bore	1.42 in. (38mm)
Stroke	1.12 in. (28.6mm)
Maximum HP	1.3
Idle RPM	3000 - 3500
Compression after 10 pulls, throttle full open	90 lb/sq.in.
Ignition	Solid State / Electronic
Flywheel to Ignition Gap	0.007 to 0.012 in. (0.178 to 0.304mm)
Spark Plug	RDJ8J or DJ8J
Spark Plug Gap	0.025 in. (0.63mm)
Fuel Tank Capacity	24 oz (71 cl)
Running Time	60 minutes
Air Volume	425 CFM
Air Velocity	180 MPH
Fuel to Oil Ratio	40:1 with McCulloch Custom Lubricant
Dry Weight	15.5 lbs (5.7 kg)
Carburetor	Diaphragm with Choke and Primer
Starter Cord	Nylon, Type 3.5, Length 46 in. (117cm)

# BLOWER TUBES

# FIGURE 3



ITEM NO.	STK CODE	PART NUMBER	DESCRIPTION	UNITS PER ASY
1	C	324221	Tube, Air	2
2	C	324222	Nozzle, Concentrator Outlet	1
3	C	324220	Elbow, Flex Tube	1
4	B	324223	Handle, Tube, RH	1

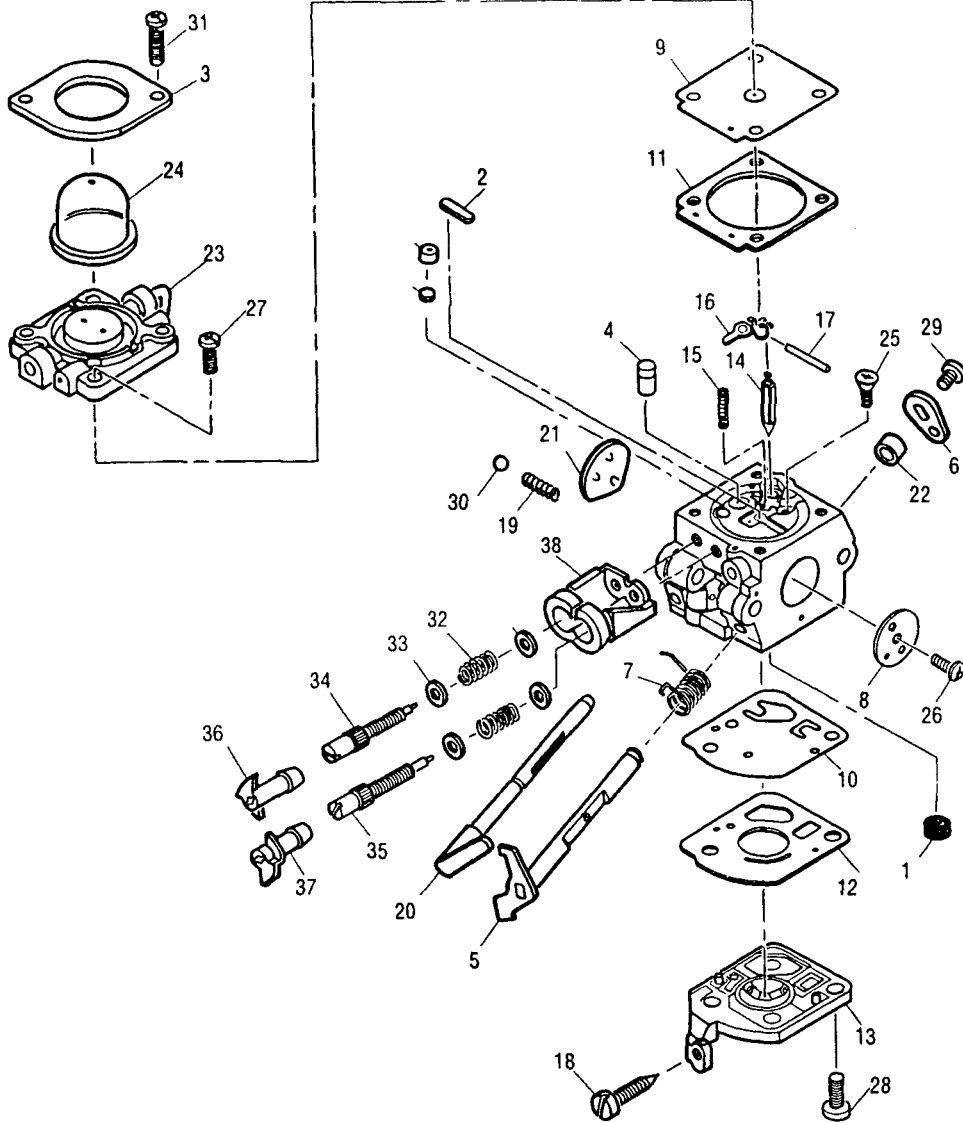
ITEM NO.	STK CODE	PART NUMBER	DESCRIPTION	UNITS PER ASY
5	B	324224	Handle, Tube, LH	1
6	A	111061	Screw, 6-19x.62FI Hd Plast	3
7	B	111179	Screw, 12-14x1.5 Torx	1

# TORQUE SPECIFICATIONS

DESCRIPTION	FASTENER	QTY	FIG/ITEM NO.	TORQUE (in.lbs)	LOCTITE
Muffler to Cylinder	111159 10-24 x 2.25 Taptite	2	1 / 1	55 - 60	272
Air Cover to Air Box	300294 8-16 x .75 Plastite	2	1 / 7	15 - 20	--
Air Box Plate to Carb Manifold	218083 10-24 x 2	2	1 / 12	25 - 35	--
Throttle cable to Carb Manifold	111226 10-24 x 6.25	1	1 / 19	15 - 20	242
Carb Manifold to Cylinder	111203 10-24 x .875	2	1 / 20	55 - 60	--
Flywheel to Crankshaft	111085 7/16 - 20 Hex Nut	1	1 / 33	170 - 180	272
Ignition Module to Eng Shroud	111203 10-24 x .875	2	1 / 35	45 - 50	272
Engine Shroud to C'case	111067 10-24 x .625 Taptite	3	1 / 42	55 - 60	272
C'case to Cylinder	111065 10-24 x .688	4	1 / 51	55 - 60	272
Cylinder Cover to Inner Housing	300294 8-16 x .75 Plastite	3	1 / 56	15 - 20	--
Cylinder Cover to C'case	218644 10 - 14 x .750 Plastite	1	1 / 57	15 - 20	--
Spark Plug	92879 RDJ8J (DJ8J)	1	1 / 58	140 - 150	--
C'case Plate to C'case	111065 10-24 x .688 Taptite	4	1 / 63	40 - 45	272
Washer to Impeller	110961 5/16 Hex Nut	1	2 / 3	60 - 80	--
Outer Housing to Inner Housing	300294 8-16 x .75 Plastite	8	2 / 7	15 - 20	--
Rope Cover to Inner Housing	300294 8-16 x .75 Plastite	4	2 / 23	15 - 20	--
Starter Housing to Inner Housing	300294 8-16 x .75 Plastite	3	2 / 24	15 - 20	--

**FIGURE 4**

**CARBURETOR ASSEMBLY**



ITEM NO.	STK CODE	PART NUMBER	DESCRIPTION	UNITS PER ASY	ITEM NO.	STK CODE	PART NUMBER	DESCRIPTION	UNITS PER ASY
	B	322410-01	Carburetor - Zama C1U-M35A	1	22	---	---	. Collar	1
1	---	①	. Strainer	1	23	---	---	. Base Asy, Primer	1
	---	①	. Plug, Welch	1	24	A	223756	. Primer Bulb	1
3	---	---	. Retainer, Prime	1	25	---	---	. Screw, Pin	1
4	---	---	. Nozzle Asy, Check Valve	1	26	---	---	. Screw, Throttle Valve	1
5	---	---	. Shaft Asy, Throttle	1	27	---	---	. Screw, Metering Cover	2
6	---	---	. Lever, Throttle	1	28	---	---	. Screw, Pump Cover	2
7	---	---	. Spring, Throttle Return	1	29	---	---	. Screw, Throttle Lever	1
8	---	---	. Valve, Throttle	1	30	---	---	. Ball, Steel	1
9	---	①②	. Diaphragm Asy, Metering	1	31	---	---	. Screw, Retainer	2
10	---	①②	. Diaphragm, Pump	1	32	---	---	. Spring, Adjust Screw	1
11	---	①②	. Gasket, Metering Chamber	1	33	---	---	. Washer, Limiter	1
12	---	①②	. Gasket, Pump	1	34	---	---	. Screw, Hi Speed	1
13	---	---	. Cover, Pump	1	35	---	---	. Screw, Low Speed	1
14	---	①	. Valve, Inlet Needle	1	36	B	111216	. Limiter Cap, High, 2-Stg Red	1
15	---	①	. Spring, Metering Lever	1	37	B	111217	. Limiter Cap, Low, 2-Stg Nat	1
16	---	①	. Lever, Metering	1	38	---	---	. Retainer, Limiter	1
17	---	①	. Pin	1					
18	---	---	. Screw, Throttle Adjust	1	①	224711	Kit, Major Repair (RB-29)		
19	---	---	. Spring, Friction	1	②	300472	Kit, Gasket/Diaphragm (GND-12)		
20	---	---	. Shaft Asy, Choke	1					
21	---	---	. Valve, Choke	1					