



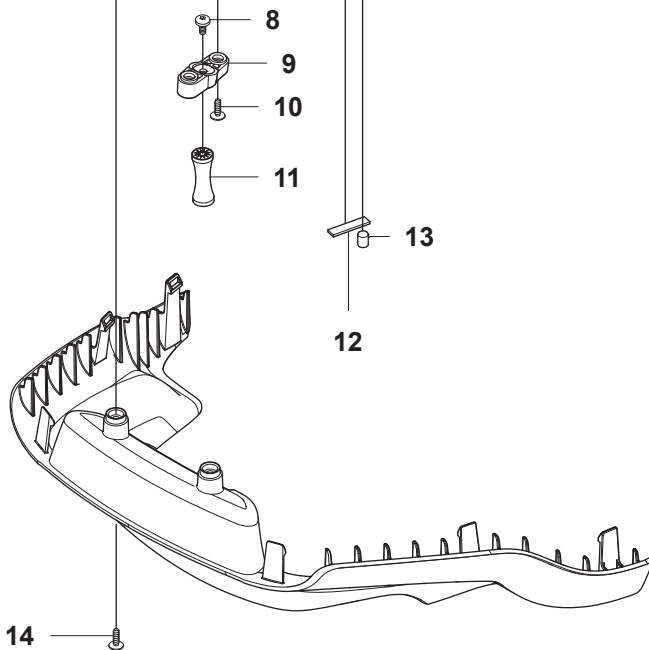
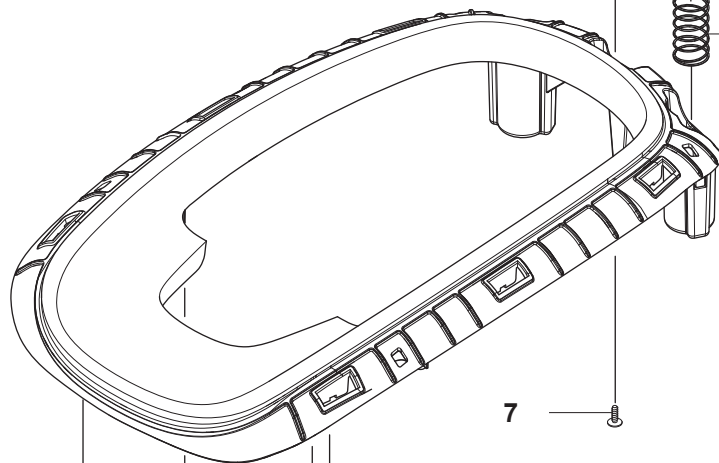
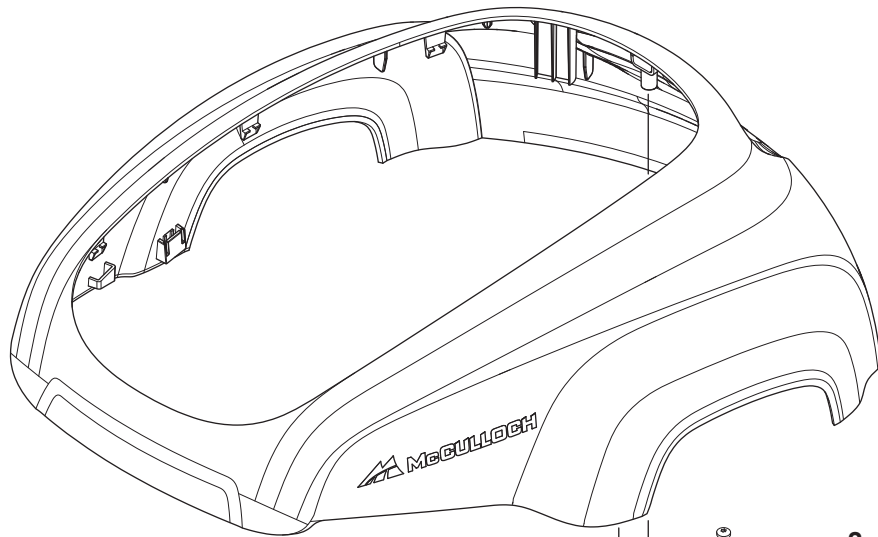
IPL, McCulloch Robotic Lawn Mower Rob R600/Rob R1000,2017-01

ROB R600/ROB R1000

2017

Spare parts
Ersatzteile
Pièces détachées
Reserve onderdelen
Repuestos
Reservdelar

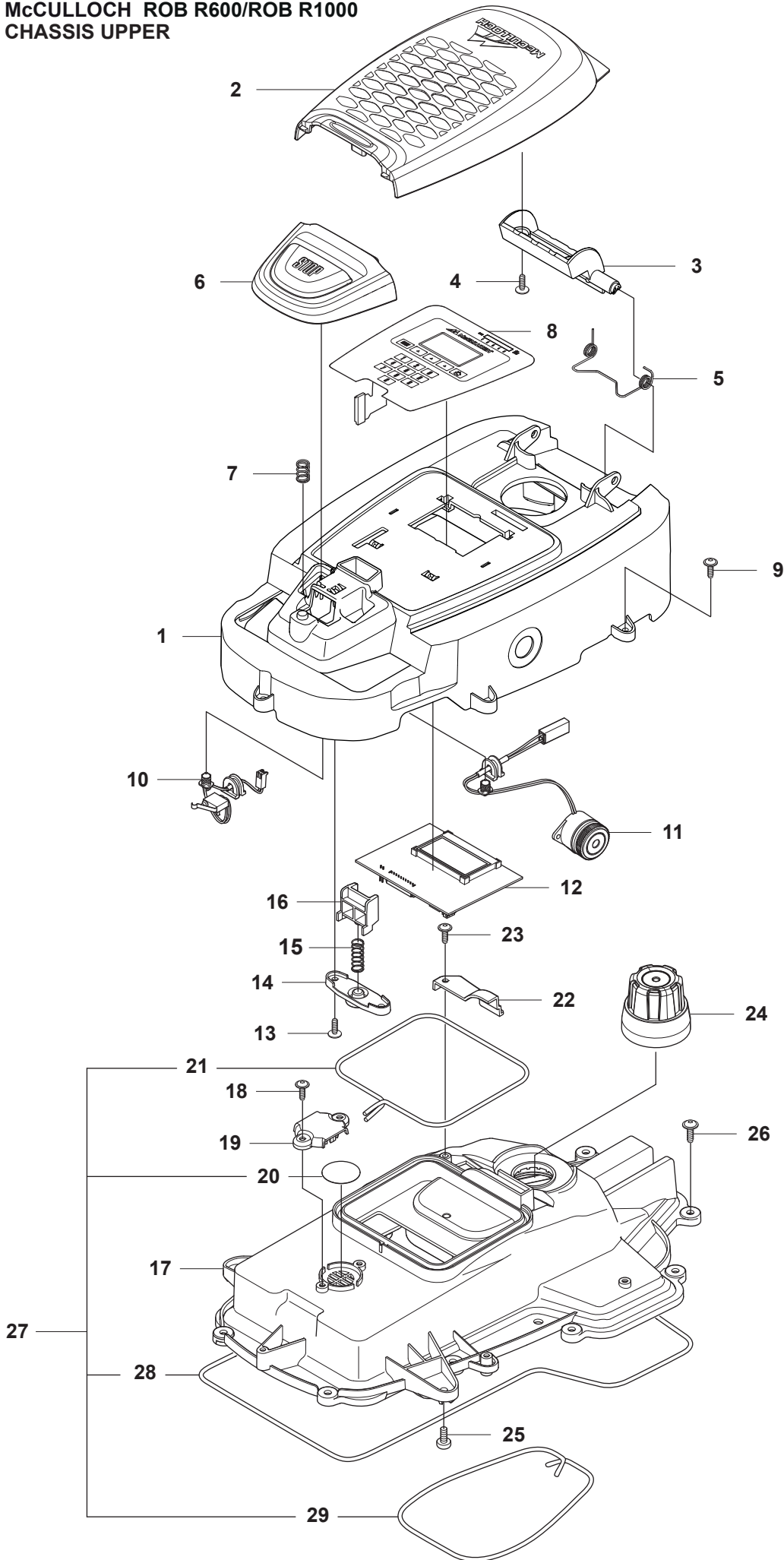
A McCULLOCH ROB R600/ROB R1000
COVER



1

Position	Article	Quantity	Notes	Kit / Assy
1	583 79 97-01	1	Body assy.	
2	576 21 39-01	2	Screw	1
3	574 46 90-02	2	Bracket, Lift Sensor	1
4	574 46 91-02	2	Rubber Damper	1
5	574 48 51-02	2	Spring, Lift Sensor	1
6	576 18 32-01	1	Magnet, Lift Sensor	1
7	575 54 33-14	3	Screw, Grey (14 mm)	1
8	576 21 39-01	2	Screw	1
9	575 41 60-02	2	Support Clamp	1
10	575 54 33-14	4	Screw, Grey (14 mm)	1
11	574 46 91-02	2	Rubber Damper	1
12	576 03 01-01	1	Plate, Collision Sensor	1
13	576 18 33-01	1	Magnet, Collision Sensor	1
14	575 54 33-10	2	Screw, Grey	1

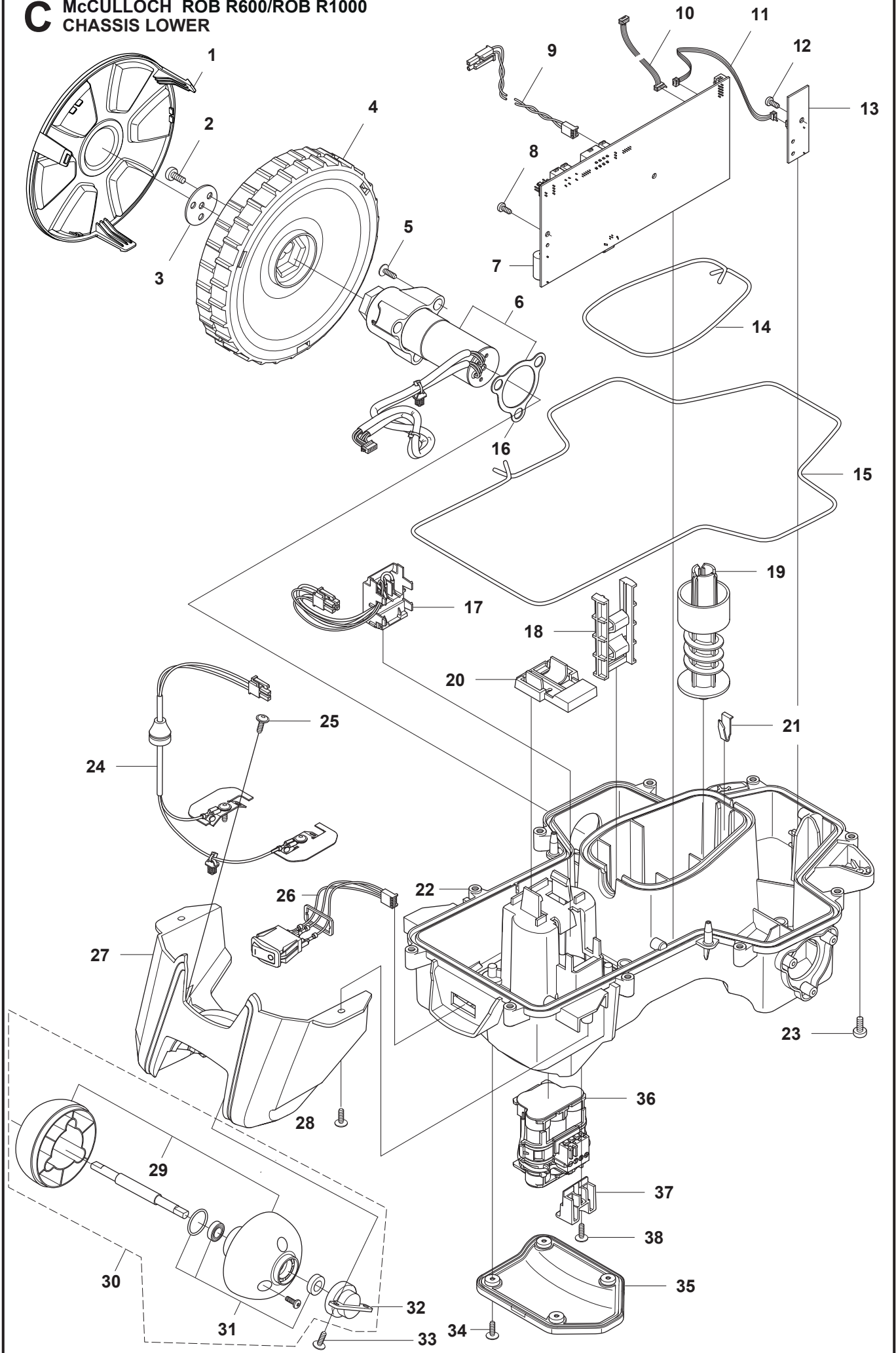
B McCULLOCH ROB R600/ROB R1000
CHASSIS UPPER



PAGE B McCulloch Rob R600/R1000 CHASSIS UPPER

Position	Article	Quantity	Notes	Kit / Assy
1	579 39 19-03	1	Display Cover KIT incl. Sealing & Keyboard	
2	501 92 58-01	1	Cover, Height Adjustment	
3	577 70 78 01	1	Hinge, Height Adjustment Lid	
4	575 54 33-14	2	Screw, Grey (14 mm)	
5	578 44 52-01	1	Spring, Height Adjustment Lid	
6	501 92 57-01	1	Stop Button	
7	574 48 70-01	1	Spring, Stop Button	
8	582 10 61-01	1	Keyboard	1
9	575 54 33-14	5	Screw, Grey (14 mm)	
10	574 48 03-01	1	Micro Switch, Stop Button	
11	574 47 59-01	1	Buzzer, Display Cover	
12	588 44 19-01	1	Display/MMI, Circuit Board	
13	575 54 33-14	2	Screw, Grey (14 mm)	
14	575 41 58-01	1	Spring Holder, Stop Button	
15	576 24 22-01	1	Spring Lock, Stop Button	
16	575 40 90-01	1	Lock, Stop Button	
17	579 39 20-02	1	Chassis Upper KIT incl. Sealing & Air Filter	
18	575 54 33-14	2	Screw, Grey (14 mm)	
19	576 69 70-01	1	Cover, Air Filter	
20	577 75 37-01	1	Air Filter KIT (10 pcs)	
21	574 87 47-04	1	Sealing Strip (1 pcs, Ø4 mm)	
22	576 05 39-01	1	Cover, Height Indicator	
23	575 54 33-14	1	Screw, Grey (14 mm)	
24	589 77 29-01	1	Knob, Height Adjustment Assy incl. Knob & Sticker	
25	576 21 39-01	2	Screw	
26	574 45 01-01	10	Screw	
27	588 40 70-01	1	Seal KIT incl. Sealing Strip Chassis (1 pcs), Sealing Strip Short (2 pcs), Air Filter (1 pcs)	
28	574 87 47-03	1	Sealing Strip, Chassis (1 pcs, Ø4 mm)	
29	574 87 47-04	1	Sealing Strip (1 pcs, Ø4 mm)	

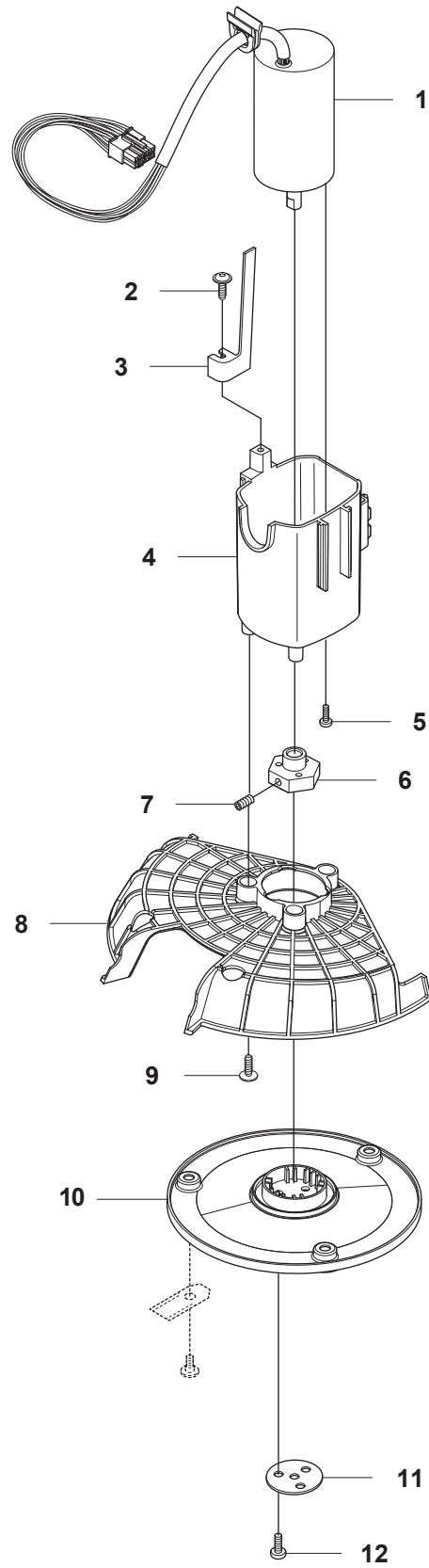
**C McCULLOCH ROB R600/ROB R1000
CHASSIS LOWER**



PAGE C McCulloch Rob R600/R1000 CHASSIS LOWER

Position	Article	Quantity	Notes	Kit / Assy
1	577 70 79-02	2	Hub Cap, Drive Wheel	
2	576 21 39-02	6	Screw	
3	577 09 32-01	2	Washer, Drive Wheel	
4	574 46 51-04	2	Wheel, Drive Wheel	
5	575 54 33-14	6	Screw, Grey (14 mm)	
6	577 83 99-04	2	Wheel Motor KIT incl. Sealing	
7	588 62 88-03	1	Main Circuit Board (MCB)	
8	535 13 03-10	2	Screw (10 mm)	
9	576 22 02-01	1	Loom, Buzzer Extension	
10	588 83 27-01	1	Loom, Display	
11	588 90 12-01	1	Loom, Loop and Lift Sensor	
12	535 13 03-10	1	Screw (10 mm)	
13	588 57 21-01	1	PCB Sensor Board	
14	574 87 47-04	1	Sealing Strip (1 pcs, Ø4 mm)	
15	574 87 47-03	1	Sealing Strip, Chassis (1 pcs, Ø4 mm)	
16	574 37 37-01	2	Sealing/Gasket, Motor Flange	6
17	574 47 98-01	1	Loom, Li-Ion Battery	
18	574 50 19-01	2	Guide Rail, Motor Bowl	
19	574 48 46-01	1	Height Adjustment Screw	
20	575 40 82-01	1	Lock, Battery Plug	
21	577 10 32-01	1	Locking Spring	
22	577 84 62-03	1	Chassis Lower KIT, incl. Sealing	
23	576 21 39-01	2	Screw	
24	588 95 09-02	1	Loom, Charge Plate	
25	575 54 33-14	2	Screw, Grey (14 mm)	
26	579 70 87-01	1	Swith ON/OFF With Seal	
27	574 46 72-02	1	Housing, Rear Wheel	
28	575 54 33-14	3	Screw, Grey (14 mm)	
29	583 85 39-02	1	Rear Wheel KIT	30
30	578 27 51-03	1	Rear Wheel KIT Complete	
31	578 27 52-01	1	Bearing (X2), Sealing (X2), O-Ring (X1)	30
32	577 71 50-01	2	Bearing Housing, Rear Wheel	30
33	575 54 33-14	4	Screw, Grey (14 mm)	
34	574 45 01-01	4	Screw	
35	574 46 73-01	1	Cover, Battery	
36	586 57 62-01	1	Battery, Lithium 18 v	
37	582 38 61-01	1	Bracket	
38	575 54 33-14	1	Screw, Grey (14 mm)	

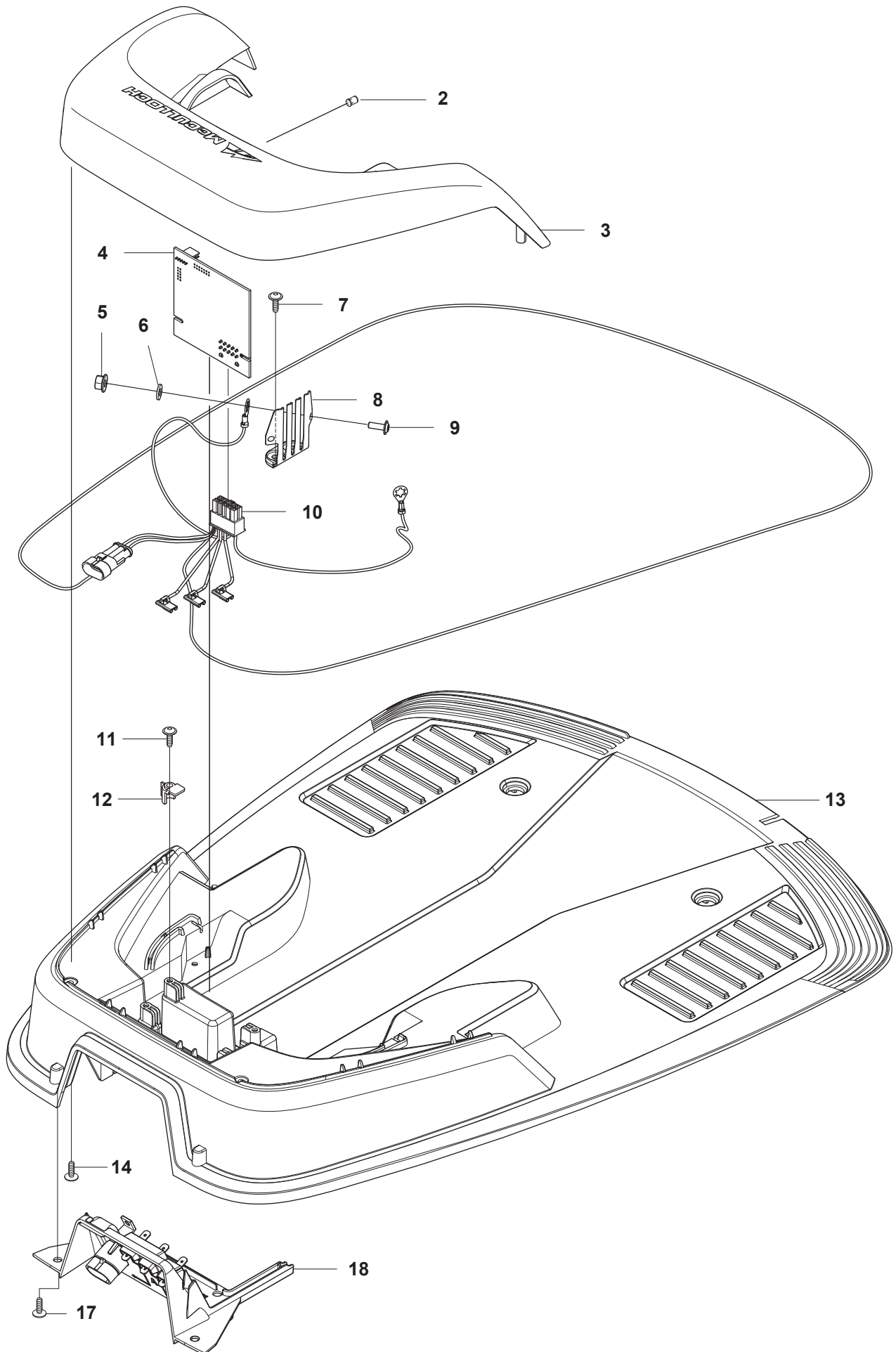
D McCULLOCH ROB R600/ROB R1000
BLADE MOTOR & CUTTING EQUIPMENT



Position	Article	Quantity	Notes	Kit / Assy
1	584 98 93-02	1	Cutting Motor	
2	575 54 33-10	1	Screw, Grey (10 mm)	
3	574 50 35-01	1	Height Indicator	
4	581 02 03-01	1	Motor Housing	
5	576 21 38-01	3	Screw M4x12	
6	574 37 35-01	1	Hub, Cutting Motor	
7	576 21 35-01	1	Stop Screw	
8	579 75 83-01	1	Guard, Cutting Disc	
9	575 54 33-14	3	Screw, Grey (14 mm)	
10	574 48 71-01	1	Cutting Disc	
11	577 09 32-01	1	Washer	
12	576 21 38-01	3	Screw	

E McCULLOCH ROB R600/ROB R1000
CHARGING SYSTEM

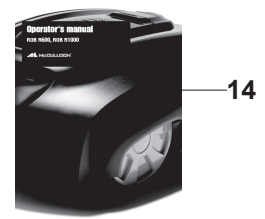
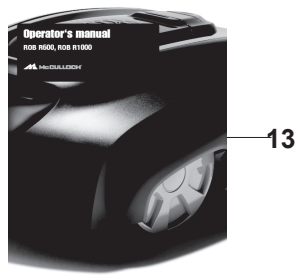
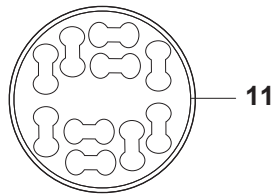
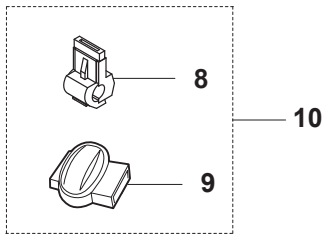
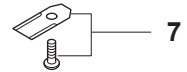
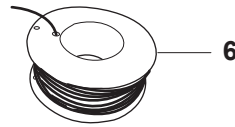
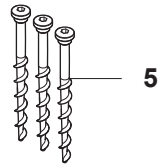
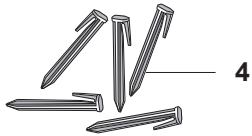
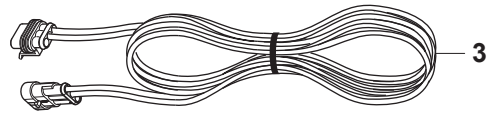
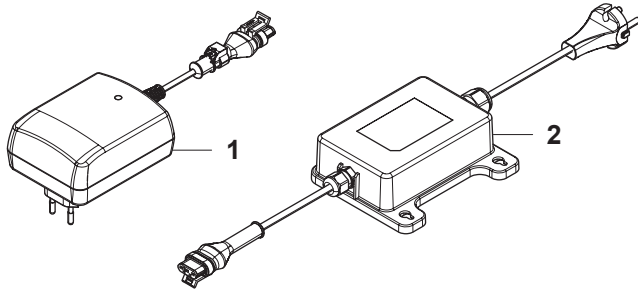
1



PAGE E McCulloch Rob R600/R1000 CHARGING STATION

Position	Article	Quantity	Notes	Kit / Assy
1	577 97 23-16	1	Charging Station, McCulloch	
2	535 12 87-02	1	Diode Lens	1
3	501 92 60-01	1	Charging Station Cover, McCulloch	1
4	582 87 62-01	1	Circuit Board, Charging Station	1
5	588 22 21-01	2	Nut Flange	1
6	535 08 74-01	2	Washer	1
7	575 54 33-14	2	Screw, Grey (14 mm)	1
8	587 12 51-01	2	Contacts, Charging Station	1
9	588 22 22-01	2	Screw	1
10	582 38 10-01	1	Loom, Charging Station	1
11	575 54 33-14	2	Screw, Grey (14 mm)	1
12	535 12 79-01	2	Bracket	1
13	581 55 19-03	1	Charging Station Base Plate	1
14	575 54 33-14	4	Screw, Grey (14 mm)	1
17	575 54 33-14	4	Screw, Grey (14 mm)	1
18	582 35 64-01	1	Guide Cover, Charging Station	1

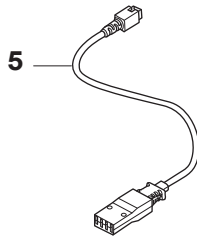
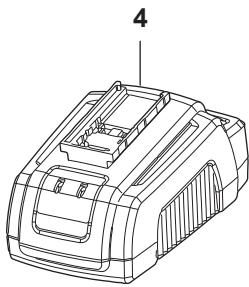
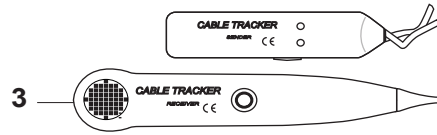
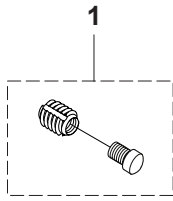
F McCULLOCH ROB R600/ROB R1000 INSTALLATION ACCESSORIES



PAGE F McCulloch Rob R600/R1000 INSTALLATION ACCESSORIES

Position	Article	Quantity	Notes	Kit / Assy
1	584 86 25-01	1	Power Supply Unit, EU	
2	584 86 26-02	1	Power Supply Unit, UK	
2	584 86 26-03	1	Power Supply Unit, CH	
2	584 86 26-04	1	Power Supply Unit, CA	
2	584 86 26-05	1	Power Supply Unit, AU-NZ	
3	579 82 51-01	1	Low Voltage Cable (20 m)	
3	579 82 51-02	1	Low Voltage Cable (10 m)	
3	579 82 51-03	1	Low Voltage Cable (3 m)	
4	589 40 26-01	1	Staples (100 pcs), McCulloch Blister Pack	
5	575 23 86-02	1	Anchor Screw (3 pcs) incl. Allen Key	
6	589 40 24-01	1	Loop Wire (150 m), McCulloch Blister Pack	
6	580 66 20-03	1	Loop Wire (200 m)	
6	580 66 20-01	1	Loop Wire (250 m)	
6	580 66 20-04		Loop Wire (800 m)	
7	589 40 20-01	1	Blades (9 pcs), McCulloch Blister Pack	
7	577 86 46-03	1	Long Life - Safety Blade,Husqvarna Blister Pack, 9 pcs	
7	577 60 65-05	1	Long Life - Safety Blade, 45 pcs	
7	577 60 66-04	1	Long Life - Safety Blade, 300 pcs	
8	535 12 90-01	1	Loop Wire Connector (1pcs)	10
9	501 98 02-01	1	Coupler (1pcs)	10
9	501 98 02-02	1	Coupler KIT (50pcs)	
10	589 40 25-01	1	2 Connectors+6 Couplers,McCulloch Blister Pack	
11	586 27 79-01	1	Sticker, Cable Markers (10 pcs)	
12	589 70 84-01	1	Label, Anti-Theft	
13	115 84 49-01	1	Operator's Manual, Swedish	
13	115 84 49-06	1	Operator's Manual, Danish	
13	115 84 49-11	1	Operator's Manual, Finnish	
13	115 84 49-21	1	Operator's Manual, Norwegian	
13	115 84 49-26	1	Operator's Manual, English	
13	115 84 49-31	1	Operator's Manual, French	
13	115 84 49-36	1	Operator's Manual, Dutch	
13	115 84 49-41	1	Operator's Manual, Italian	
13	115 84 49-46	1	Operator's Manual, Spanish	
13	115 84 49-51	1	Operator's Manual, German	
13	115 84 49-58	1	Operator's Manual, Hungarian	
13	115 84 49-59	1	Operator's Manual, Portuguese	
13	115 84 49-61	1	Operator's Manual, Polish	
13	115 84 49-63	1	Operator's Manual, Estonian	
13	115 84 49-64	1	Operator's Manual, Latvian	
13	115 84 49-65	1	Operator's Manual, Lithuanian	
13	115 84 49-68	1	Operator's Manual, Slovakian	
13	115 84 49-90	1	Operator's Manual, Czech	
14	115 84 42-20	1	Quick Guide DE/FR/NL/SI	
14	115 84 42-39	1	Quick Guide DE/FR/IT/EN	
14	115 84 42-50	1	Quick Guide CZ/SK/PL/HU	
14	115 84 42-40	1	Quick Guide RU/EE/LV/LT	
14	115 84 42-10	1	Quick Guide SE/NO/DK/FI	
14	115 84 42-30	1	Quick Guide ES/PT/IT/EN	

**G McCULLOCH ROB R600/ROB R1000
ACCESSORIES**



Position	Article	Quantity	Notes	Kit / Assy
1	581 16 57-01	1	Metal Insert Repair KIT (4 pcs)	
2	580 68 95-02	1	Warranty Seal 1pcs	
3	577 60 68-01	1	Loop Wire Interruption Detector	
4	588 40 84-01	1	Quick Charger with Battery Test	
5	588 20 26-01	1	Cable Quick Charger	
19	115 44 50-01	1	TECHNICAL MANUAL, Swedish	
19	115 44 50-06	1	TECHNICAL MANUAL, Danish	
19	115 44 50-11	1	TECHNICAL MANUAL, Finnish	
19	115 44 50-21	1	TECHNICAL MANUAL, Norwegian	
19	115 44 50-26	1	TECHNICAL MANUAL, English	
19	115 44 50-31	1	TECHNICAL MANUAL, French	
19	115 44 50-36	1	TECHNICAL MANUAL, Dutch	
19	115 44 50-41	1	TECHNICAL MANUAL, Italian	
19	115 44 50-46	1	TECHNICAL MANUAL, Spanish	
19	115 44 50-51	1	TECHNICAL MANUAL, German	
19	115 44 50-56	1	TECHNICAL MANUAL, Russian	
19	115 44 50-58	1	TECHNICAL MANUAL, Hungarian	
19	115 44 50-61	1	TECHNICAL MANUAL, Polish	
19	115 44 50-62	1	TECHNICAL MANUAL, Romanian	
19	115 44 50-63	1	TECHNICAL MANUAL, Estonian	
19	115 44 50-64	1	TECHNICAL MANUAL, Latvian	
19	115 44 50-65	1	TECHNICAL MANUAL, Lithuanian	
19	115 44 50-71	1	TECHNICAL MANUAL, Greek	
19	115 44 50-76	1	TECHNICAL MANUAL, Turkish	
19	115 44 50-81	1	TECHNICAL MANUAL, Croatian	
19	115 44 50-90	1	TECHNICAL MANUAL, Czech	